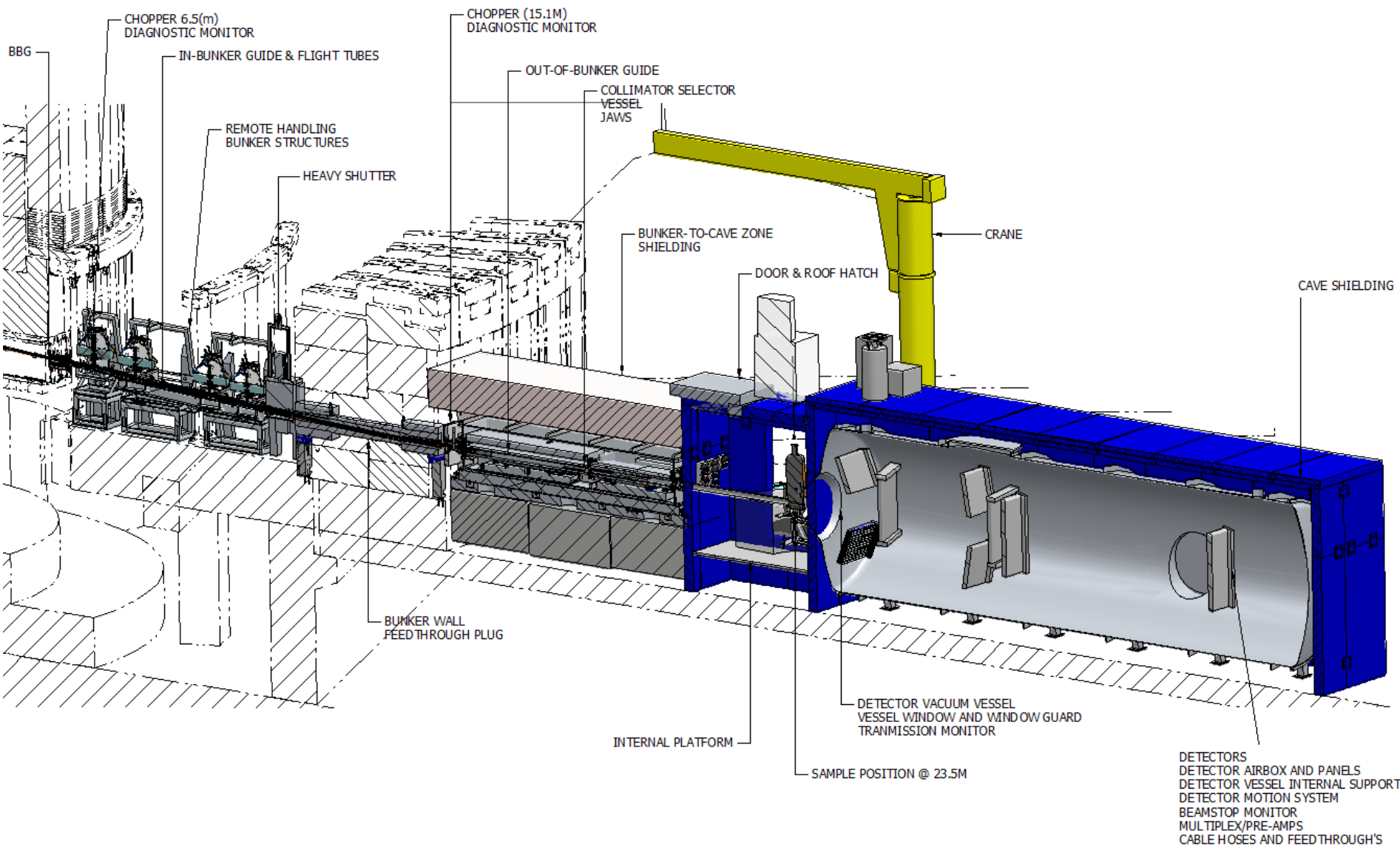




# IKON 15 Update

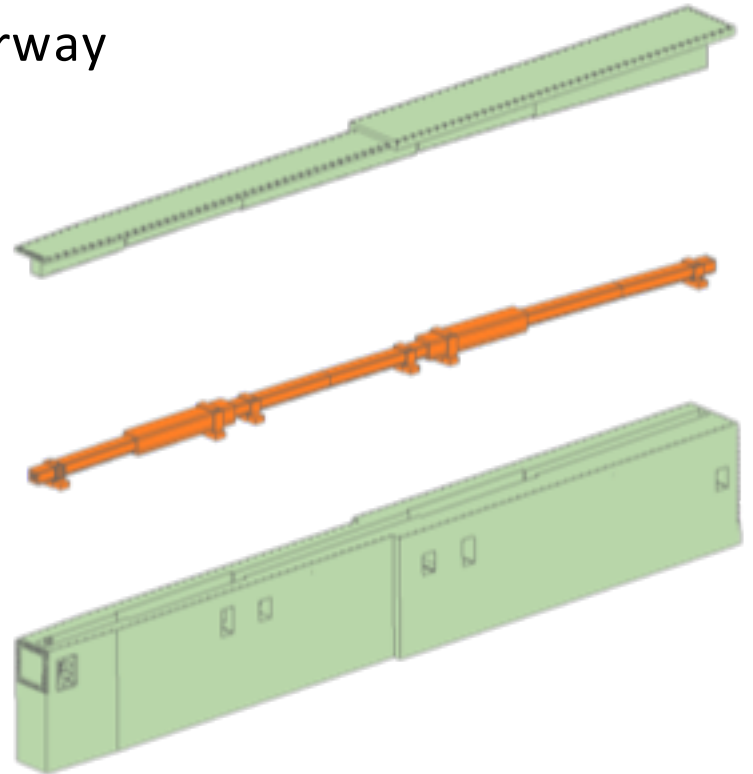
ESS-Loki

# Loki Overview



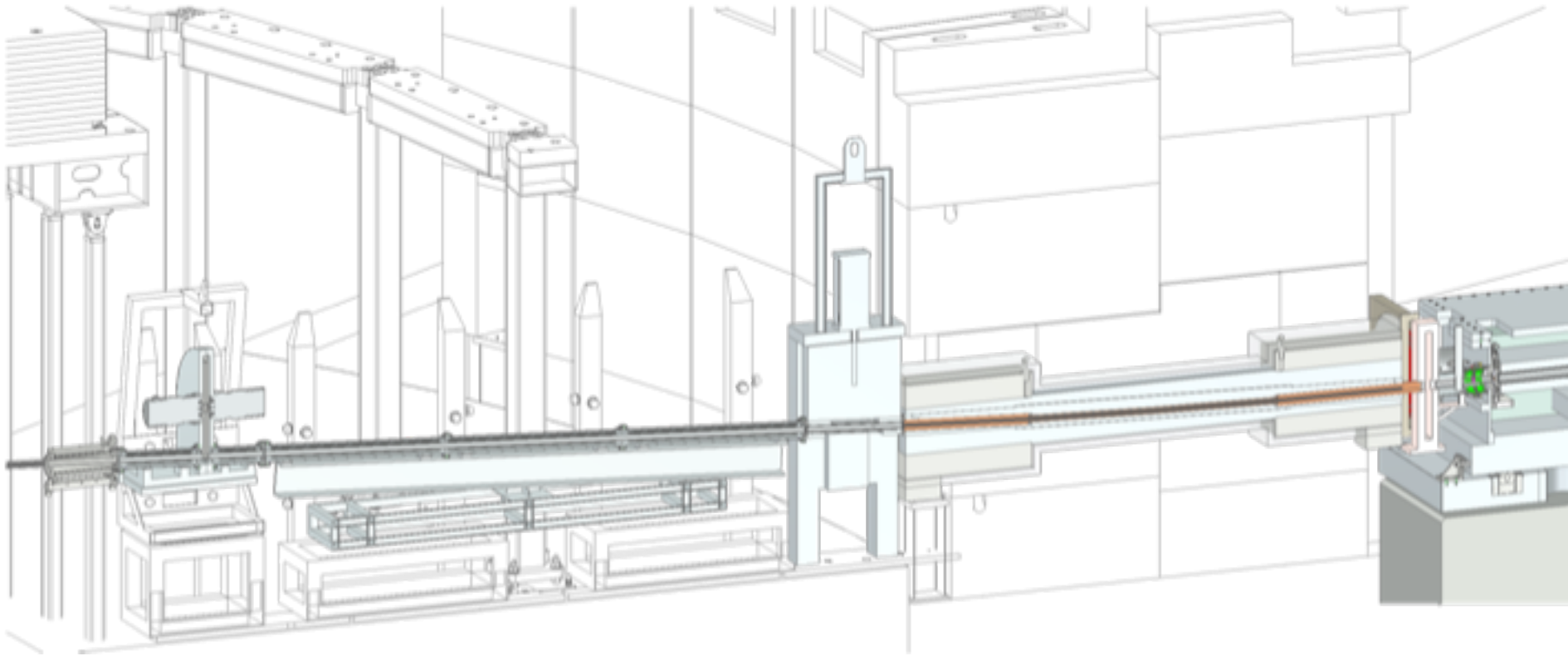
# NBOA Status

- Order placed
- Kick-off meeting with Swiss Neutronics & ESS completed
  - Included stakeholders from ESS target group
- Substrate thicknesses updated to suit manufacturing requirements of NBOA & NBPI
- Design of alignment devices underway



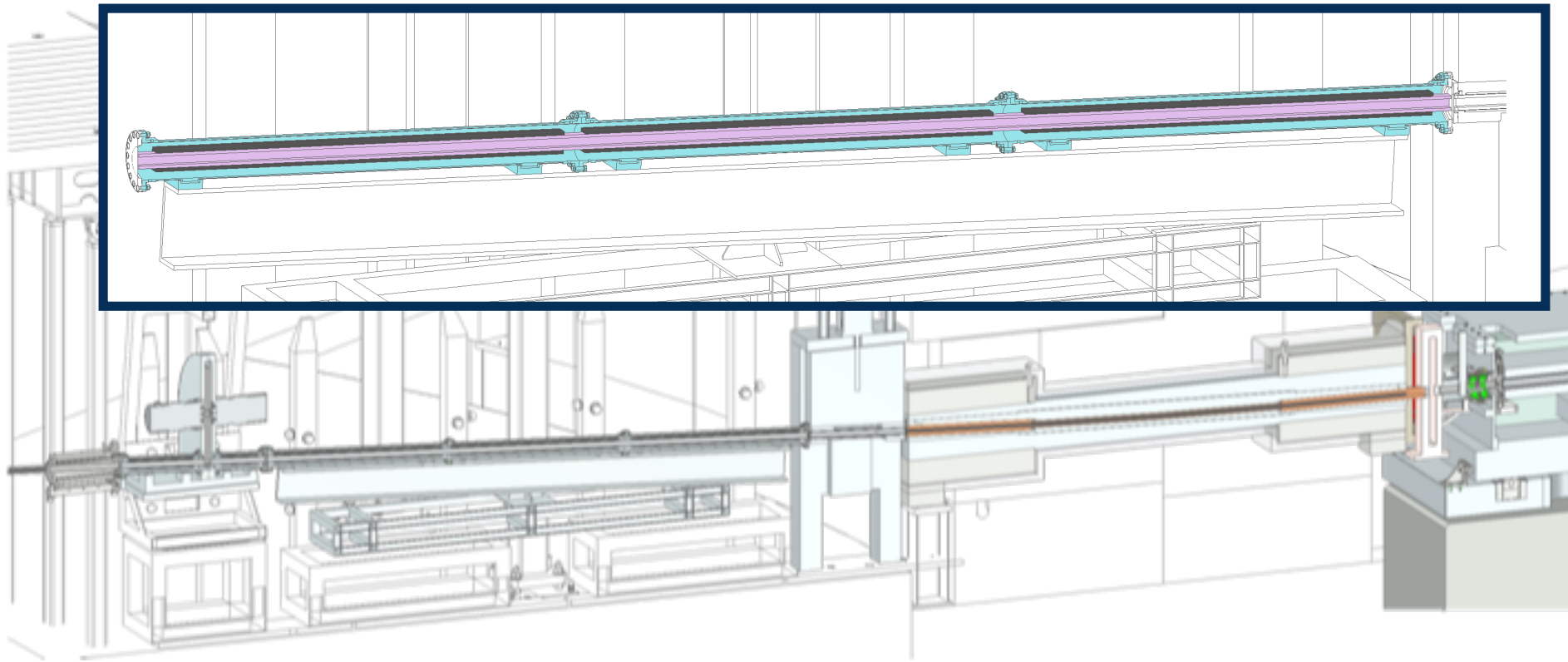
# In-Bunker Guide

- ISIS CDR completed last week
- Specification now being written
- Tender before the end of the year (OJEU)



# In-Bunker Guide

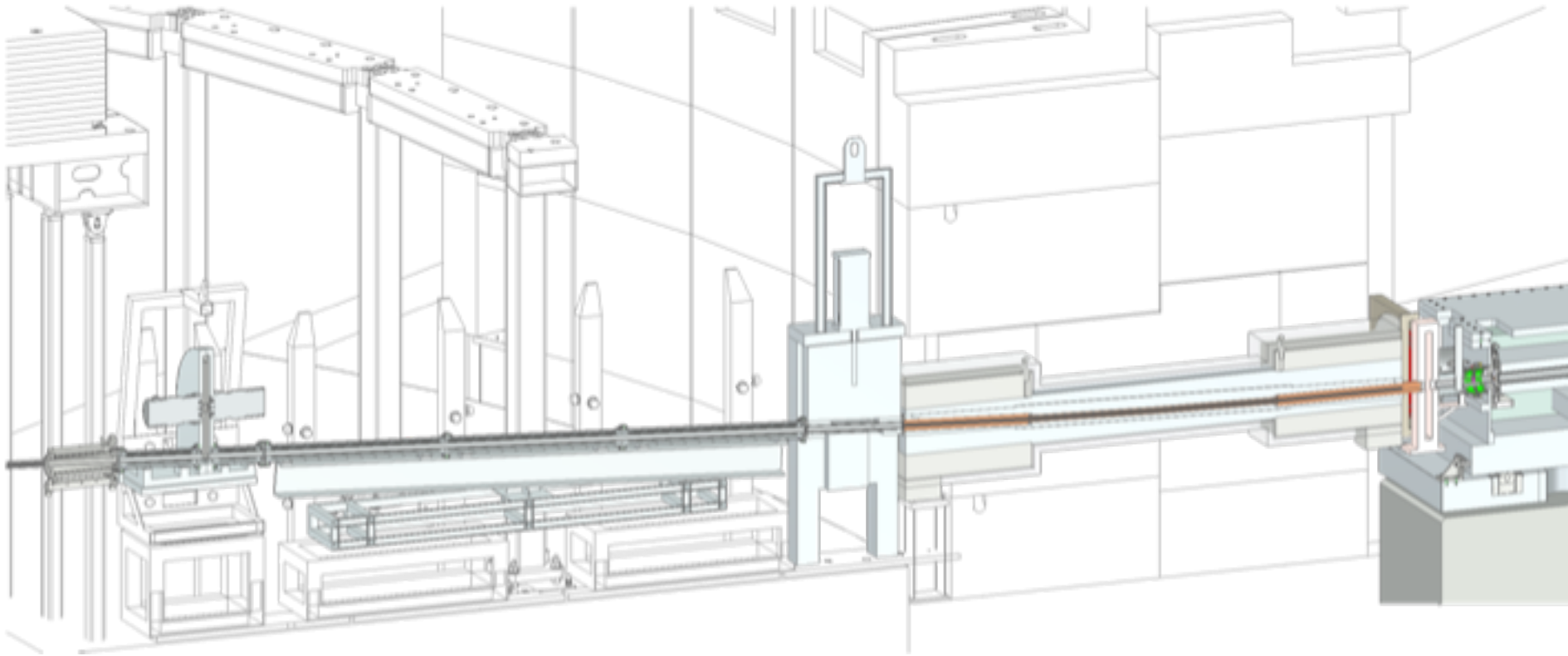
- Aluminium vacuum tube, seals & windows
- Aluminium guide substrate
- Boron Shroud
- Alignment devices to be designed by guide supplier
  - Material requirements from ESS not clear



# In-Bunker Guide

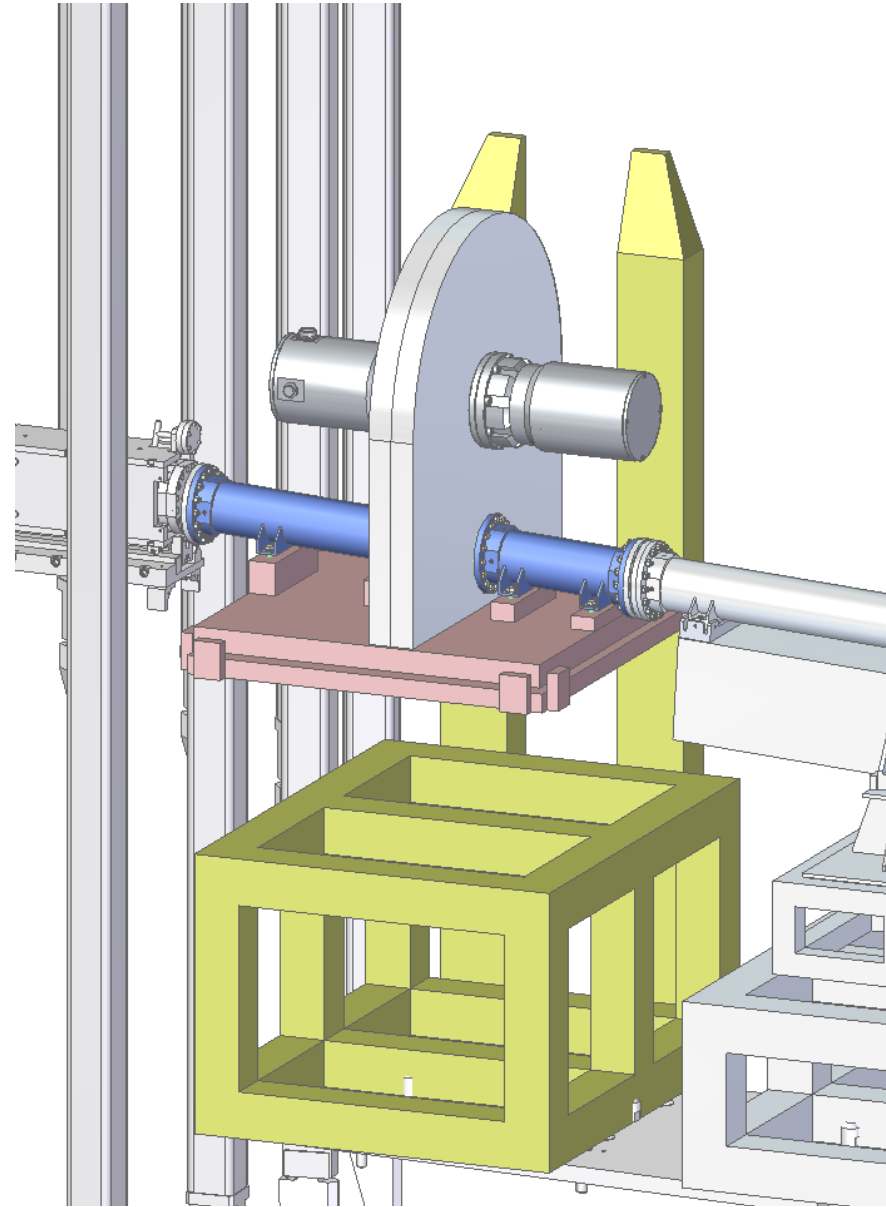
Information needed:

- Clarity regarding in-bunker materials
- Clarity regarding earthquake requirements
- Clarity regarding TG3 / call for tender review



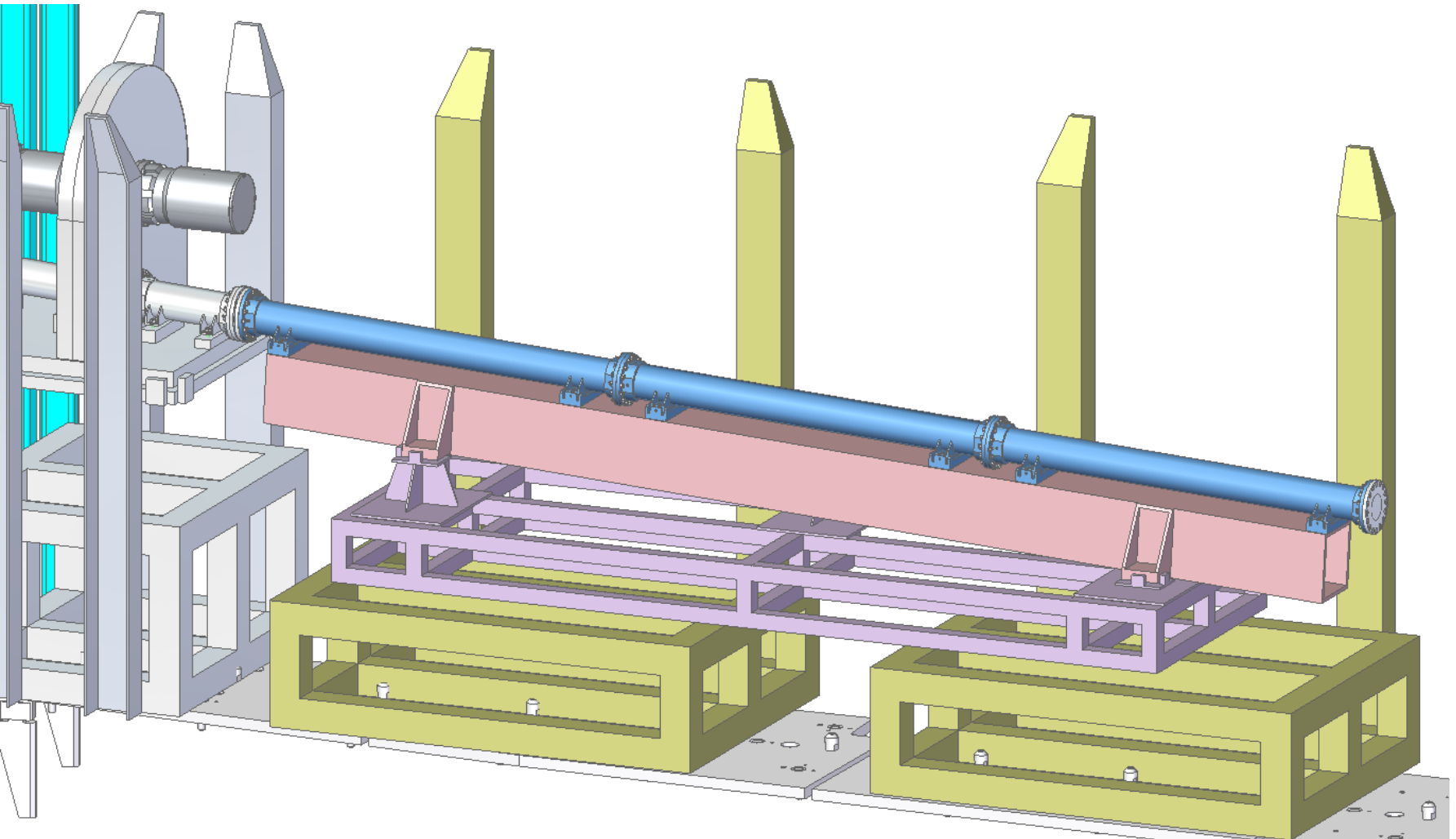
# Section 3 Design Review

- Review CAD model for further discussion



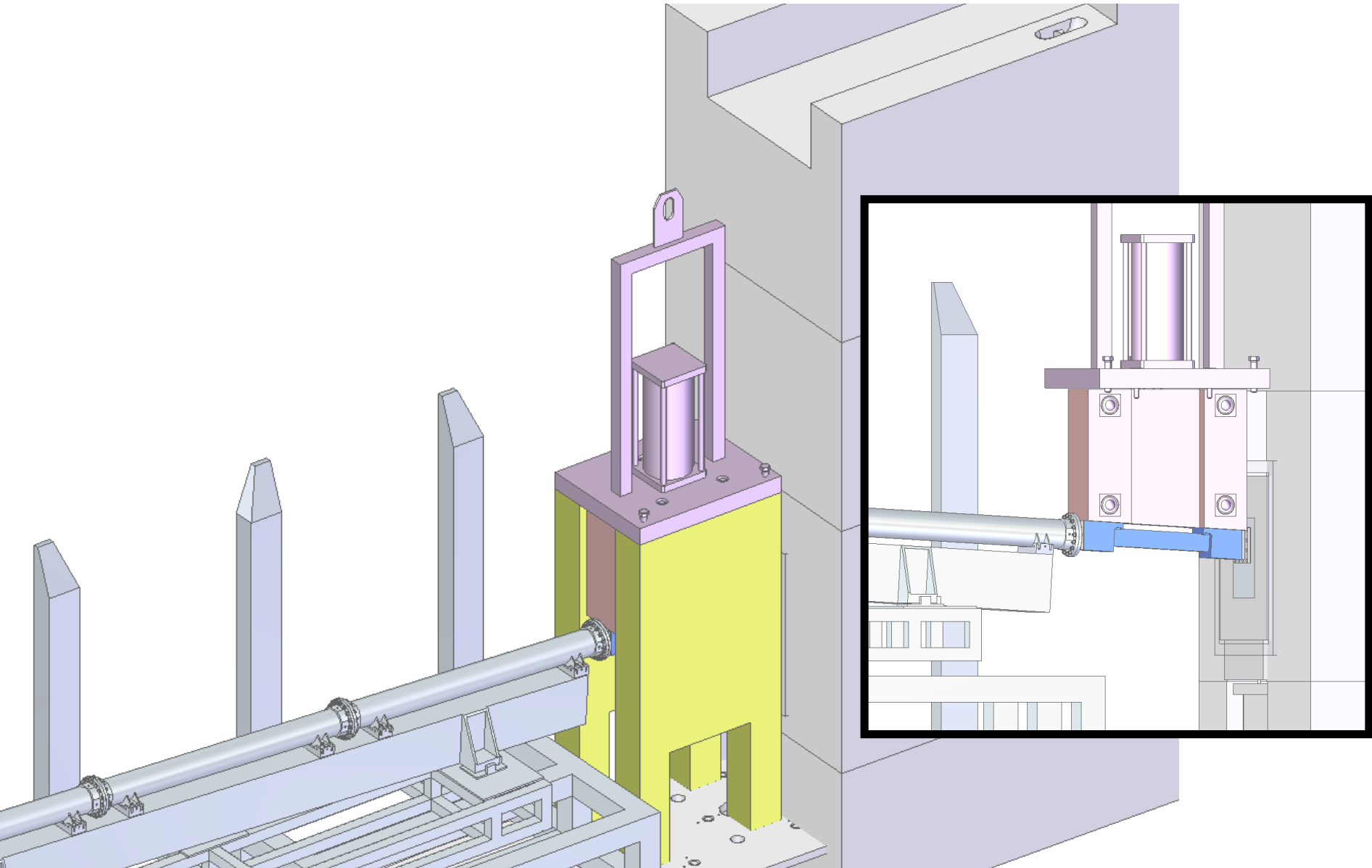
# Section 4 Design Review

Review CAD model for discussion



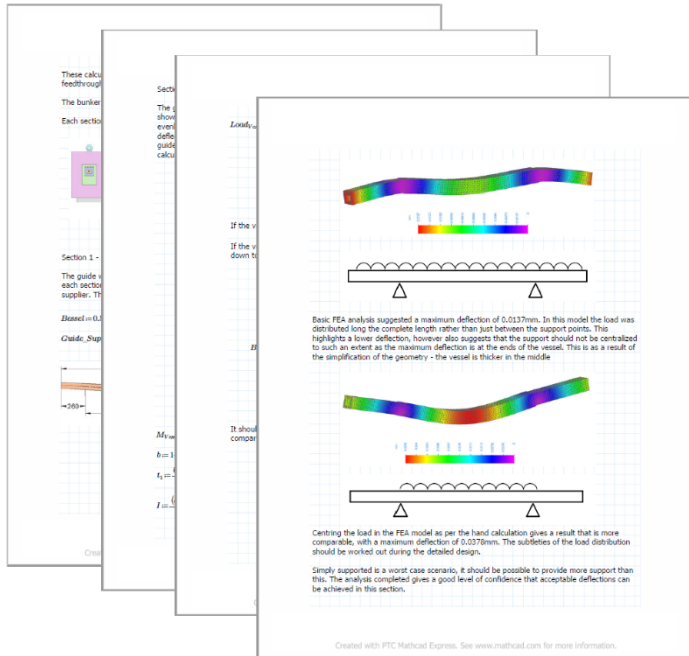
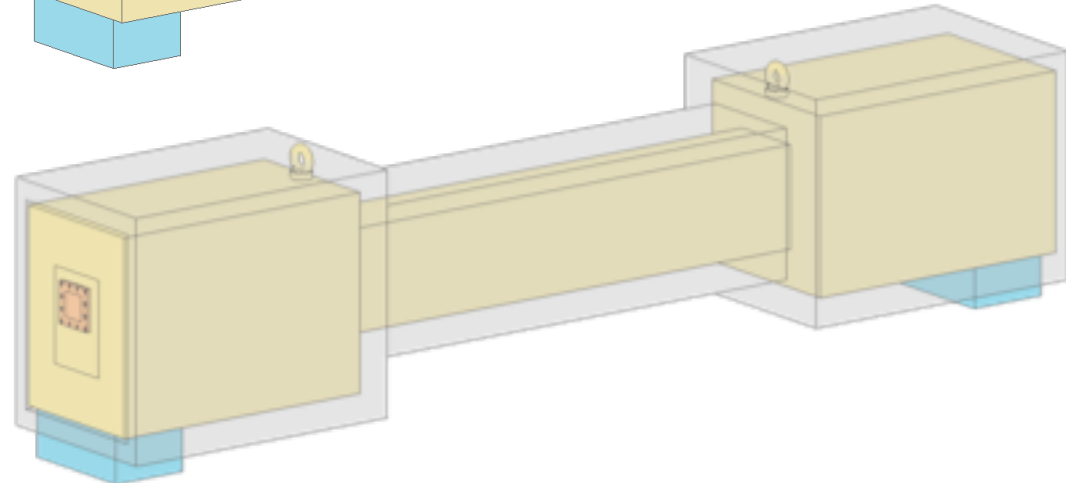
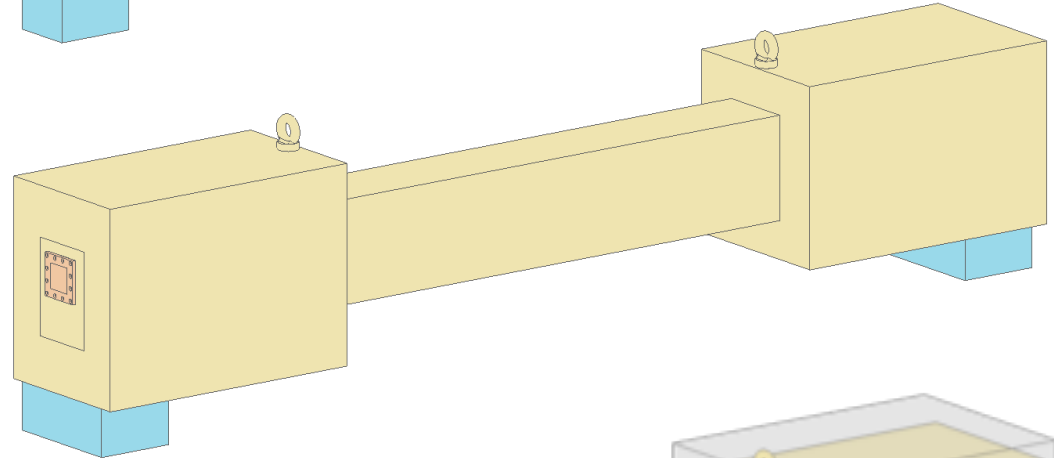
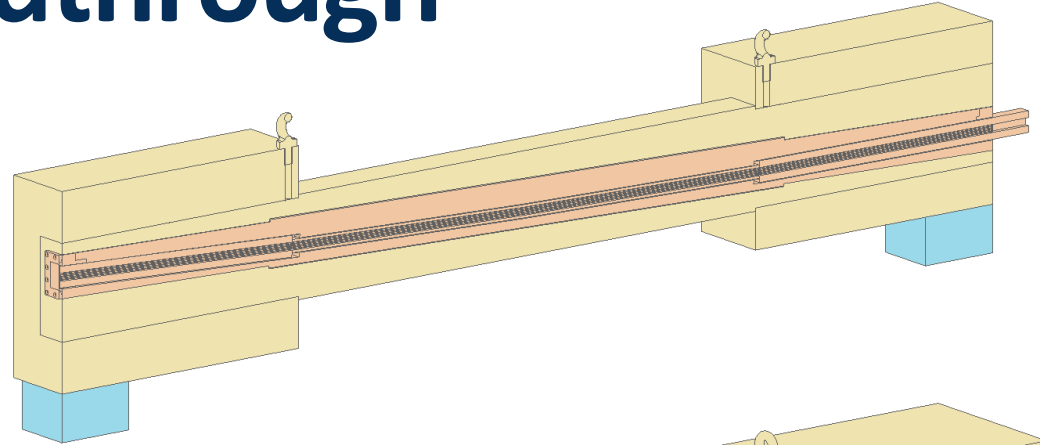


# Section 5 (Heavy Shutter) Review



# Feedthrough

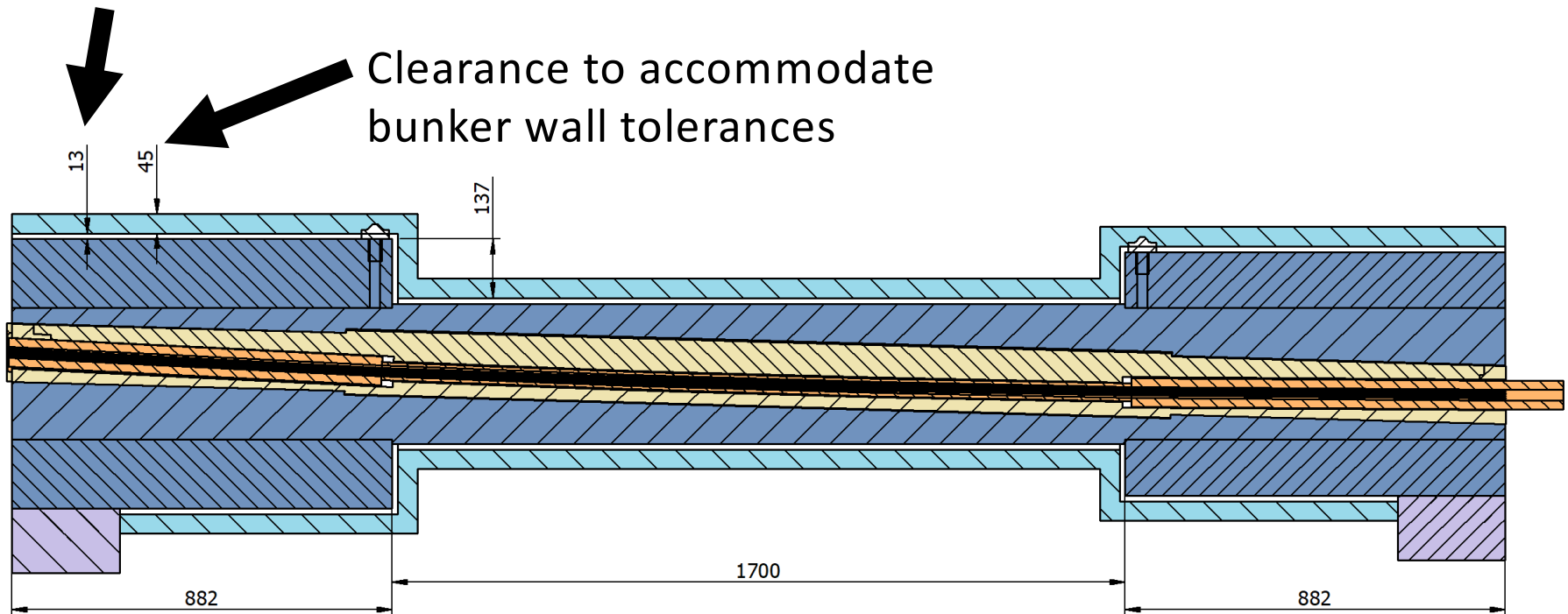
- 5 channel bender
- Guide and vessel to be tendered separately to the feedthrough plug



# Feedthrough

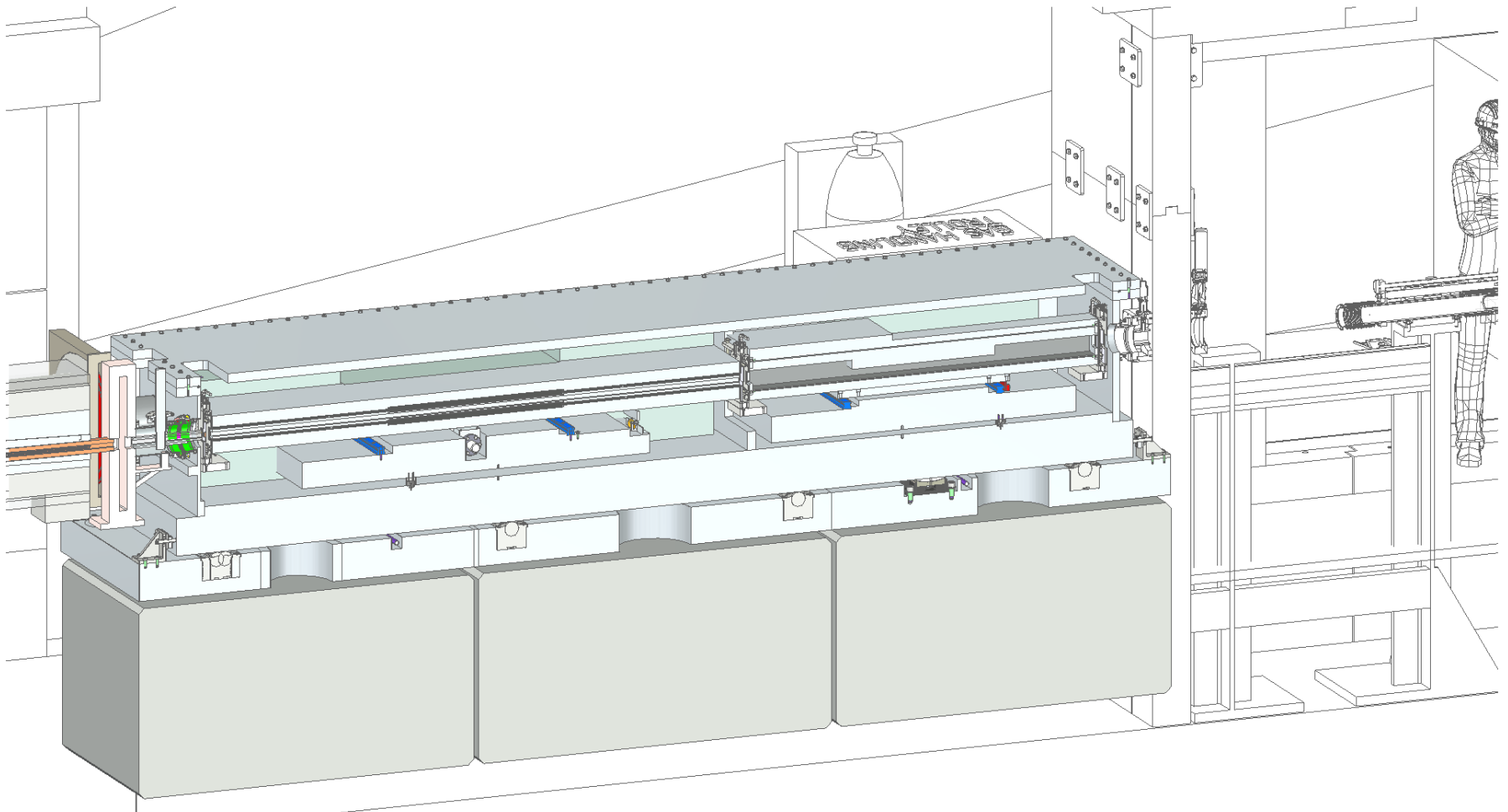
- The packing/shimming concept proposed by ESS to fill the bunker wall tolerance clearance is not seen as a viable solution

Functional clearance for alignment and installation



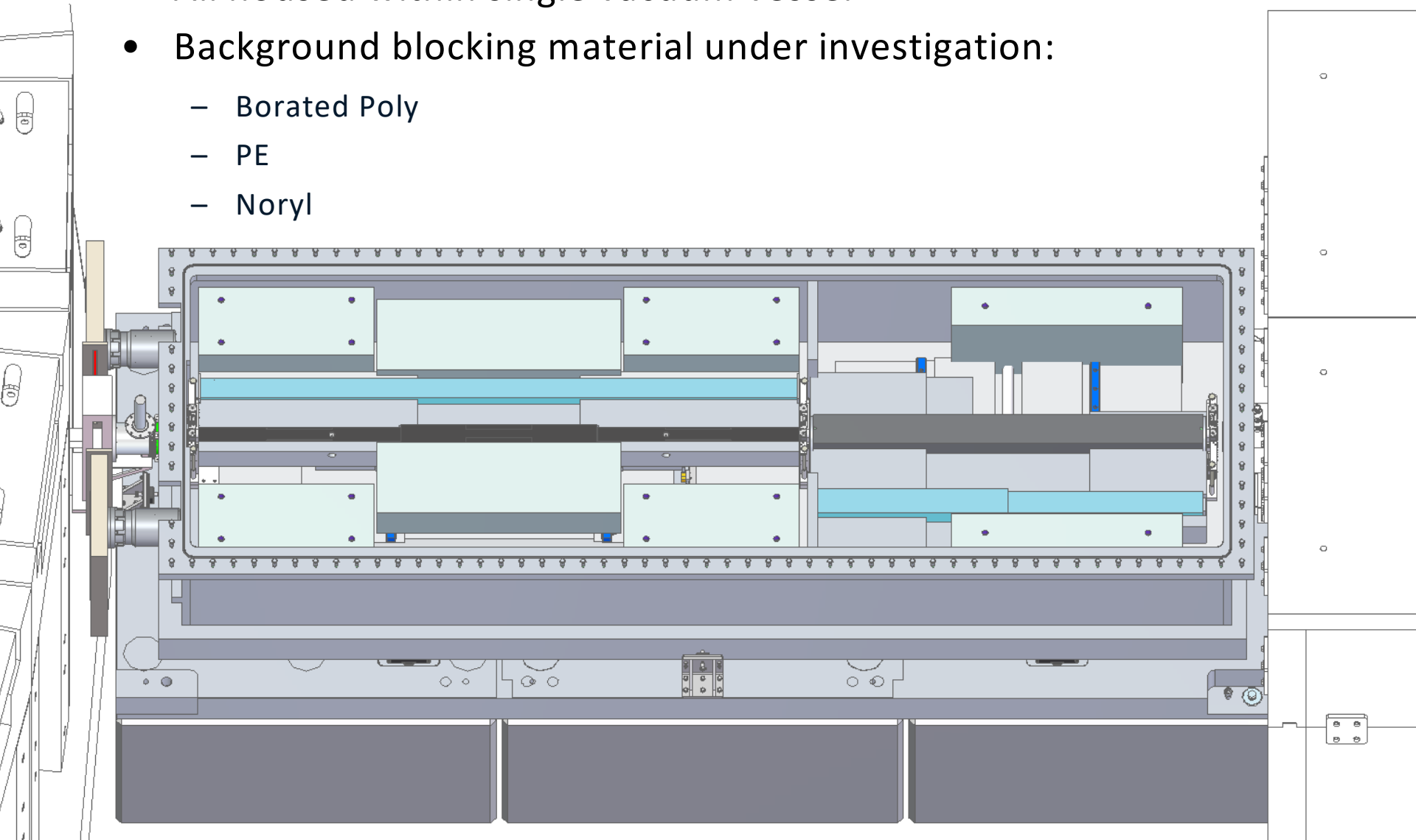
# Bunker to Cave

- ISIS CDR completed 2 weeks ago
- Vessel tender planned next year



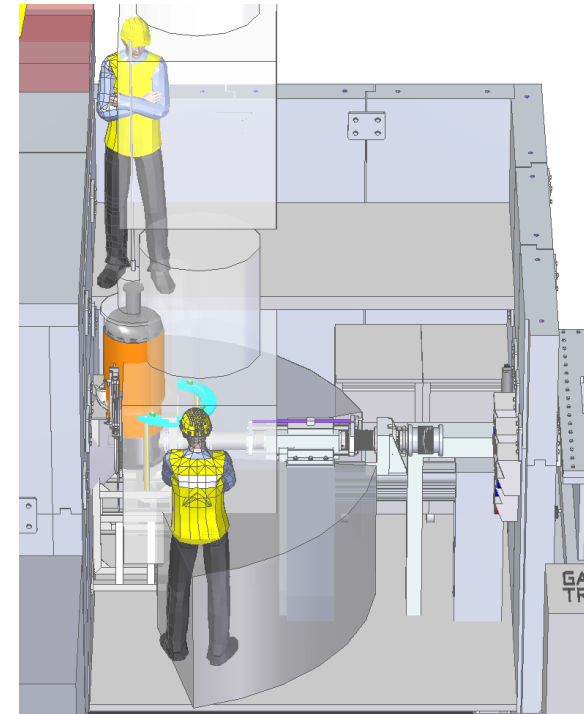
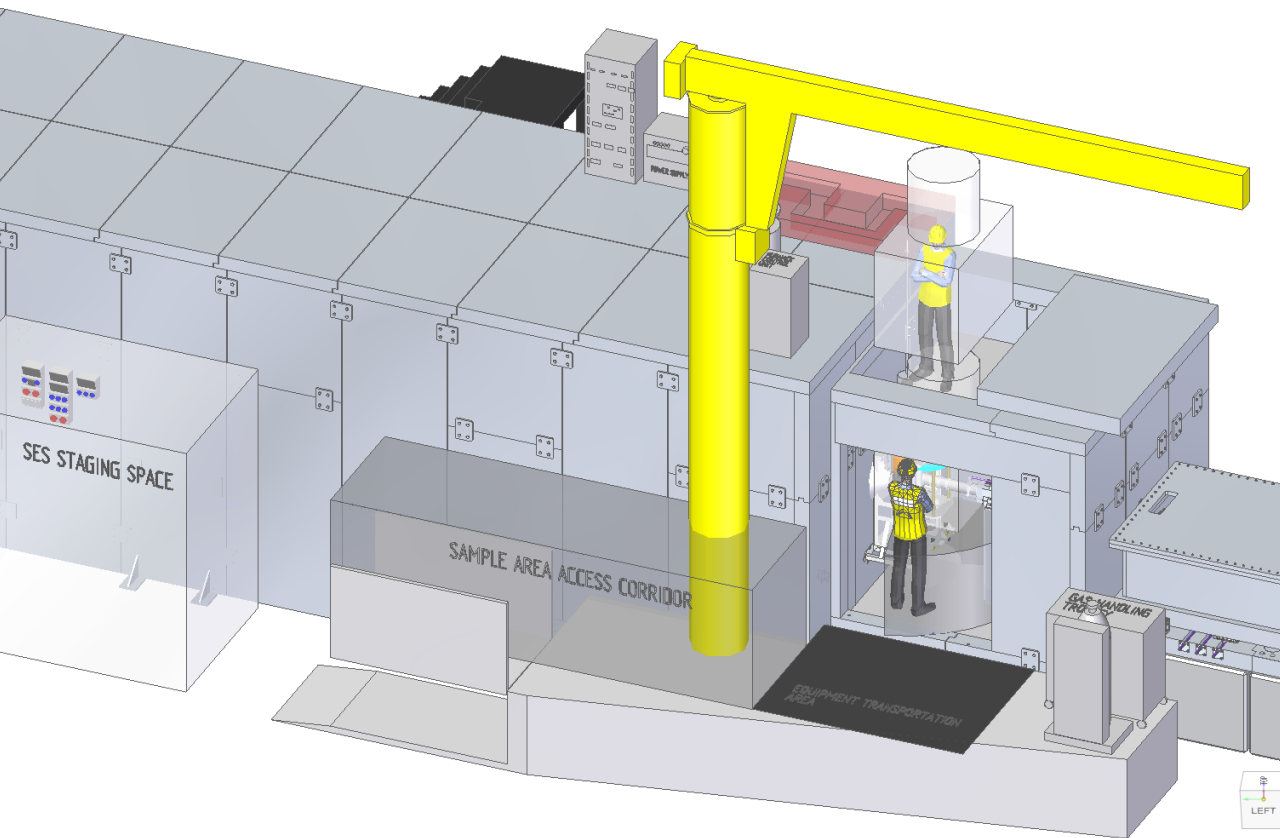
# Bunker to Cave

- All housed within single vacuum vessel
- Background blocking material under investigation:
  - Borated Poly
  - PE
  - Noryl



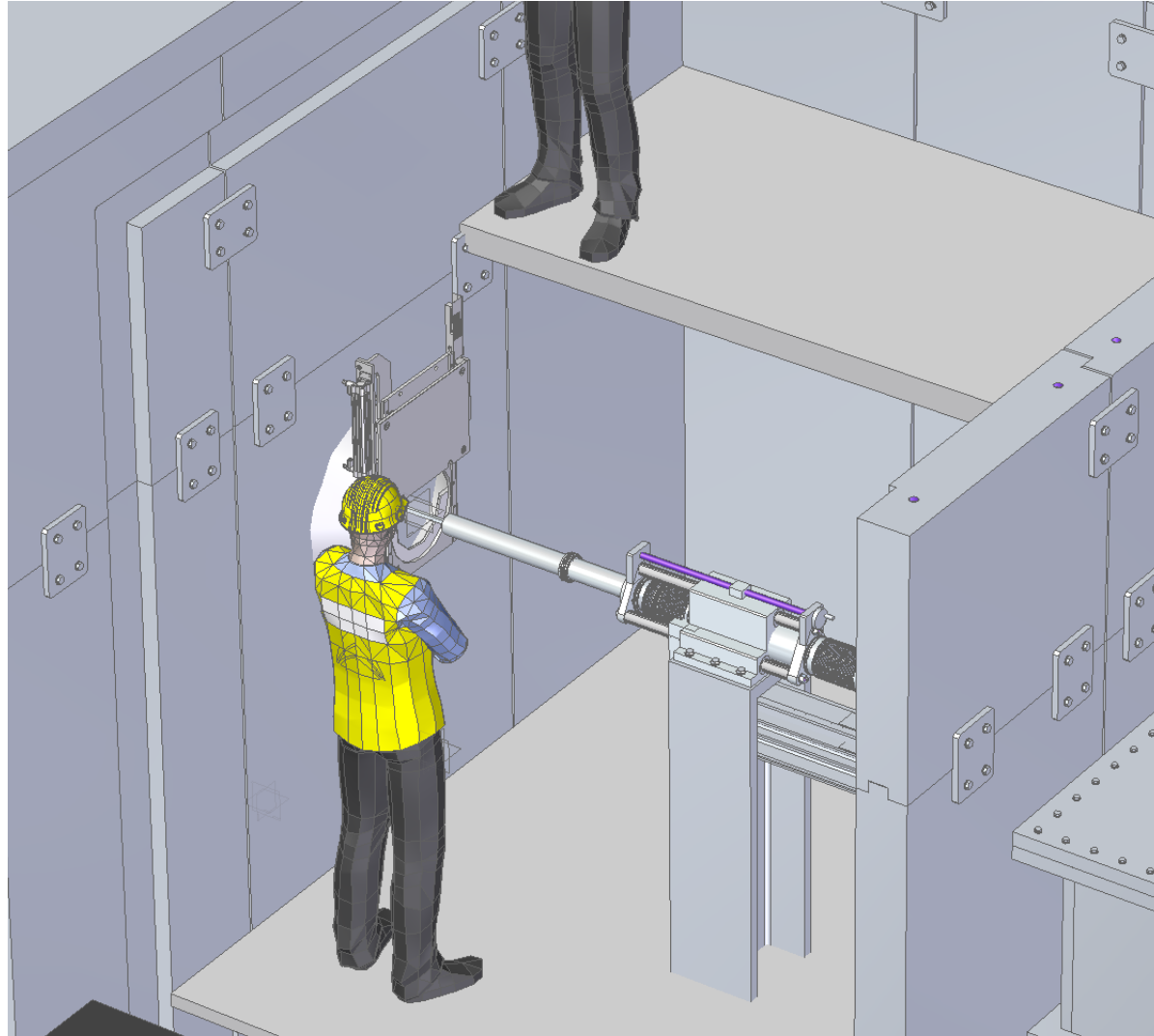
# Sample Area

- Investigation into sample area space started
  - Sample environment
  - Staging areas
  - Service panels
  - Personnel access



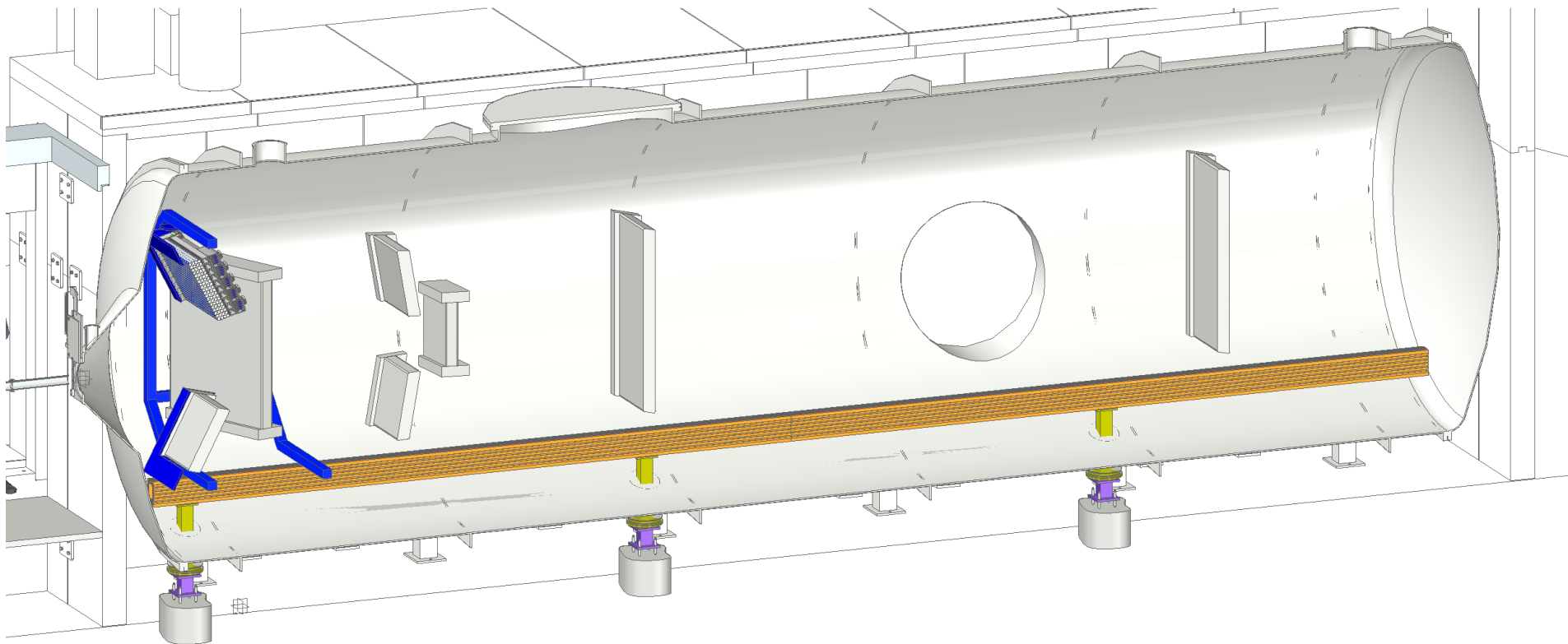
# Loki Overview

- Adjustable length snout concept work started



# Detector System

- Detector technology now chose – Straw Tubes
  - Final development phase now underway
  - Detector vessel to be tendered at the start of the new year (OJEU)







# Loki Update

- Questions

