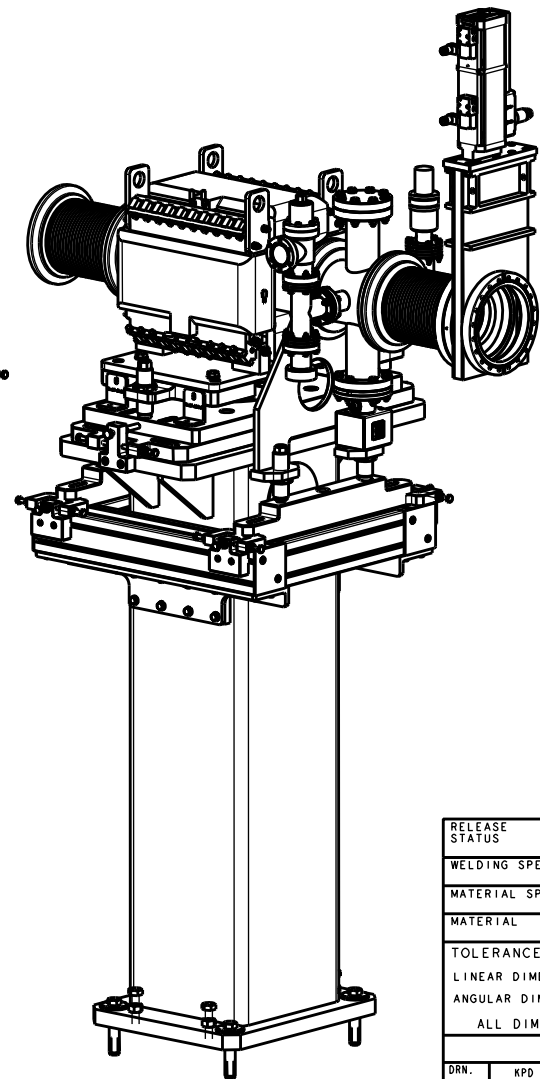
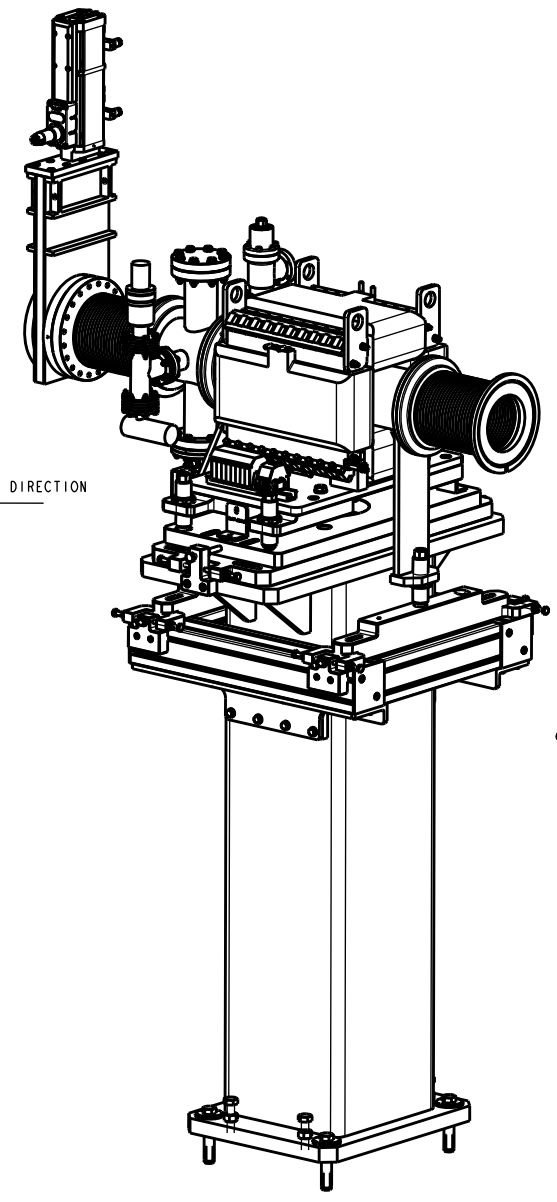
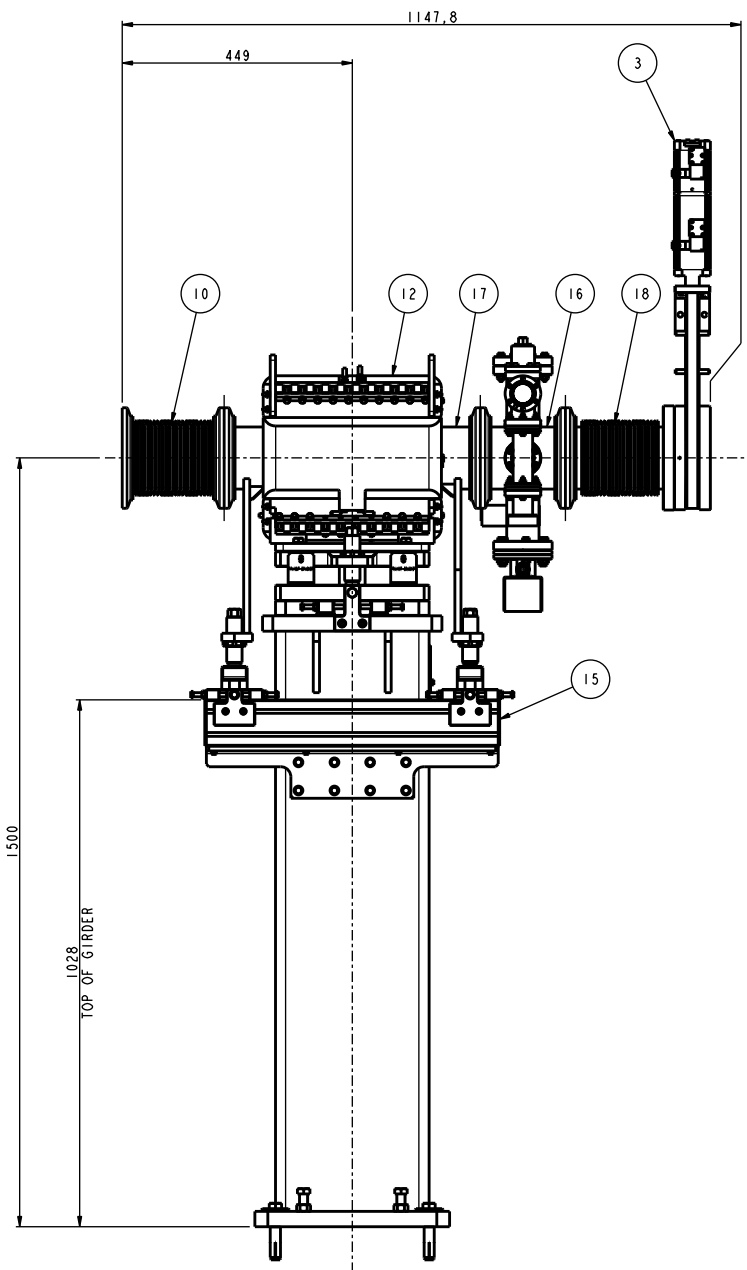
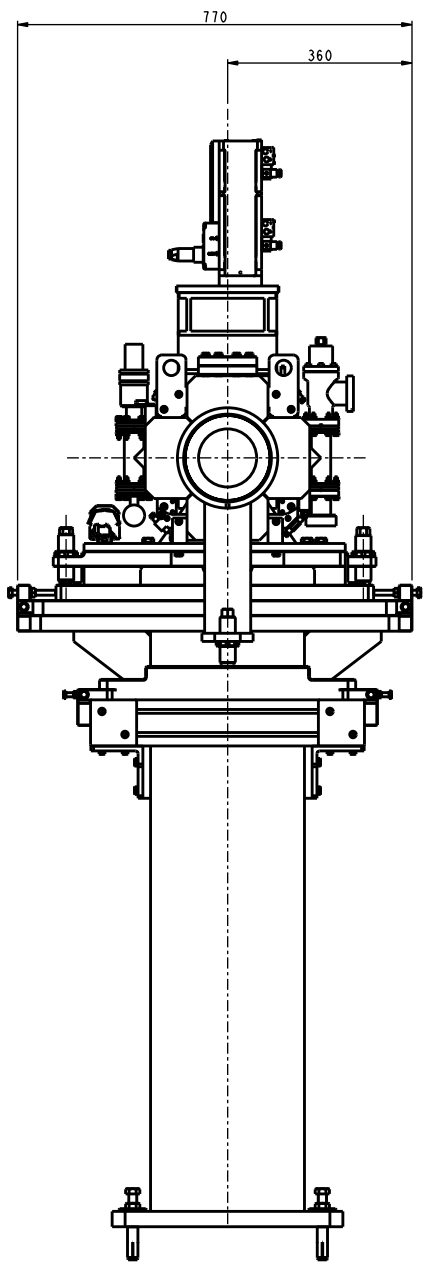
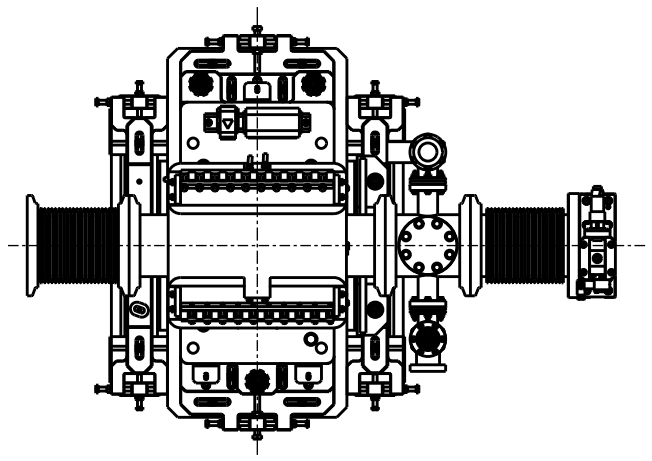


DRG. NO. SHEET 1 OF 1
AO 289-10891

CONFORMS TO BS 8888 THIRD ANGLE PROJECTION

REF	DRG No.	DESCRIPTION	QTY	REMARKS
1	001-12888	DN40 TEE	2	
2	001-14360	MDC UHV BURST DISK	1	
3	001-14889	VAT GATE VALVE 10844-CE28 DN 160	1	
4	001-15072	VAT ALL METAL VALVE SERIES 54	1	
5	048-037-10-B	114 OD FIXED KNIFE EDGE FLANGE - BLANK	1	
6	289-10330	LOCK RING	3	
7	289-10332	WIXROYED M8 SPHERICAL WASHER SET	1	
8	289-10591	COLD CATHODE SENSOR	1	
9	289-10592	PIRANI SENSOR	1	
10	289-10892	BELLOWS UNIT NW160_CF QUICK RELEASE	1	
11	289-11671	NextTorr HV 300 PUMP	1	
12	289-11795	MAGNET - ESS CORRECTOR CB (SIGMA-PHI)	1	
13	289-11806	KINEMATIC ADJUSTER - SPHERICAL	2	
14	289-11807	KINEMATIC ADJUSTER - FLAT	1	
15	289-11824	VESSEL & CORRECTOR MAGNET SUPPORT	1	
16	289-11880	VESSEL 1 A2T-BP1 VAC SPOOL PIECE	1	
17	289-11882	VESSEL 2 A2T-BP1 MAGNET STRAIGHT	1	
18	289-11884	BELLOWS UNIT NW160_CF / DN160CF	1	
19	HHS-060-040	M6 x 40 LG HEX HD SCREW	36	
20	HHS-080-050	M8 x 50 LG HEX HD SCREW	14	
21	NUT-060	M6 HEX NUT	36	
22	NUT-080	M8 HEX NUT	14	
23	SHS-080-090	M8 x 90 LG HEX SKT HD CAP SCREW	1	
24	SHS-080-100	M8 x 100 LG HEX SKT HD CAP SCREW	2	
25	WAS-060	M6 PLAIN WASHER	72	
26	WAS-080	M8 PLAIN WASHER	28	



RELEASE STATUS: **Approved**

WELDING SPEC.

MATERIAL SPEC.

MATERIAL: SEE BOM

TOLERANCES UNLESS OTHERWISE STATED
 LINEAR DIMENSIONS UP TO ± .001 OVER ± .001
 ANGULAR DIMENSIONS ± .5°

ALL DIMENSIONS IN mm UNLESS OTHERWISE STATED

TOLERANCING ISO 8015

DRN.	KPD	SCIENCE AND TECHNOLOGY FACILITIES COUNCIL
DATE.	25/11/19	DARESBURY LABORATORY
CKD.	RJS	CHESHIRE
DATE.	27/11/19	TITLE
APPD.	RJS	ESS BEAM TRANSPORT
DATE.	27/11/19	A2T-BP1 MODULE ASSEMBLY
		A2T-BP1

DRG. NO. SHEET 1 OF 1 ISSUE
AO 289-10891
 P/C PART No. 289-10891

USED ON 289-10940

FIRST ISSUE

THIS DRAWING IS THE PROPERTY OF STFC AND MAY NOT BE COPIED OR USED FOR ANY PURPOSE OTHER THAN THAT FOR WHICH IT IS SUPPLIED WITHOUT THE EXPRESS WRITTEN AUTHORITY OF STFC.

THE ENVELOPE REQUIREMENT (E) APPLIES TO ALL FEATURES OF SIZE UNLESS OTHERWISE STATED. SEE ISO 14405-1 FOR DETAILS.