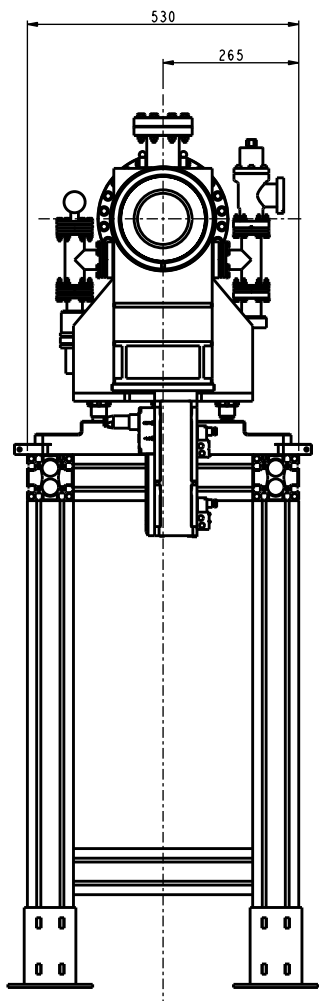
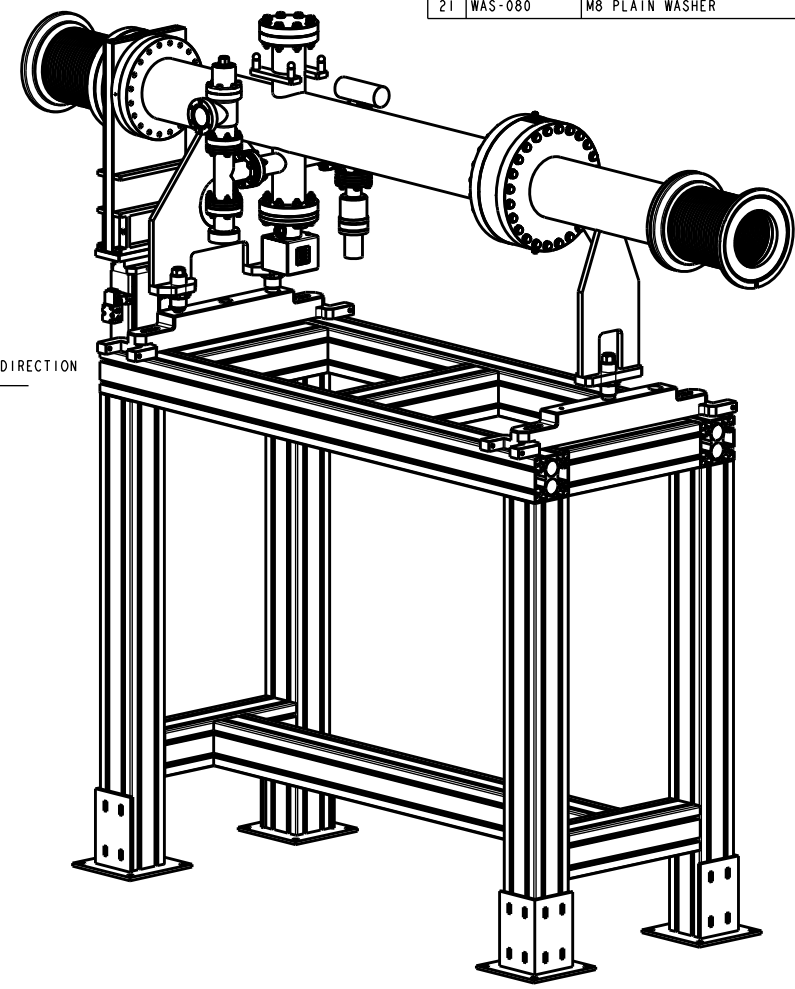
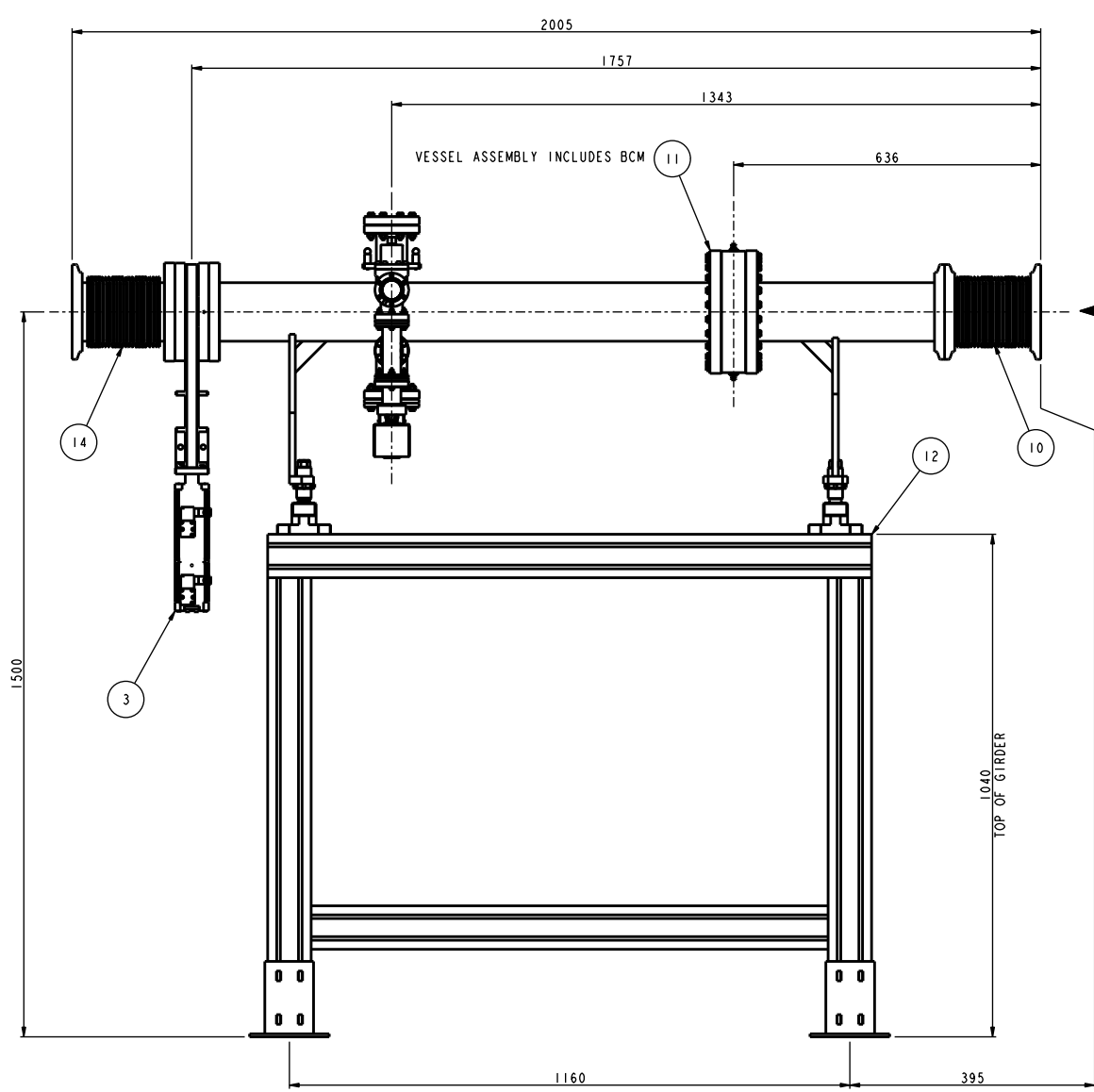
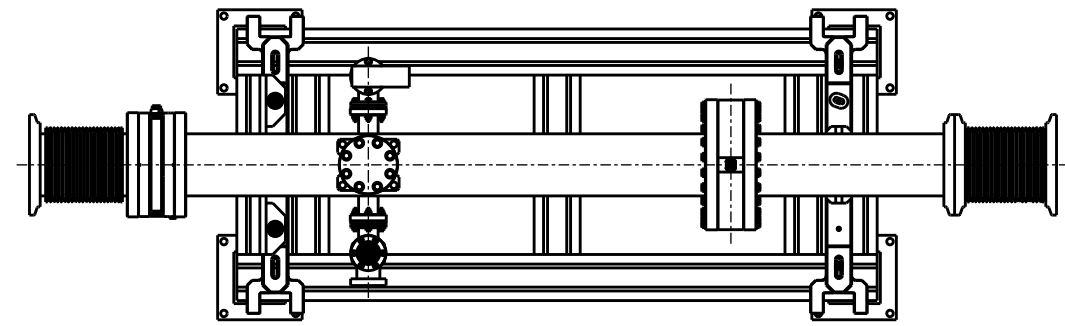


DRG. NO. SHEET 1 OF 1  
**A0 289-10899**

SIMILAR DIMENSIONS FOR EACH SUPPORT STAND

CONFORMS TO BS 8888 THIRD ANGLE PROJECTION

REF	DRG No.	DESCRIPTION	QTY	REMARKS
1	001-12888	DN40 TEE	2	
2	001-14360	MDC UHV BURST DISK	1	
3	001-14889	VAT GATE VALVE 10844-CE28 DN 160	1	
4	001-15072	VAT ALL METAL VALVE SERIES 54	1	
5	048-037-10-B	114 OD FIXED KNIFE EDGE FLANGE - BLANK	1	
6	289-10346	M6 SLOT SCREW ADAPTOR	2	
7	289-10452	VESSEL SUPPORT BEAM	2	
8	289-10591	COLD CATHODE SENSOR	1	
9	289-10592	PIRANI SENSOR	1	
10	289-10892	BELLOWS UNIT NW160.CF QUICK RELEASE	1	
11	289-10900	VACUUM VESSEL ASSEMBLY	1	
12	289-10903	VESSEL SUPPORT STAND	1	
13	289-11671	NextTorr HV 300 PUMP	1	
14	289-11884	BELLOWS UNIT NW160.CF / DN160CF	1	
15	HHS-060-040	M6 x 40 LG HEX HD SCREW	36	
16	HHS-080-050	M8 x 50 LG HEX HD SCREW	16	
17	NUT-060	M6 HEX NUT	36	
18	NUT-080	M8 HEX NUT	16	
19	SHS-060-040	M6 x 40 LG HEX SKT HD CAP SCREW	2	
20	WAS-060	M6 PLAIN WASHER	72	
21	WAS-080	M8 PLAIN WASHER	32	



RELEASE STATUS		<b>Approved</b>	
WELDING SPEC.		.....	
MATERIAL SPEC.		.....	
MATERIAL		.....	
TOLERANCES UNLESS OTHERWISE STATED			
LINEAR DIMENSIONS UP TO ± . . . OVER ± . . .			
ANGULAR DIMENSIONS ± . . .			
ALL DIMENSIONS IN mm UNLESS OTHERWISE STATED			
<b>TOLERANCING ISO 8015</b>			
DRN.	KPD	SCIENCE AND TECHNOLOGY FACILITIES COUNCIL	
DATE.	25/11/19	<b>DARESBURY LABORATORY</b>	
CKD.	RJS	CHESHIRE	
DATE.	27/11/19	TITLE	
APPD.	RJS	ESS BEAM TRANSPORT	
DATE.	27/11/19	A2T-BP2 MODULE ASSEMBLY	
		A2T-BP2	
		DRG. NO.	289-10899
		SHEET 1 OF 1	ISSUE
		PIC. CAP. PART No.	289-10899
		USED ON	289-10940

THIS DRAWING IS THE PROPERTY OF STFC AND MAY NOT BE COPIED OR USED FOR ANY PURPOSE OTHER THAN THAT FOR WHICH IT IS SUPPLIED WITHOUT THE EXPRESS WRITTEN AUTHORITY OF STFC.

THE ENVELOPE REQUIREMENT (E) APPLIES TO ALL FEATURES OF SIZE UNLESS OTHERWISE STATED. SEE ISO 14405-1 FOR DETAILS.

**A**  
FIRST ISSUE