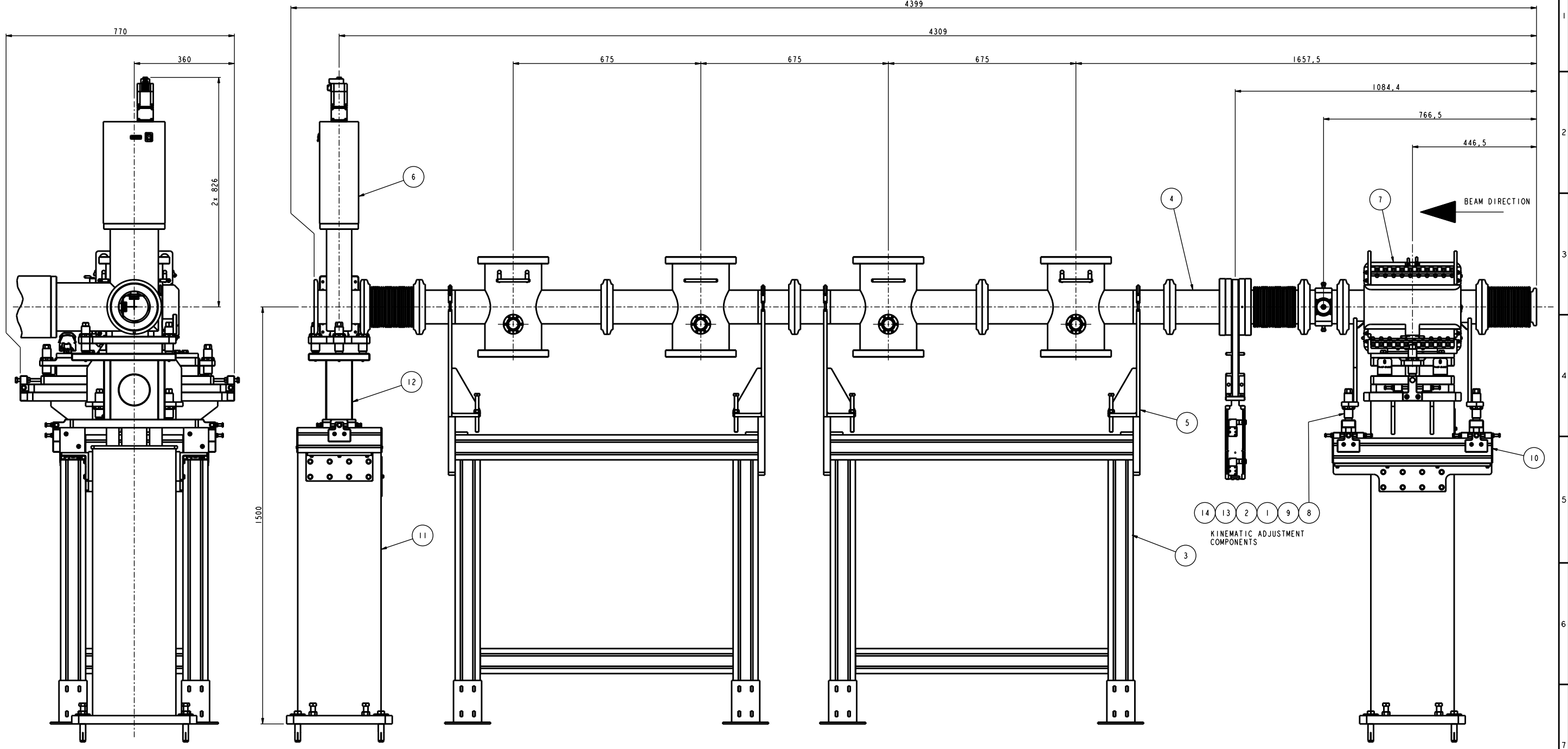


DRG. NO. SHEET 1 OF 2  
**AO 289-10915**

CONFORMS TO BS 8888 THIRD ANGLE PROJECTION



REF	DRG No.	DESCRIPTION	QTY	REMARKS
1	289-10330	LOCK RING	3	
2	289-10332	WIXROYED M8 SPHERICAL WASHER SET	1	
3	289-10909	SUPPORT STAND	2	
4	289-10916	VESSEL ASSEMBLY	1	
5	289-10955	PIPE SUPPORT ASSEMBLY	4	
6	289-11680	ESS WIRESCANNER	2	
7	289-11795	MAGNET - ESS CORRECTOR C8 (SIGMA-PHI)	1	
8	289-11806	KINEMATIC ADJUSTER - SPHERICAL	2	
9	289-11807	KINEMATIC ADJUSTER - FLAT	1	
10	289-11824	VESSEL & CORRECTOR MAGNET SUPPORT	1	
11	289-11905	A2T BP5 WIRE SCANNER SUPPORT	1	
12	289-11908	WIRE SCANNER KINEMATIC MOUNTING ASSY	1	
13	SHS-080-090	M8 x 90 LG HEX SKT HD CAP SCREW	1	
14	SHS-080-100	M8 x 100 LG HEX SKT HD CAP SCREW	2	

**FIRST ISSUE**

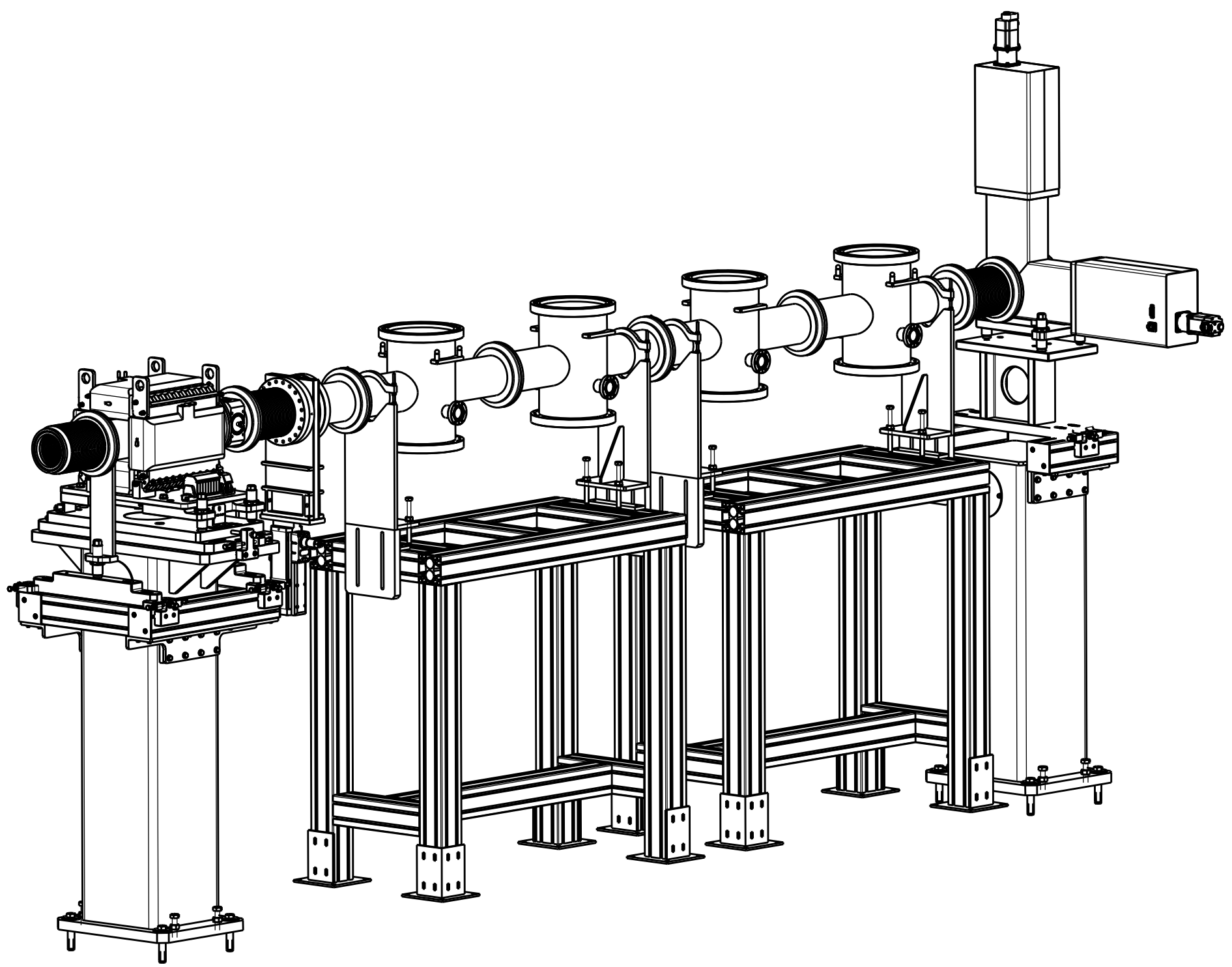
THIS DRAWING IS THE PROPERTY OF STFC AND MAY NOT BE COPIED OR USED FOR ANY PURPOSE OTHER THAN THAT FOR WHICH IT IS SUPPLIED WITHOUT THE EXPRESS WRITTEN AUTHORITY OF STFC.

THE ENVELOPE REQUIREMENT (E) APPLIES TO ALL FEATURES OF SIZE UNLESS OTHERWISE STATED. SEE ISO 14405-1 FOR DETAILS.

RELEASE STATUS		<b>Approved</b>	
WELDING SPEC.		.....	
MATERIAL SPEC.		.....	
MATERIAL		.....	
TOLERANCES UNLESS OTHERWISE STATED LINEAR DIMENSIONS UP TO ± .005 OVER ± .01 ANGULAR DIMENSIONS ± .5 ALL DIMENSIONS IN mm UNLESS OTHERWISE STATED			
<b>TOLERANCING ISO 8015</b>			
DRN.	KPD	SCIENCE AND TECHNOLOGY FACILITIES COUNCIL	
DATE.	25/11/19	<b>DARESBURY LABORATORY</b>	
CKD.	RJS	CHESHIRE	
DATE.	27/11/19	TITLE	
APPD.	RJS	ESS BEAM TRANSPORT	
DATE.	27/11/19	A2T-BP5 MODULE ASSEMBLY	
		A2T-BP5	
		DRG. NO.	SHEET 1 OF 2
		<b>AO 289-10915</b>	ISSUE
		PIC CAD PART No	<b>289-10915</b>
		USED ON	289-10940

DRG. NO. SHEET 2 OF 2  
**AO 289-10915**

CONFORMS TO BS 8888 THIRD ANGLE PROJECTION



RELEASE STATUS		<b>Approved</b>	
WELDING SPEC.		.....	
MATERIAL SPEC.		.....	
MATERIAL		.....	
TOLERANCES UNLESS OTHERWISE STATED			
LINEAR DIMENSIONS UP TO ..... OVER ..... ± ..			
ANGULAR DIMENSIONS ± ..			
ALL DIMENSIONS IN mm UNLESS OTHERWISE STATED			
<b>TOLERANCING ISO 8015</b>			
DRN.	KPD	SCIENCE AND TECHNOLOGY FACILITIES COUNCIL	
DATE.	25/11/19	<b>DARESBURY LABORATORY</b>	
CKD.	RJS	CHESHIRE	
DATE.	27/11/19	TITLE	
APPD.	RJS	ESS BEAM TRANSPORT	
DATE.	27/11/19	A2T-BP5 MODULE ASSEMBLY	
		A2T-BP5	
		DRG. NO.	SHEET 2 OF 2
		<b>AO 289-10915</b>	ISSUE
		PIC CAD PART No	<b>A</b>
		289-10915	
USED ON 289-10940			

THIS DRAWING IS THE PROPERTY OF STFC AND MAY NOT BE COPIED OR USED FOR ANY PURPOSE OTHER THAN THAT FOR WHICH IT IS SUPPLIED WITHOUT THE EXPRESS WRITTEN AUTHORITY OF STFC.

THE ENVELOPE REQUIREMENT (E) APPLIES TO ALL FEATURES OF SIZE UNLESS OTHERWISE STATED. SEE ISO 14405-1 FOR DETAILS.

**FIRST ISSUE**