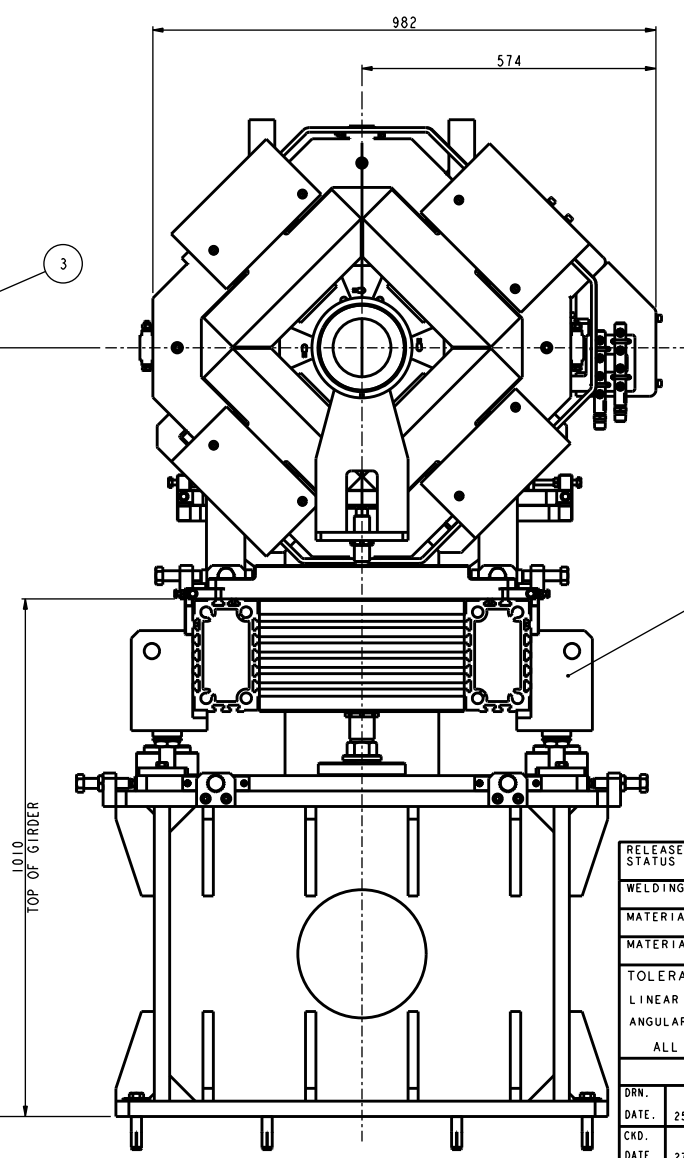
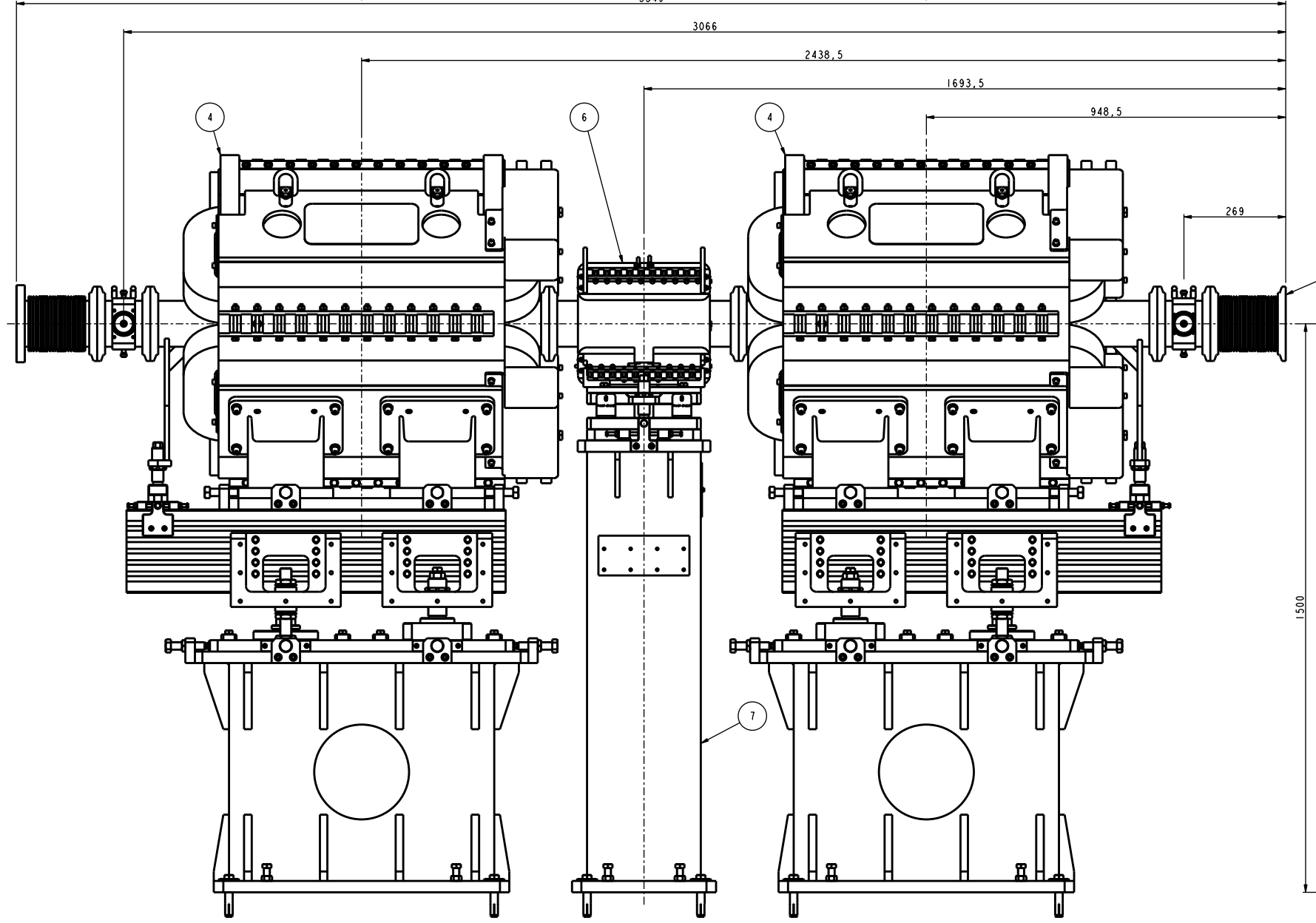
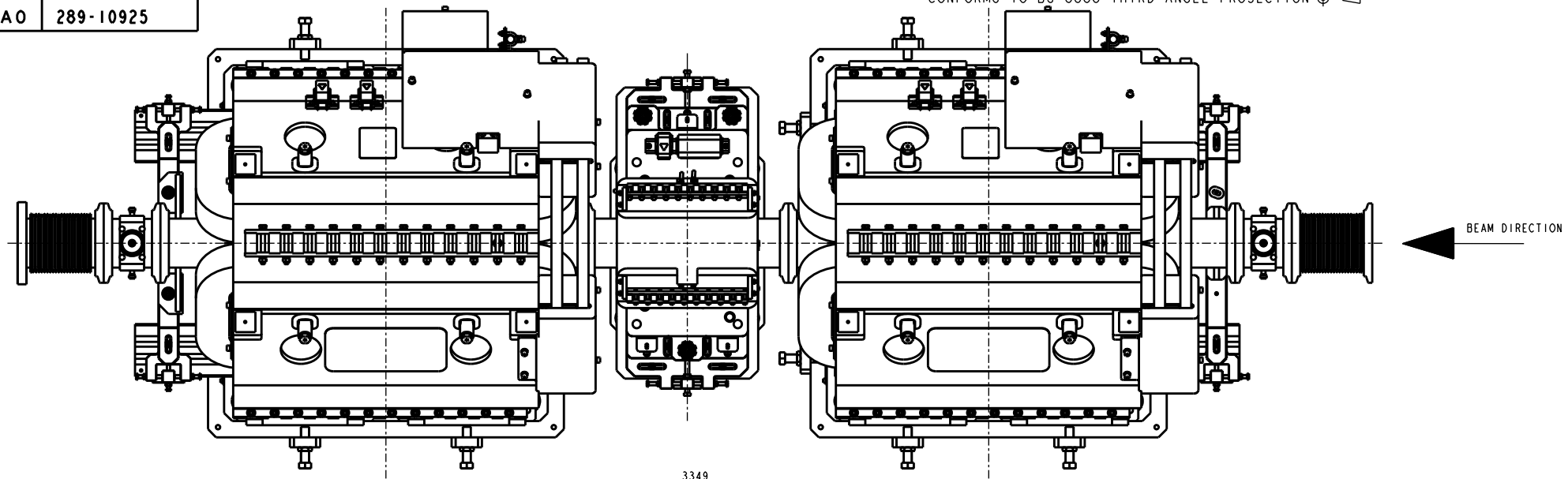


DRG. NO. SHEET 1 OF 2
AO 289-10925

CONFORMS TO BS 8888 THIRD ANGLE PROJECTION

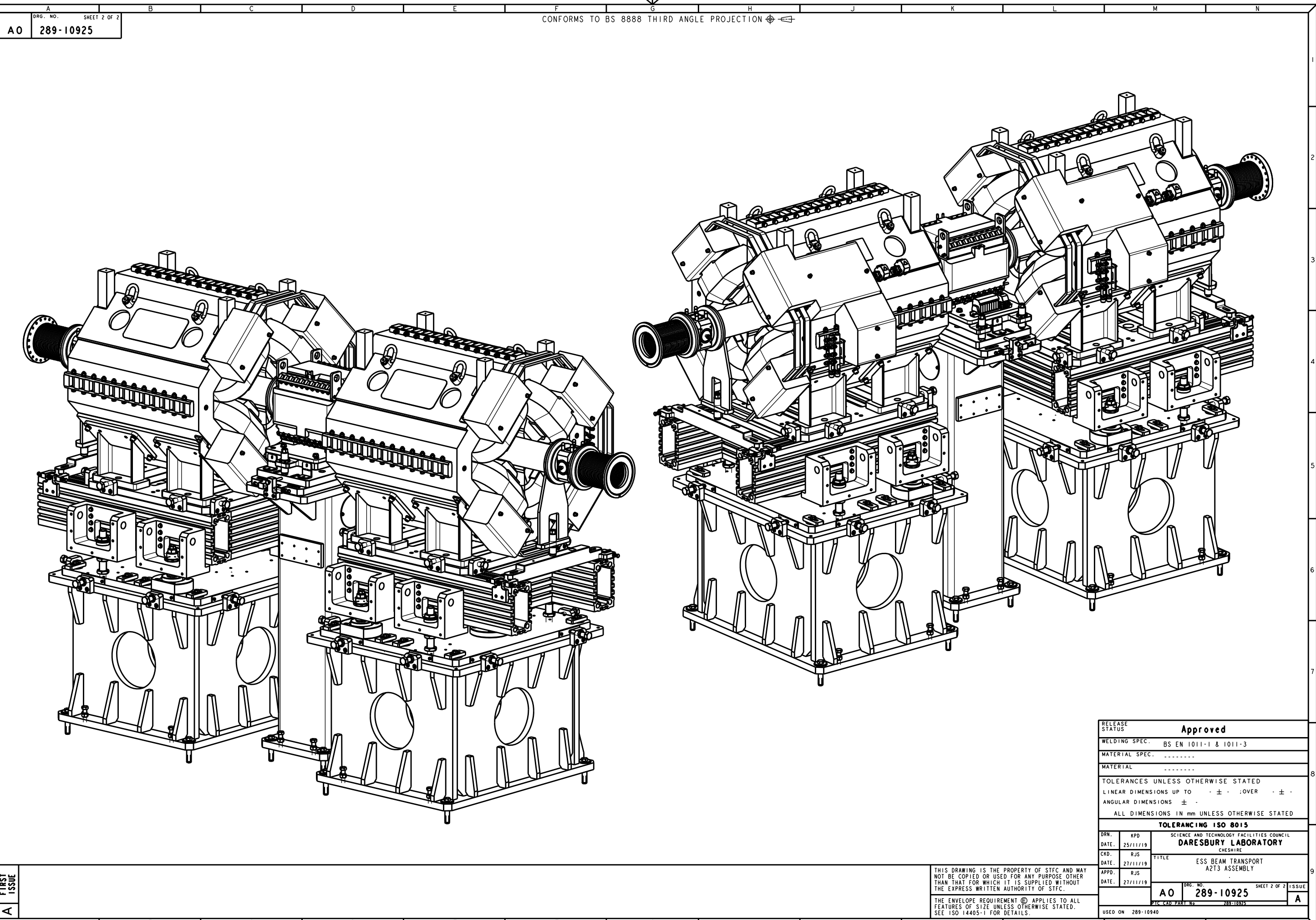
REF	DRG No.	DESCRIPTION	QTY	REMARKS
1	289-10307	ADJUSTING PLATE	4	
2	289-10346	M6 SLOT SCREW ADAPTOR	4	
3	289-10926	VACUUM VESSEL TOP ASSEMBLY	1	
4	289-11672	Q8 MAGNET ASSEMBLY	2	
5	289-11777	Q8 MAGNET SUPPORT ASSEMBLY	2	
6	289-11795	MAGNET - ESS CORRECTOR C8 (SIGMA-PHI)	1	
7	289-11796	C8 MAGNET SUPPORT ASSEMBLY	1	
8	289-11862	VESSEL SUPPORT BEAM - LONG	2	
9	HHS-080-060	M8 x 60 LG HEX HD SCREW	12	
10	NUT-080	M8 HEX NUT	12	
11	SHS-060-020	M6 x 20 LG HEX SKT HD CAP SCREW	8	
12	SHS-060-040	M6 x 40 LG HEX SKT HD CAP SCREW	4	
13	WAS-080	M8 PLAIN WASHER	12	



FIRST ISSUE

THIS DRAWING IS THE PROPERTY OF STFC AND MAY NOT BE COPIED OR USED FOR ANY PURPOSE OTHER THAN THAT FOR WHICH IT IS SUPPLIED WITHOUT THE EXPRESS WRITTEN AUTHORITY OF STFC.
 THE ENVELOPE REQUIREMENT (E) APPLIES TO ALL FEATURES OF SIZE UNLESS OTHERWISE STATED. SEE ISO 14405-1 FOR DETAILS.

RELEASE STATUS		Approved	
WELDING SPEC.		BS EN 1011-1 & 1011-3	
MATERIAL SPEC.		
MATERIAL		
TOLERANCES UNLESS OTHERWISE STATED			
LINEAR DIMENSIONS UP TO OVER ± ..			
ANGULAR DIMENSIONS ± ..			
ALL DIMENSIONS IN mm UNLESS OTHERWISE STATED			
TOLERANCING ISO 8015			
DRN.	KPD	SCIENCE AND TECHNOLOGY FACILITIES COUNCIL	
DATE.	25/11/19	DARESBURY LABORATORY	
CKD.	RJS	CHESHIRE	
DATE.	27/11/19	TITLE	
APPD.	RJS	ESS BEAM TRANSPORT	
DATE.	27/11/19	A2T3 ASSEMBLY	
DRG. NO.		SHEET 1 OF 2	
AO 289-10925		ISSUE	
STFC CAD PART No		A	
USED ON		289-10940	



DRG. NO. SHEET 2 OF 2
AO 289-10925

CONFORMS TO BS 8888 THIRD ANGLE PROJECTION

RELEASE STATUS		Approved	
WELDING SPEC.		BS EN 1011-1 & 1011-3	
MATERIAL SPEC.		
MATERIAL		
TOLERANCES UNLESS OTHERWISE STATED			
LINEAR DIMENSIONS UP TO ± .OVER ± .			
ANGULAR DIMENSIONS ± .			
ALL DIMENSIONS IN mm UNLESS OTHERWISE STATED			
TOLERANCING ISO 8015			
DRN.	KPD	SCIENCE AND TECHNOLOGY FACILITIES COUNCIL	
DATE.	25/11/19	DARESBURY LABORATORY	
CKD.	RJS	CHESHIRE	
DATE.	27/11/19	TITLE	
APPD.	RJS	ESS BEAM TRANSPORT	
DATE.	27/11/19	A2T3 ASSEMBLY	
DRG. NO.		SHEET 2 OF 2	
AO 289-10925		ISSUE	
PIC CAD PART No		289-10925	
USED ON		289-10940	

THIS DRAWING IS THE PROPERTY OF STFC AND MAY NOT BE COPIED OR USED FOR ANY PURPOSE OTHER THAN THAT FOR WHICH IT IS SUPPLIED WITHOUT THE EXPRESS WRITTEN AUTHORITY OF STFC.

THE ENVELOPE REQUIREMENT (E) APPLIES TO ALL FEATURES OF SIZE UNLESS OTHERWISE STATED. SEE ISO 14405-1 FOR DETAILS.

FIRST ISSUE