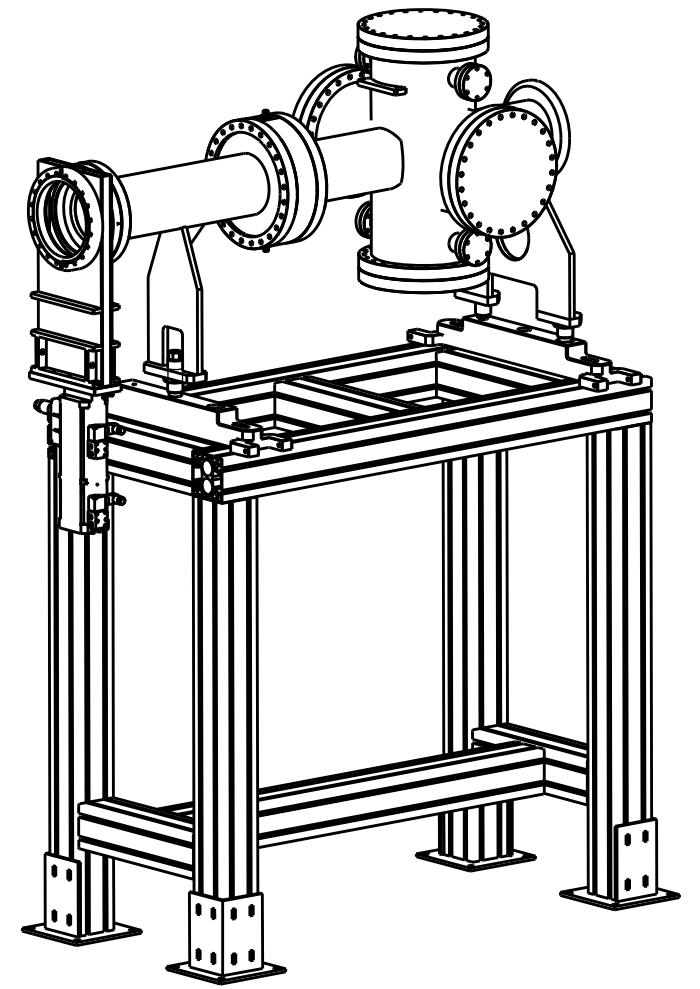
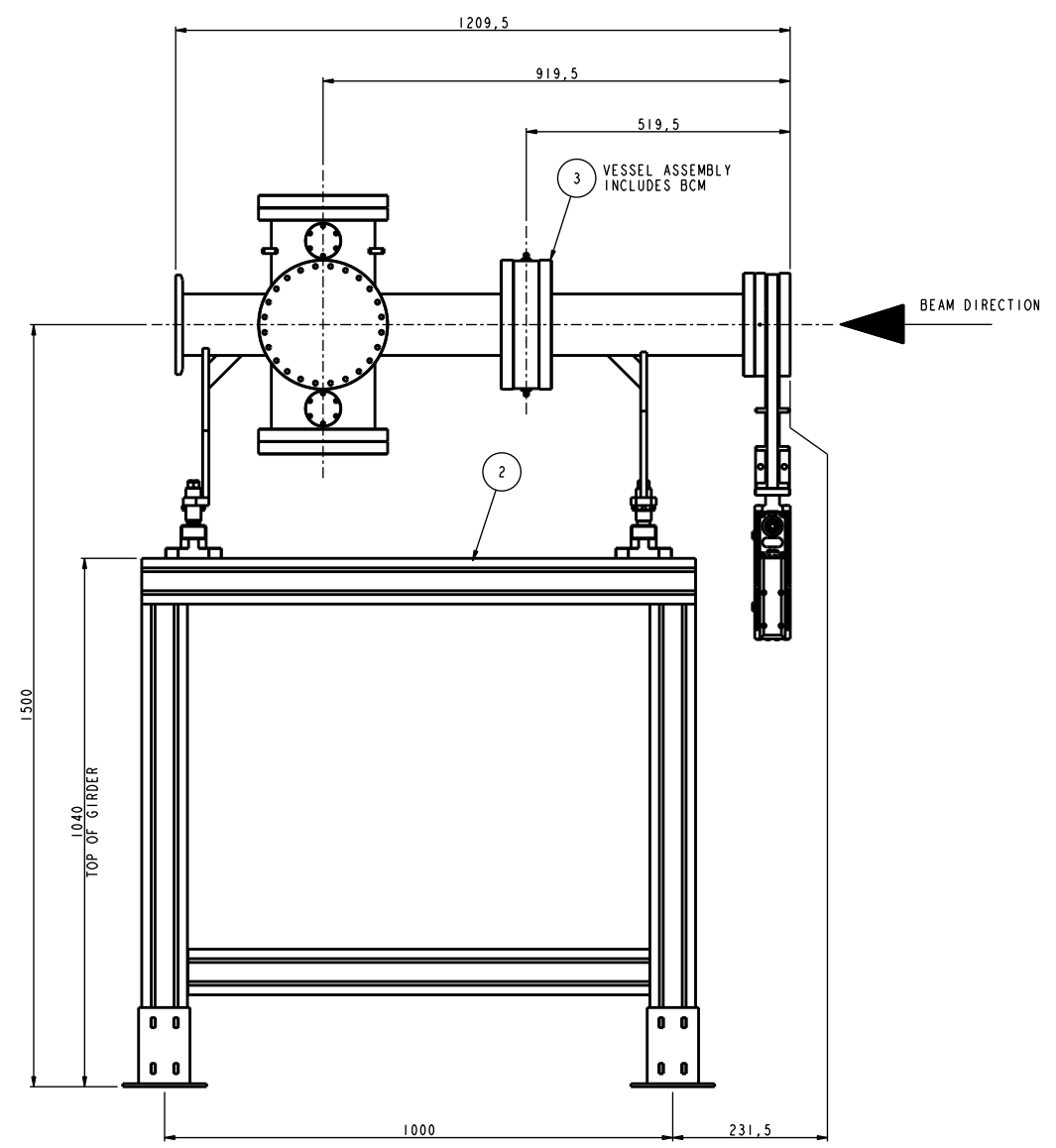
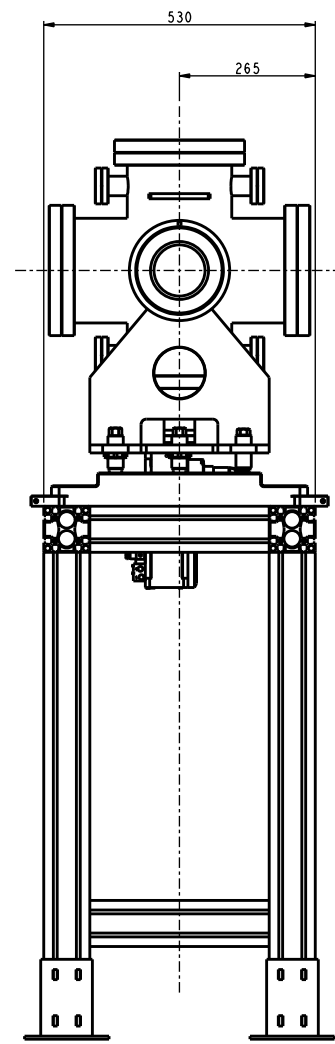
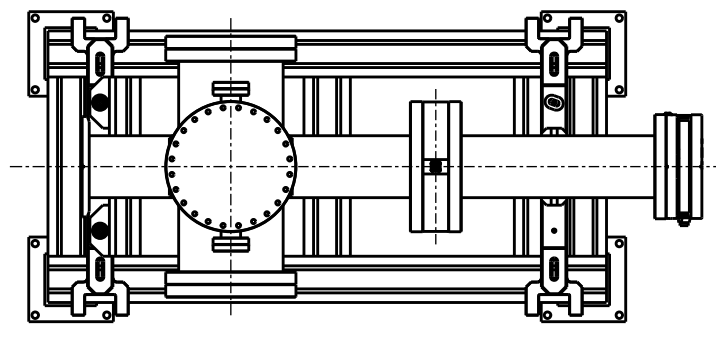


DRG. NO. SHEET 1 OF 1  
**AO 289-10931**

CONFORMS TO BS 8888 THIRD ANGLE PROJECTION

REF	DRG No.	DESCRIPTION	QTY	REMARKS
1	289-10452	VESSEL SUPPORT BEAM	2	
2	289-10909	SUPPORT STAND	1	
3	289-10932	A2T-BP6 VESSEL ASSEMBLY	1	



RELEASE STATUS		<b>Approved</b>	
WELDING SPEC.		.....	
MATERIAL SPEC.		.....	
MATERIAL		.....	
TOLERANCES UNLESS OTHERWISE STATED			
LINEAR DIMENSIONS UP TO ± .001 OVER ± .001			
ANGULAR DIMENSIONS ± .5			
ALL DIMENSIONS IN mm UNLESS OTHERWISE STATED			
<b>TOLERANCING ISO 8015</b>			
DRN.	KPD	SCIENCE AND TECHNOLOGY FACILITIES COUNCIL	
DATE.	25/11/19	<b>DARESBURY LABORATORY</b>	
CKD.	RJS	CHESHIRE	
DATE.	27/11/19	TITLE	
APPD.	RJS	ESS BEAM TRANSPORT	
DATE.	27/11/19	A2T-BP6 MODULE ASSEMBLY	
		A2T-BP6	
		DRG. NO.	SHEET 1 OF 1
		<b>AO 289-10931</b>	ISSUE
		PIC. CAD. PART No.	<b>A</b>
		USED ON	289-10940

THIS DRAWING IS THE PROPERTY OF STFC AND MAY NOT BE COPIED OR USED FOR ANY PURPOSE OTHER THAN THAT FOR WHICH IT IS SUPPLIED WITHOUT THE EXPRESS WRITTEN AUTHORITY OF STFC.

THE ENVELOPE REQUIREMENT (E) APPLIES TO ALL FEATURES OF SIZE UNLESS OTHERWISE STATED. SEE ISO 14405-1 FOR DETAILS.

**A**  
FIRST ISSUE