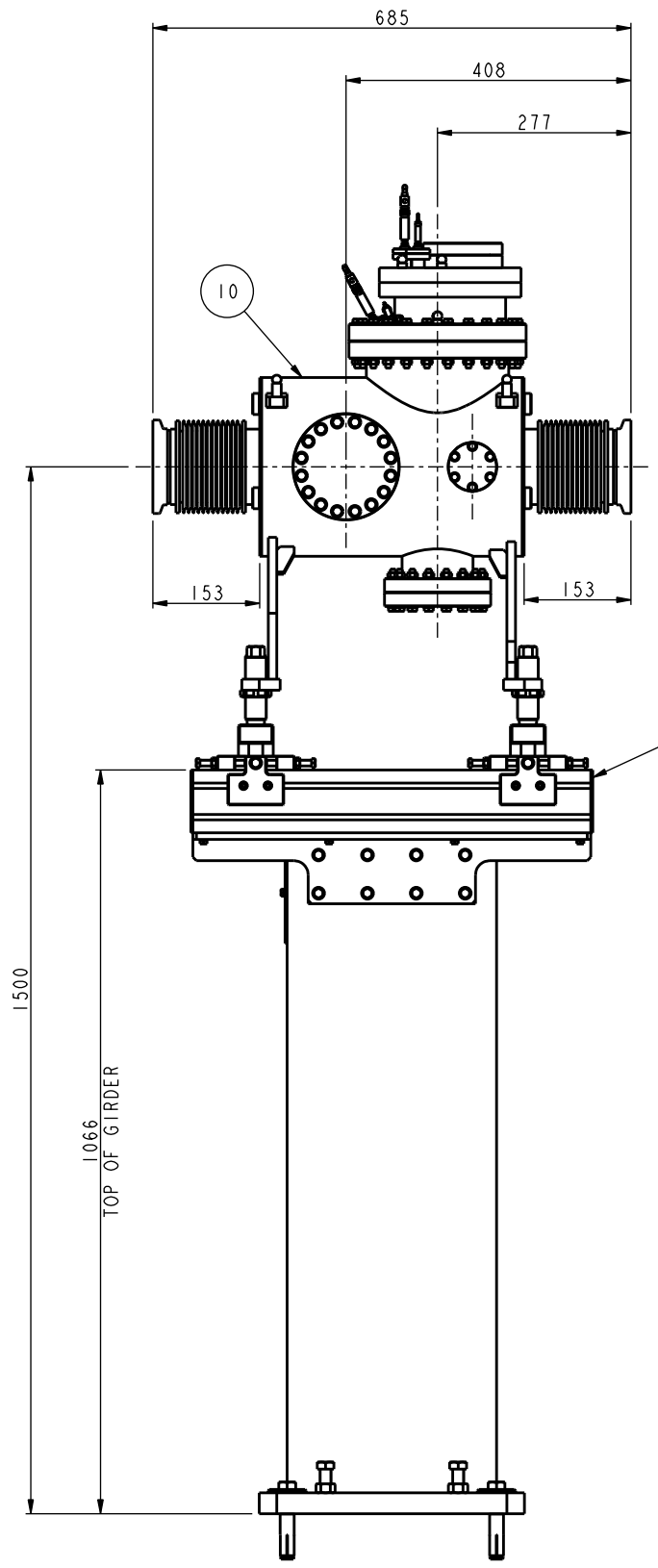
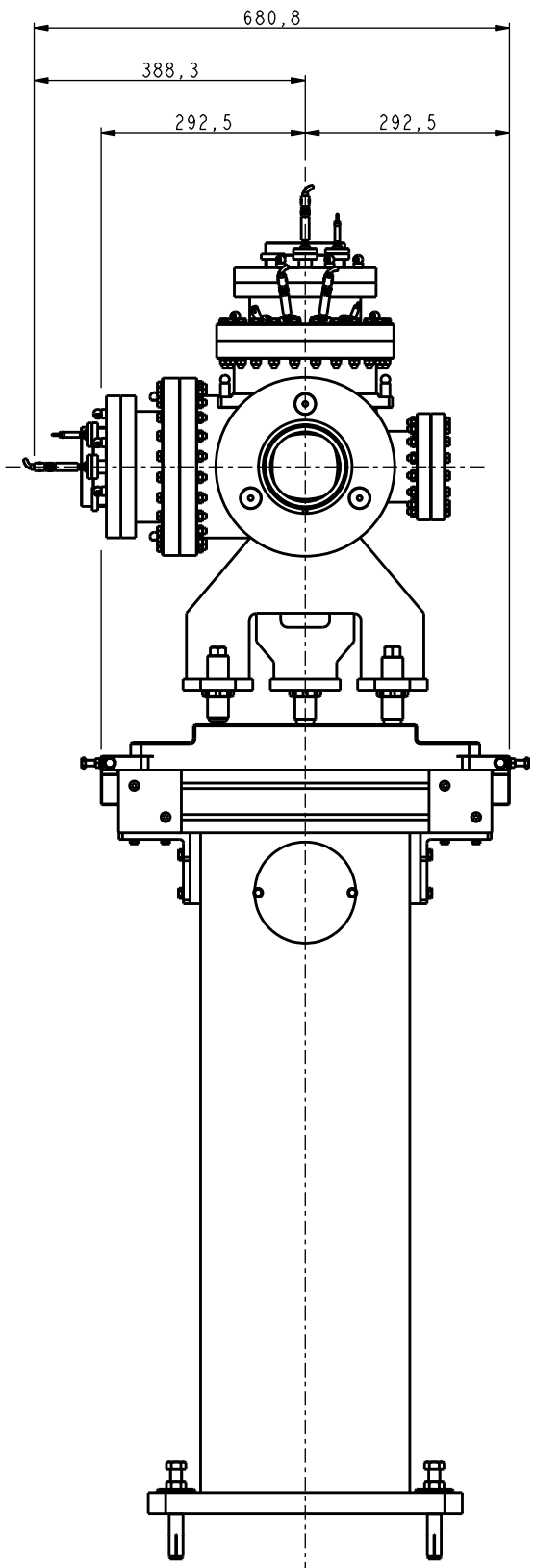


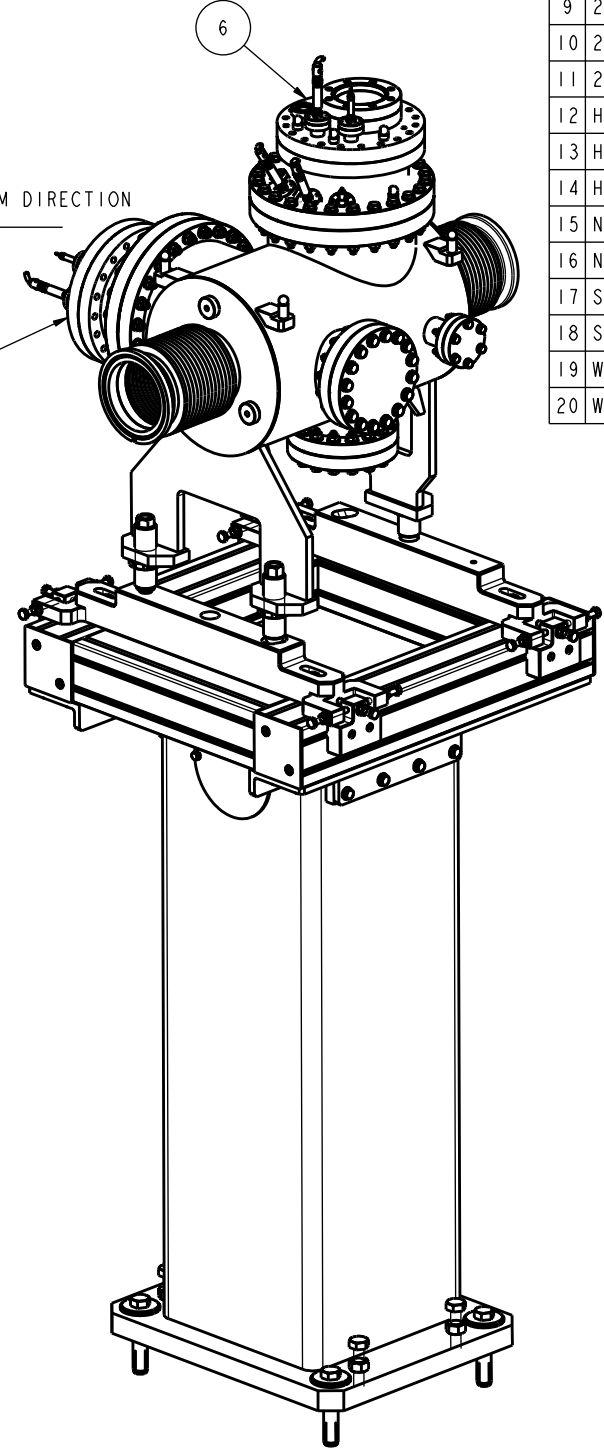
CONFORMS TO BS 8888 THIRD ANGLE PROJECTION

DRG. NO. SHEET 1 OF 1
A1 289-11846

REF	DRG No.	DESCRIPTION	QTY	REMARKS
1	048-037-04-B	70 OD FIXED KNIFE EDGE FLANGE - BLANK	1	
2	048-037-13-B	152 OD FIXED KNIFE EDGE FLANGE - BLANK	2	
3	048-037-19-B	254 OD FIXED KNIFE EDGE FLANGE - BLANK	2	
4	289-10330	LOCK RING	3	
5	289-10332	WIXROYED M8 SPHERICAL WASHER SET	1	
6	289-11658	IPM - OFF CENTRE	1	
7	289-11659	IPM - ON CENTRE	1	
8	289-11806	KINEMATIC ADJUSTER - SPHERICAL	2	
9	289-11807	KINEMATIC ADJUSTER - FLAT	1	
10	289-11832	A2T-BP4 CHAMBER ASSEMBLY	1	
11	289-11847	VESELI & CORRECTOR MAGNET SUPPORT	1	
12	HHS-060-040	M6 x 40 LG HEX HD SCREW	6	
13	HHS-080-055	M8 x 55 LG HEX HD SCREW	32	
14	HHS-080-065	M8 x 65 LG HEX HD SCREW	48	
15	NUT-060	M6 HEX NUT	6	
16	NUT-080	M8 HEX NUT	80	
17	SHS-080-090	M8 x 90 LG HEX SKT HD CAP SCREW	1	
18	SHS-080-100	M8 x 100 LG HEX SKT HD CAP SCREW	2	
19	WAS-060	M6 PLAIN WASHER	12	
20	WAS-080	M8 PLAIN WASHER	160	



BEAM DIRECTION



1500
 1066
 TOP OF GIRDER

RELEASE STATUS		Approved	
WELDING SPEC.		
MATERIAL SPEC.		
MATERIAL		
TOLERANCES UNLESS OTHERWISE STATED			
LINEAR DIMENSIONS UP TO - ± - ; OVER - ± -			
ANGULAR DIMENSIONS ± -			
ALL DIMENSIONS IN mm UNLESS OTHERWISE STATED			
TOLERANCING ISO 8015			
DRN.	KPD	SCIENCE AND TECHNOLOGY FACILITIES COUNCIL	
DATE.	25/11/19	DARESBURY LABORATORY	
		CHESHIRE	
CKD.	RJS	TITLE	
DATE.	27/11/19	ESS BEAM TRANSPORT	
APPD.	RJS	A2T-BP4 VESSEL AND SUPPORT ASSEMBLY	
DATE.	27/11/19	A2T-BP4	
		DRG. NO.	SHEET 1 OF 1 ISSUE
		A1 289-11846	A
		PTC CAD PART NO.	289-11846
USED ON 289-10912			

THIS DRAWING IS THE PROPERTY OF STFC AND MAY NOT BE COPIED OR USED FOR ANY PURPOSE OTHER THAN THAT FOR WHICH IT IS SUPPLIED WITHOUT THE EXPRESS WRITTEN AUTHORITY OF STFC.

THE ENVELOPE REQUIREMENT © APPLIES TO ALL FEATURES OF SIZE UNLESS OTHERWISE STATED. SEE ISO 14405-1 FOR DETAILS.

FIRST ISSUE
A