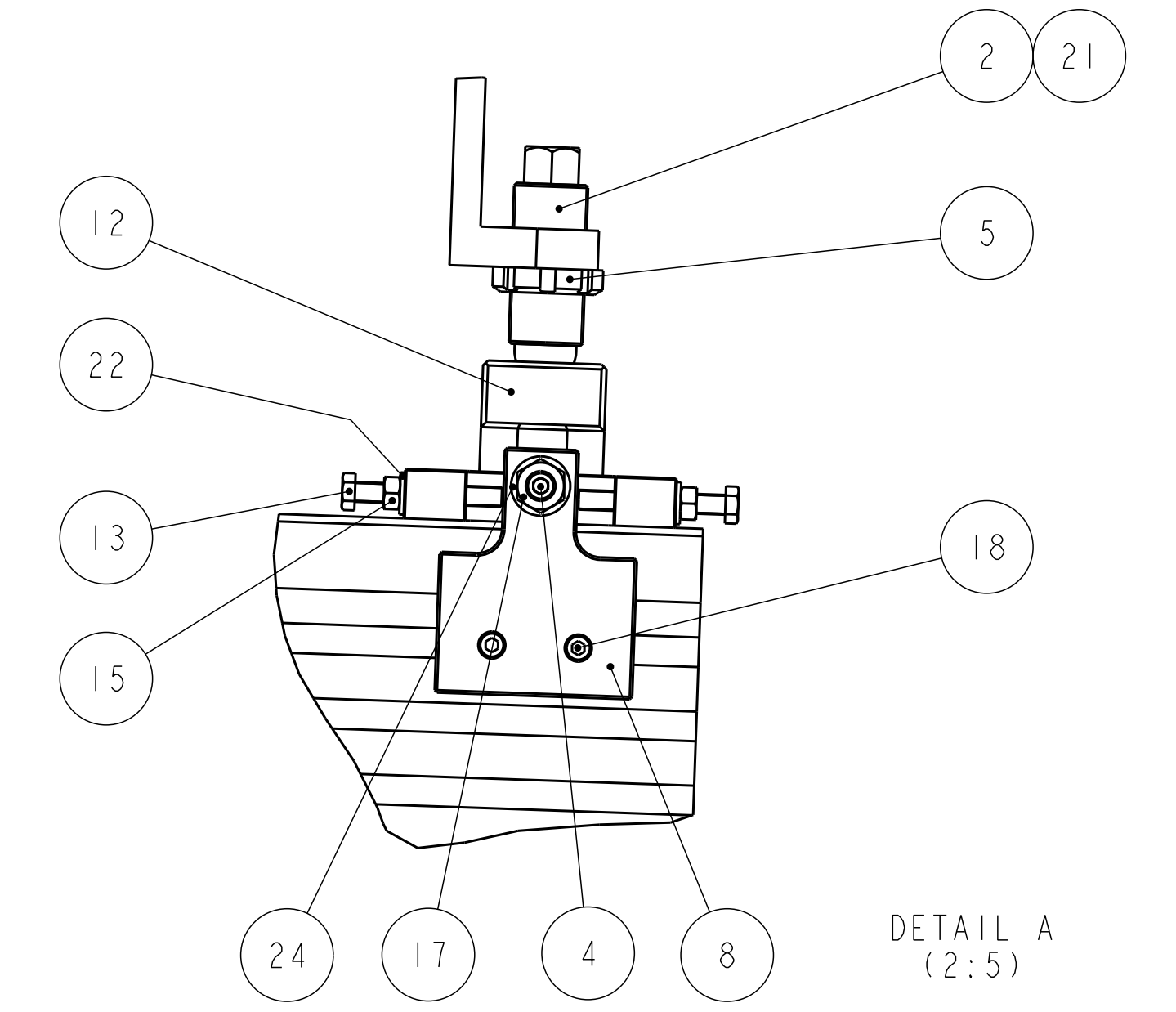
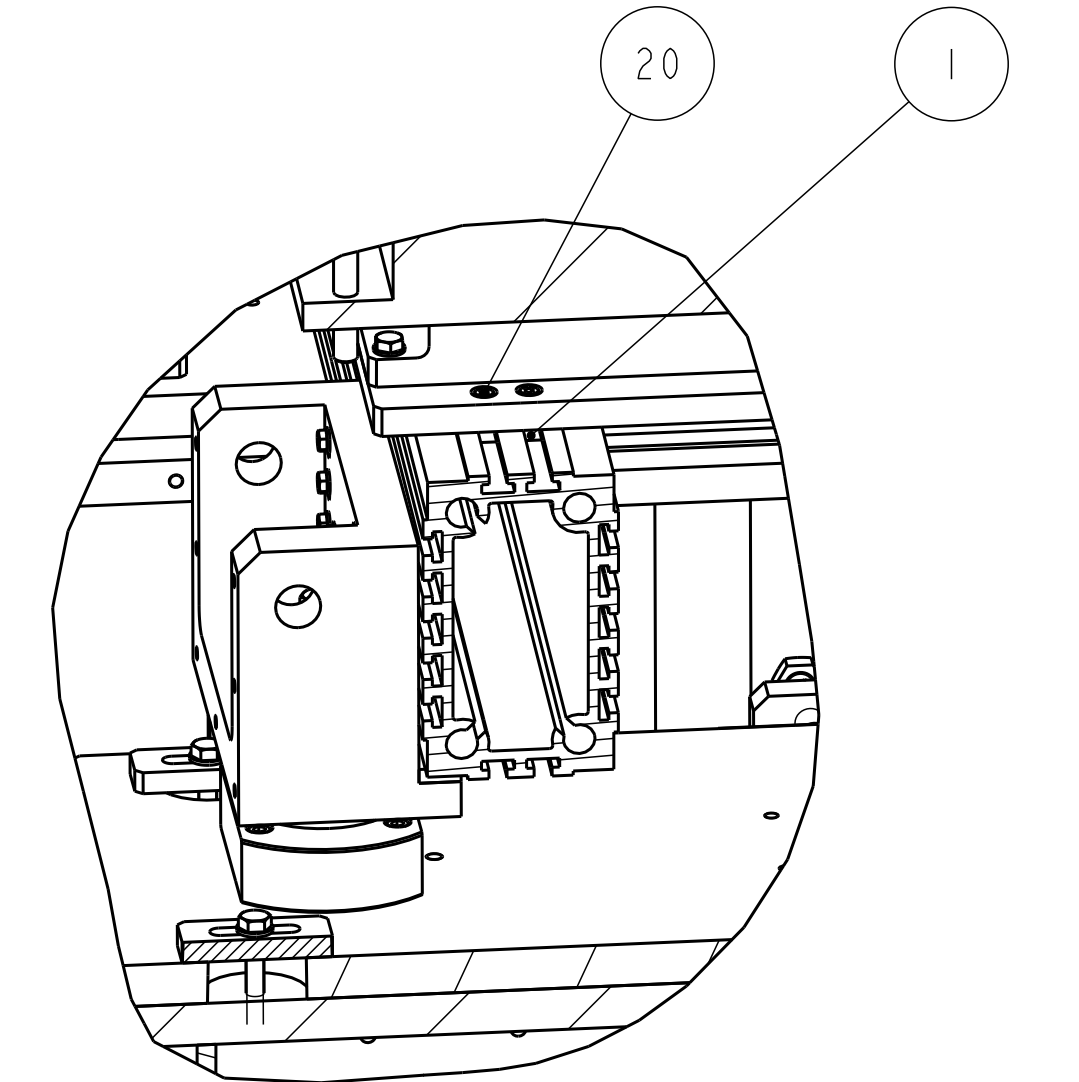
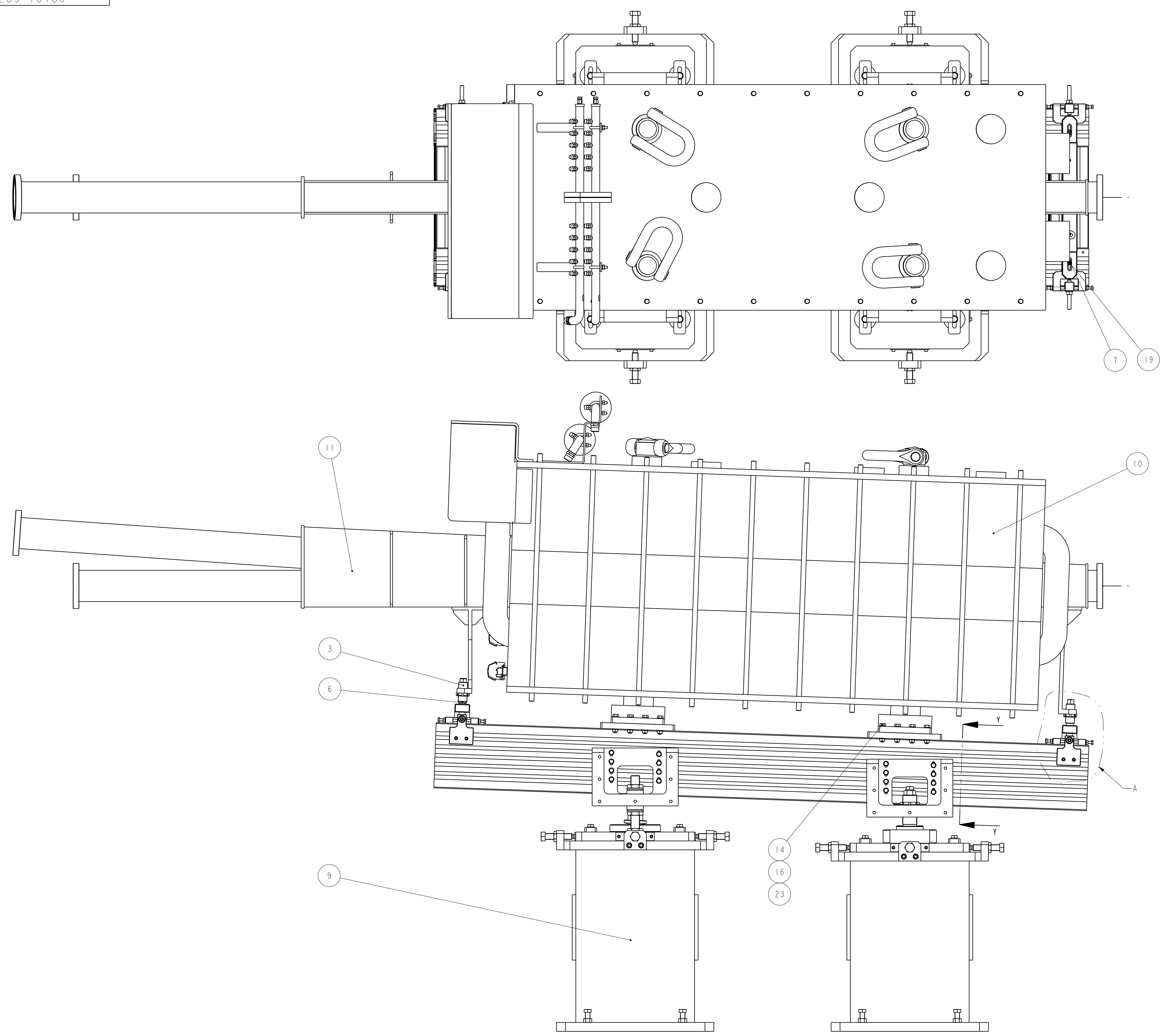


REF	DRG No.	DESCRIPTION	QTY	REMARKS
1	001-14202	M8 T-NUT (HEPCO HTN M8)	16	
2	289-10083	SPHERICAL VESSEL ADJUSTER	2	
3	289-10085	FLAT VESSEL ADJUSTER	1	
4	289-10308	BRASS TIPPED STEEL SET SCREW M12x100 (ONDRIVES GNI3858)	4	
5	289-10330	LOCK RING	3	
6	289-10332	WIXROYED M8 SPHERICAL WASHER SET	1	
7	289-10346	M6 SLOT SCREW ADAPTOR	4	
8	289-11578	ADJUSTING PLATE	4	
9	289-11709	DIPOLE MAGNET SUPPORT ASSEMBLY	1	
10	289-11867	MAGNET ASSEMBLY	1	
11	289-11899	SPLIT VESSEL ASSEMBLY	1	
12	289-11903	DIPOLE VESSEL SUPPORT BEAM	2	
13	HHS-080-060	M8 x 60 LG HEX HD SCREW	8	
14	HHS-100-055	M10 x 55 LG HEX HD SCREW	8	
15	NUT-080	M8 HEX NUT	8	
16	NUT-100	M10 HEX NUT	8	
17	NUT-120	M12 HEX NUT	4	
18	SHS-060-020	M6 x 20 LG HEX SKT HD CAP SCREW	8	
19	SHS-060-035	M6 x 35 LG HEX SKT HD CAP SCREW	4	
20	SHS-080-020	M8 x 20 LG HEX SKT HD CAP SCREW	16	
21	SHS-080-080	M8 x 80 LG HEX SKT HD CAP SCREW	3	
22	WAS-080	M8 PLAIN WASHER	24	
23	WAS-100	M10 PLAIN WASHER	16	
24	WAS-120	M12 PLAIN WASHER	4	



RELEASE STATUS		Approved	
WELDING SPEC		-----	
MATERIAL SPEC		-----	
MATERIAL		SEE BOM	
TOLERANCES UNLESS OTHERWISE STATED			
LINEAR DIMENSIONS UP TO ± ; OVER ±			
ANGULAR DIMENSIONS ±			
SCALE 1:5			
ALL DIMENSIONS IN mm's UNLESS OTHERWISE STATED			
DRN.	PMC	SCIENCE AND TECHNOLOGY FACILITIES COUNCIL	
DATE.	11/01/17	DARESBUURY LABORATORY	
CKD.	RJS	CHESHIRE	
DATE.	28/11/19	TITLE	
APPD.	RJS	ESS BEAM TRANSPORT	
DATE.	18/11/19	DIPOLE I ASSEMBLY	
DRAWING N°		A0	289-10780
PROVE CAD PART N°		289-10780	A
USED ON		289-10026	
CONTRACTORS COMPANY		-----	
CONTRACTORS DRG N°		-----	

THIS DRAWING IS THE PROPERTY OF STFC AND MAY NOT BE COPIED OR USED FOR ANY PURPOSE OTHER THAN THAT FOR WHICH IT IS SUPPLIED WITHOUT THE EXPRESS WRITTEN AUTHORITY OF STFC.

A FIRST ISSUE