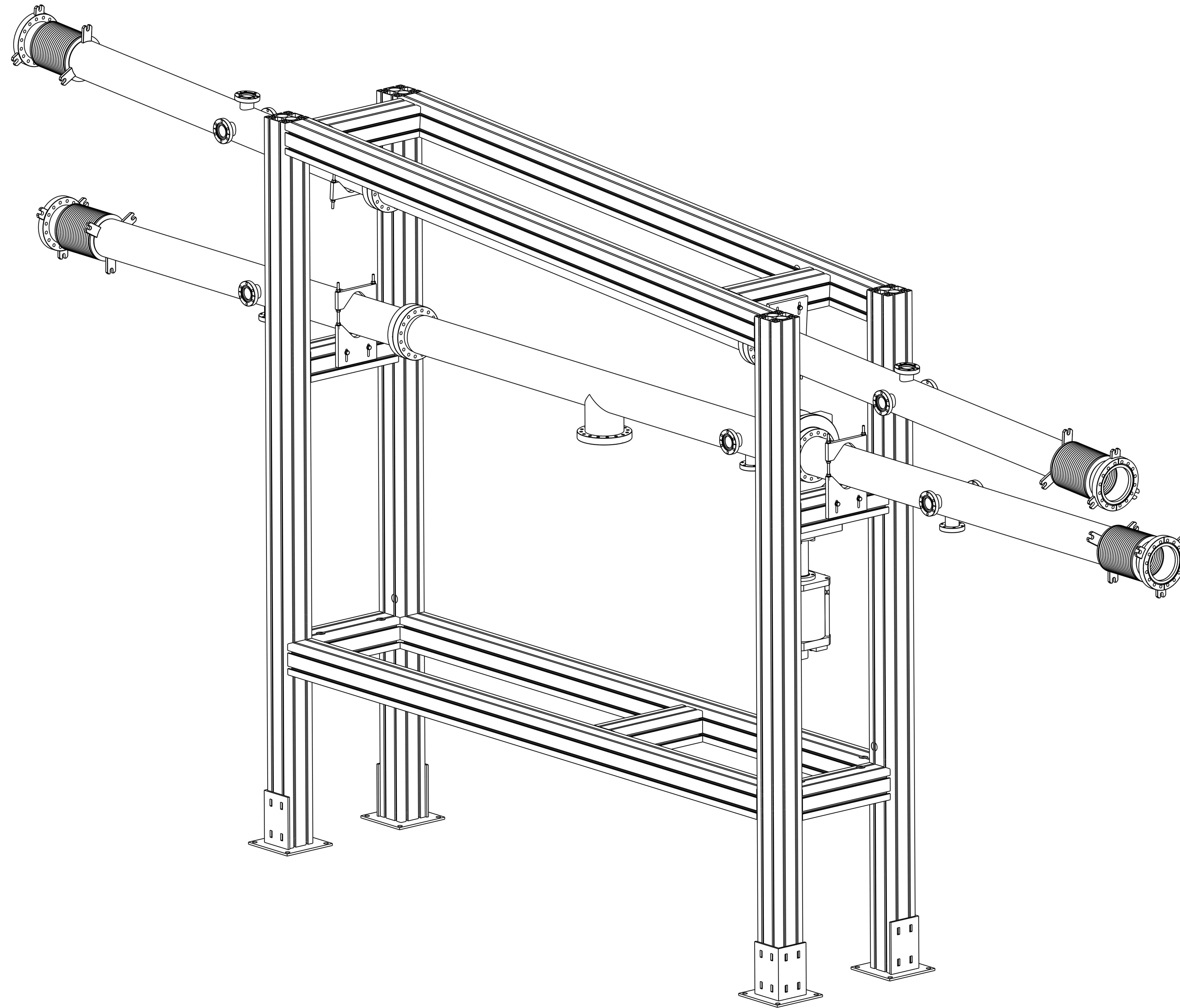


DRG. N°
A0 289-10800 SHEET 2 OF 2

DRG. PRACTICE TO B.S. 308. THIRD ANGLE PROJECTION



RELEASE STATUS		Approved	
WELDING SPEC		-----	
MATERIAL SPEC		-----	
MATERIAL		SEE BOM	
TOLERANCES UNLESS OTHERWISE STATED			
LINEAR DIMENSIONS UP TO		± . . ; OVER ± . .	
ANGULAR DIMENSIONS		± . .	
SCALE		1:5	
ALL DIMENSIONS IN mm's UNLESS OTHERWISE STATED			
DRN.	PMC	SCIENCE AND TECHNOLOGY FACILITIES COUNCIL	
DATE.	06/04/17	DARESBUURY LABORATORY	
CKD.	RJS	CHESHIRE	
DATE.	29/11/19	TITLE	
APPD.	RJS	ESS BEAM TRANSPORT	
DATE.	29/11/19	BEAM PIPE ASSEMBLY	
		DMP-BPI (PIPE 1 & 2) DgLg-BPI (PIPE 1)	
		DRAWING N°	SHEET 2 OF 2
		A0 289-10800	A
USED ON			
CONTRACTORS COMPANY			
CONTRACTORS DRG N°			

THIS DRAWING IS THE PROPERTY OF STFC AND MAY NOT BE COPIED OR USED FOR ANY PURPOSE OTHER THAN THAT FOR WHICH IT IS SUPPLIED WITHOUT THE EXPRESS WRITTEN AUTHORITY OF STFC.

A FIRST ISSUE