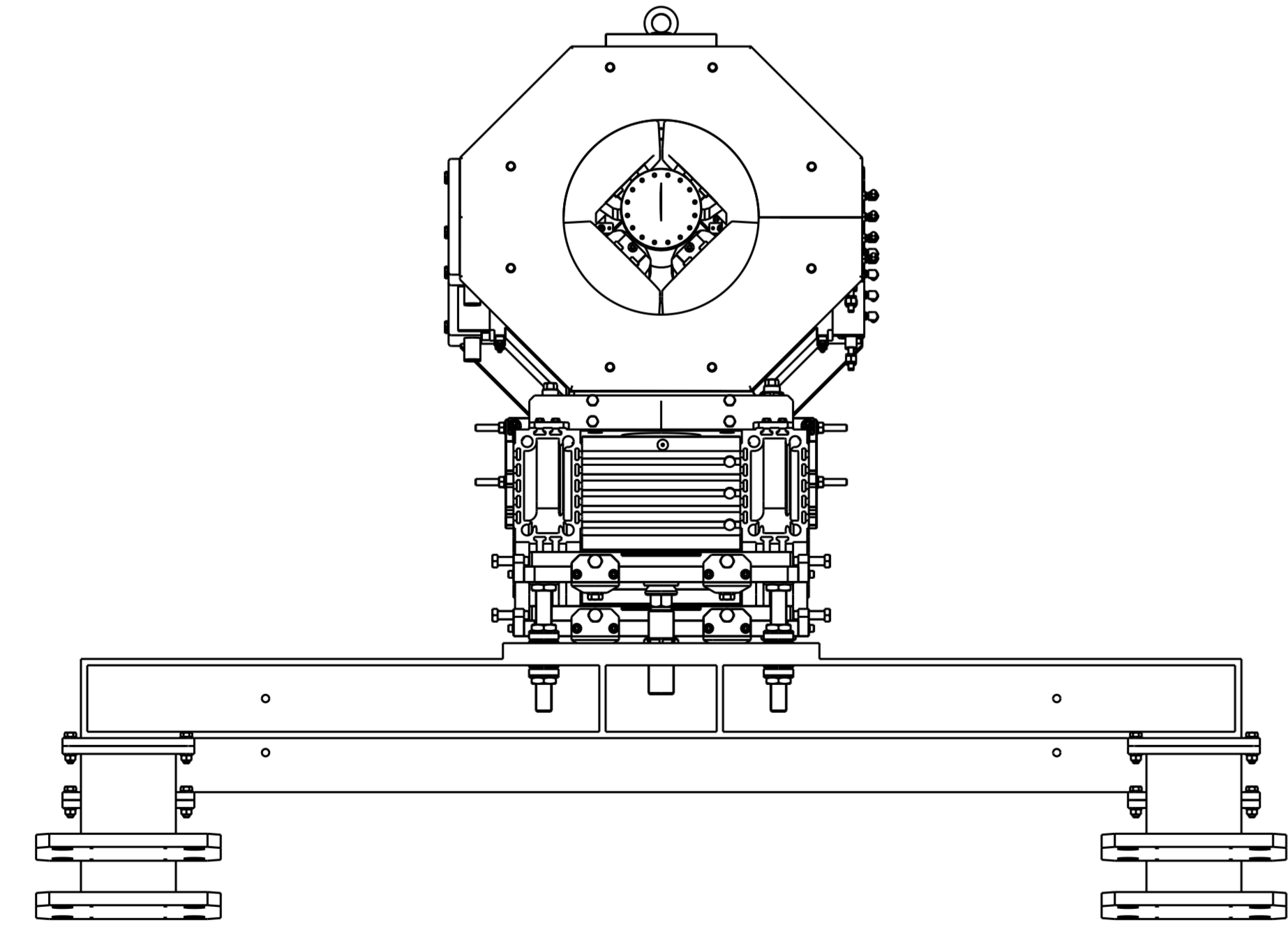
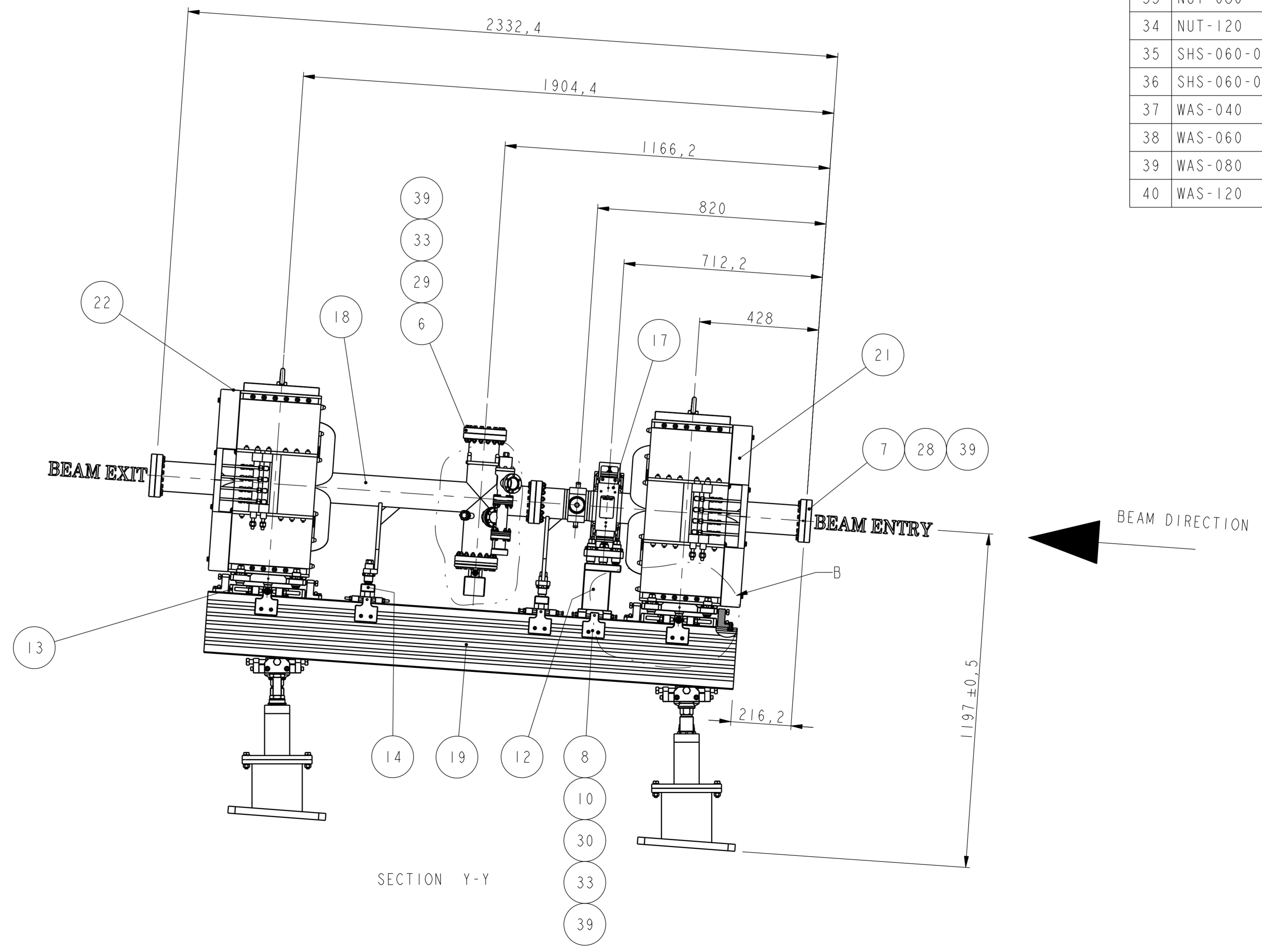
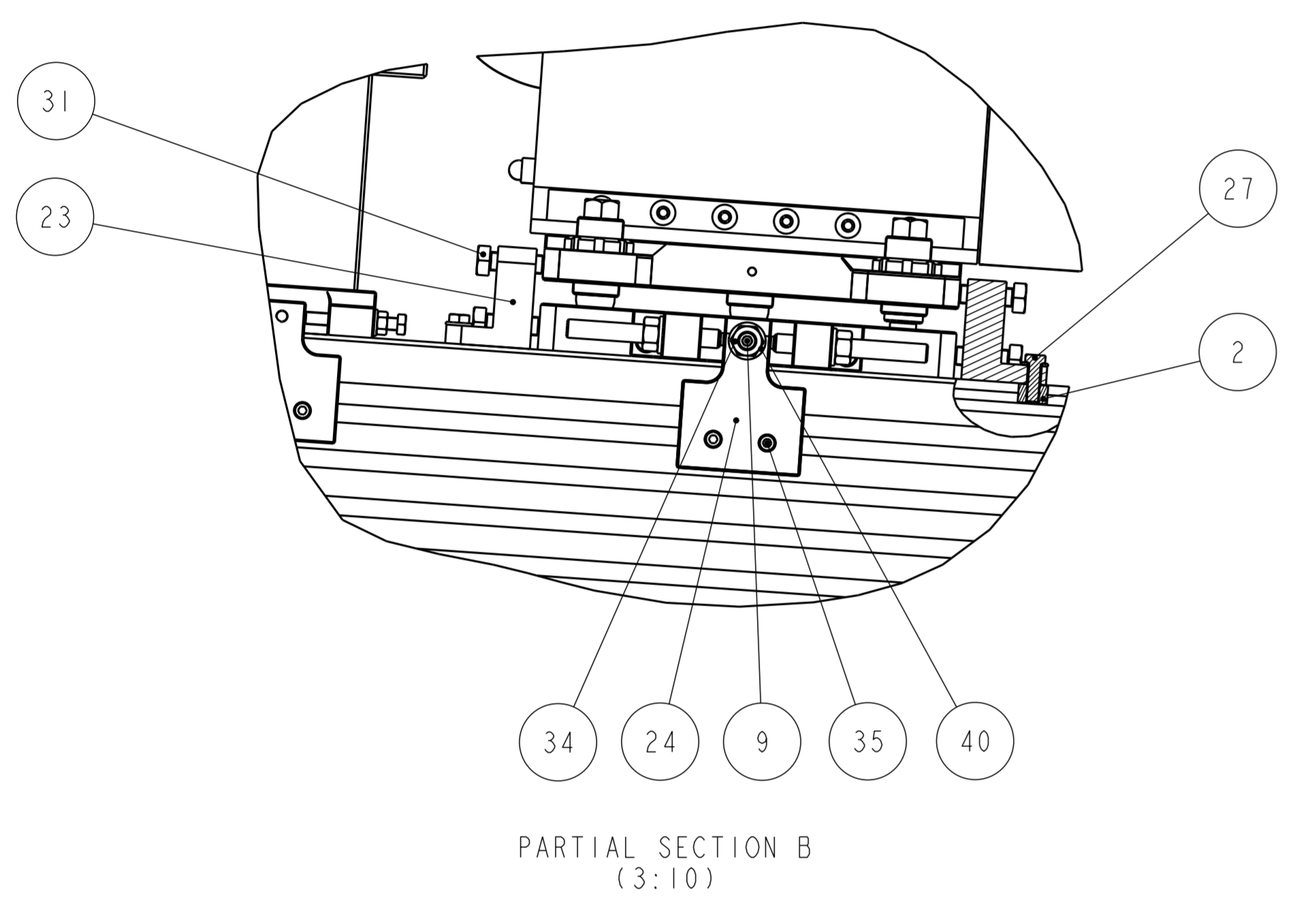
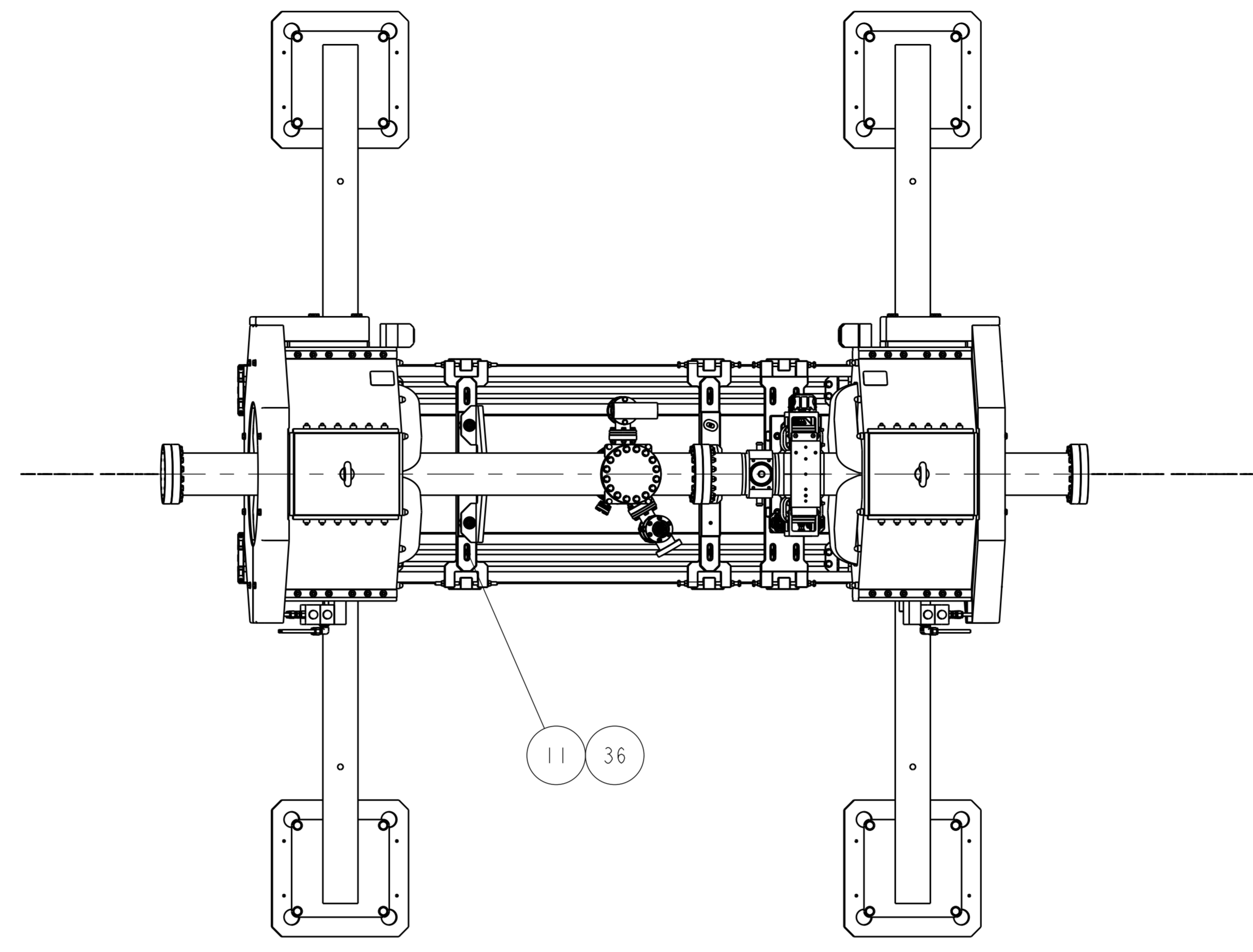
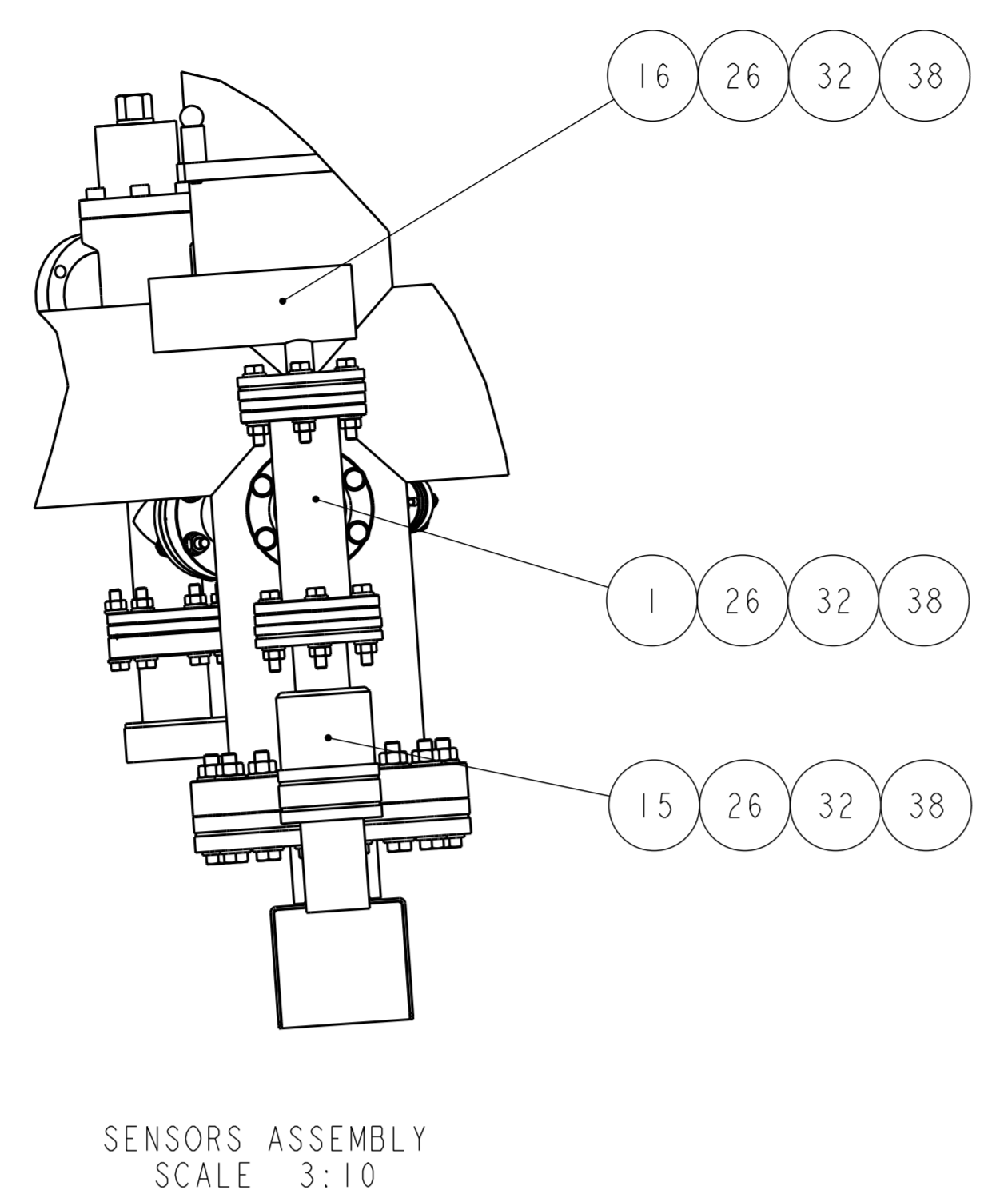
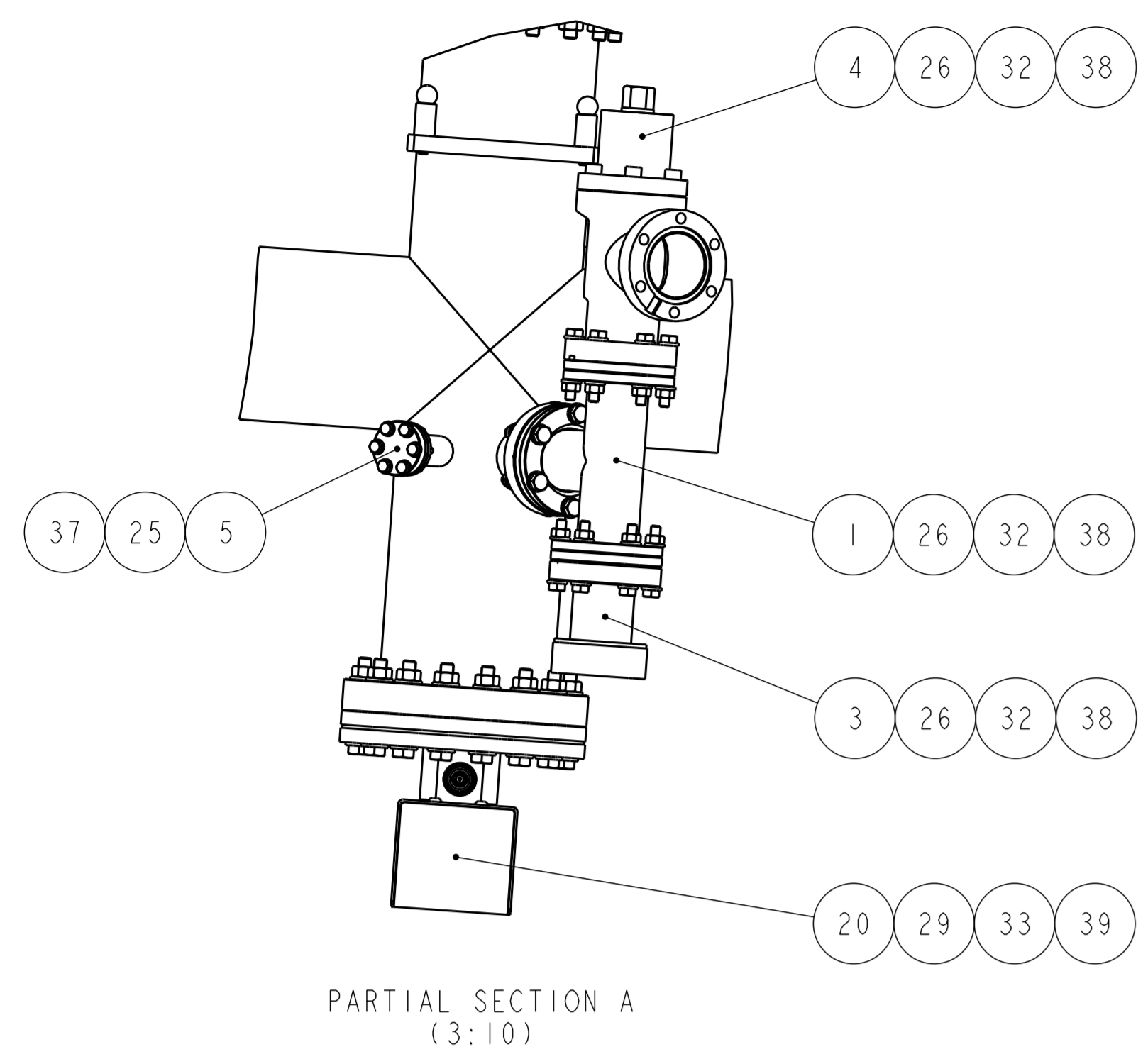


REF	DRG No.	DESCRIPTION	QTY	REMARKS
1	001-12888	DN40 TEE	2	
2	001-14202	M8 T-NUT (HEPCO HTN M8)	16	
3	001-14360	MDC UHV BURST DISK	1	
4	001-15072	VAT ALL METAL VALVE SERIES 54	1	
5	048-037-01-B	34 OD FIXED KNIFE EDGE FLANGE - BLANK	1	
6	048-037-13-B	152 OD FIXED KNIFE EDGE FLANGE - BLANK	1	
7	048-037-13-BT	152 OD FIXED KNIFE EDGE FLANGE - BLANK - TAPPED	2	
8	289-10307	ADJUSTING PLATE	10	
9	289-10308	BRASS TIPPED STEEL SET SCREW M12x100 (ONDRIVES GNI3858)	4	
10	289-10309	WIXROYD PUSHER SCREW - M8 x 65 (3416.W290)	4	
11	289-10346	M6 SLOT SCREW ADAPTOR	4	
12	289-10351	CORRECTOR COIL SUPPORT	1	
13	289-10427	MAGNET SUPPORT ASSEMBLY	2	
14	289-10452	VESSEL SUPPORT BEAM	2	
15	289-10591	COLD CATHODE SENSOR	1	
16	289-10592	PIRANI SENSOR	1	
17	289-10774	C6 CORRECTOR MAGNET	1	
18	289-10861	VACUUM VESSEL DG3	1	
19	289-10864	GIRDER / PEDISTAL ASSEMBLY	1	
20	289-10939	NextTorr 500 PUMP	1	
21	289-11435	Q7C100 QUADROPOLE MAGNET	1	
22	289-11436	Q7C101 QUADROPOLE MAGNET	1	
23	289-11568	ADJUSTING BLOCK	4	
24	289-11578	ADJUSTING PLATE	4	
25	HHS-040-020	M4 x 20 LG HEX HD SCREW	6	
26	HHS-060-040	M6 x 40 LG HEX HD SCREW	36	
27	HHS-080-025	M8 x 25 LG HEX HD SCREW	16	
28	HHS-080-040	M8 x 40 LG HEX HD SCREW	32	
29	HHS-080-055	M8 x 55 LG HEX HD SCREW	32	
30	HHS-080-060	M8 x 60 LG HEX HD SCREW	4	
31	HHS-120-035	M12 x 35 LG HEX HD SCREW	16	
32	NUT-060	M6 HEX NUT	36	
33	NUT-080	M8 HEX NUT	40	
34	NUT-120	M12 HEX NUT	4	
35	SHS-060-020	M6 x 20 LG HEX SKT HD CAP SCREW	20	
36	SHS-060-035	M6 x 35 LG HEX SKT HD CAP SCREW	4	
37	WAS-040	M4 PLAIN WASHER	6	
38	WAS-060	M6 PLAIN WASHER	72	
39	WAS-080	M8 PLAIN WASHER	120	
40	WAS-120	M12 PLAIN WASHER	4	



RELEASE STATUS	Approved		
WELDING SPEC.		
MATERIAL SPEC.		
MATERIAL	SEE BOM		
TOLERANCES UNLESS OTHERWISE STATED			
LINEAR DIMENSIONS UP TO ± ; OVER ±			
ANGULAR DIMENSIONS ±			
ALL DIMENSIONS IN mm UNLESS OTHERWISE STATED			
TOLERANCING ISO 8015			
DRN.	PMC	SCIENCE AND TECHNOLOGY FACILITIES COUNCIL	
DATE.	03/10/18	DARESBURY LABORATORY	
CKD.	RJS	CHESHIRE	
DATE.	28/11/19	TITLE	
APPD.	RJS	ESS BEAM TRANSPORT	
DATE.	28/11/19	DOG LEG 3 LWU	
		DG3	
		DRG. NO.	SHEET 1 OF 2
		A0	289-10860
		PTC CAD PART No.	289-10860
USED ON			A

THIS DRAWING IS THE PROPERTY OF STFC AND MAY NOT BE COPIED OR USED FOR ANY PURPOSE OTHER THAN THAT FOR WHICH IT IS SUPPLIED WITHOUT THE EXPRESS WRITTEN AUTHORITY OF STFC.

THE ENVELOPE REQUIREMENT © APPLIES TO ALL FEATURES OF SIZE UNLESS OTHERWISE STATED. SEE ISO 14405-1 FOR DETAILS.

A FIRST ISSUE