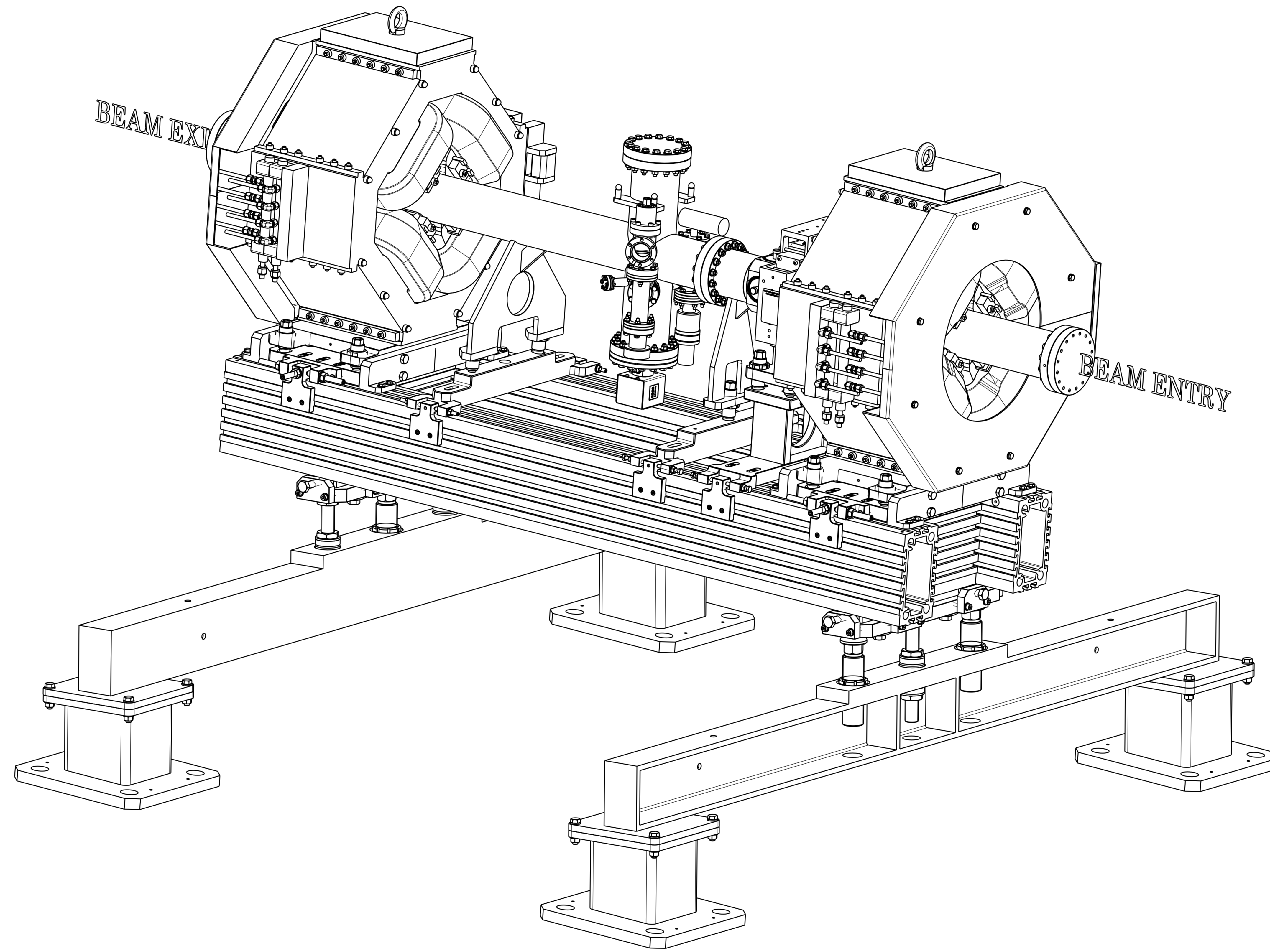


CONFORMS TO BS 8888 THIRD ANGLE PROJECTION

A0 289-10860



RELEASE STATUS		Approved	
WELDING SPEC.		.....	
MATERIAL SPEC.		.....	
MATERIAL		SEE BOM	
TOLERANCES UNLESS OTHERWISE STATED			
LINEAR DIMENSIONS UP TO		..... ± .. ; OVER .. ± ..	
ANGULAR DIMENSIONS		± ..	
ALL DIMENSIONS IN mm UNLESS OTHERWISE STATED			
<b>TOLERANCING ISO 8015</b>			
DRN.	PMC	SCIENCE AND TECHNOLOGY FACILITIES COUNCIL	
DATE.	03/10/18	DARESBUURY LABORATORY	
CKD.	RJS	CHESHIRE	
DATE.	28/11/19	TITLE	
APPD.	RJS	ESS BEAM TRANSPORT	
DATE.	28/11/19	DOG LEG 3 LWU	
		DG3	
		A0 289-10860 SHEET 2 OF 2	
		PTC CAD PART No 289-10860	
USED ON		A	

THIS DRAWING IS THE PROPERTY OF STFC AND MAY NOT BE COPIED OR USED FOR ANY PURPOSE OTHER THAN THAT FOR WHICH IT IS SUPPLIED WITHOUT THE EXPRESS WRITTEN AUTHORITY OF STFC.

THE ENVELOPE REQUIREMENT © APPLIES TO ALL FEATURES OF SIZE UNLESS OTHERWISE STATED. SEE ISO 14405-1 FOR DETAILS.

A FIRST ISSUE