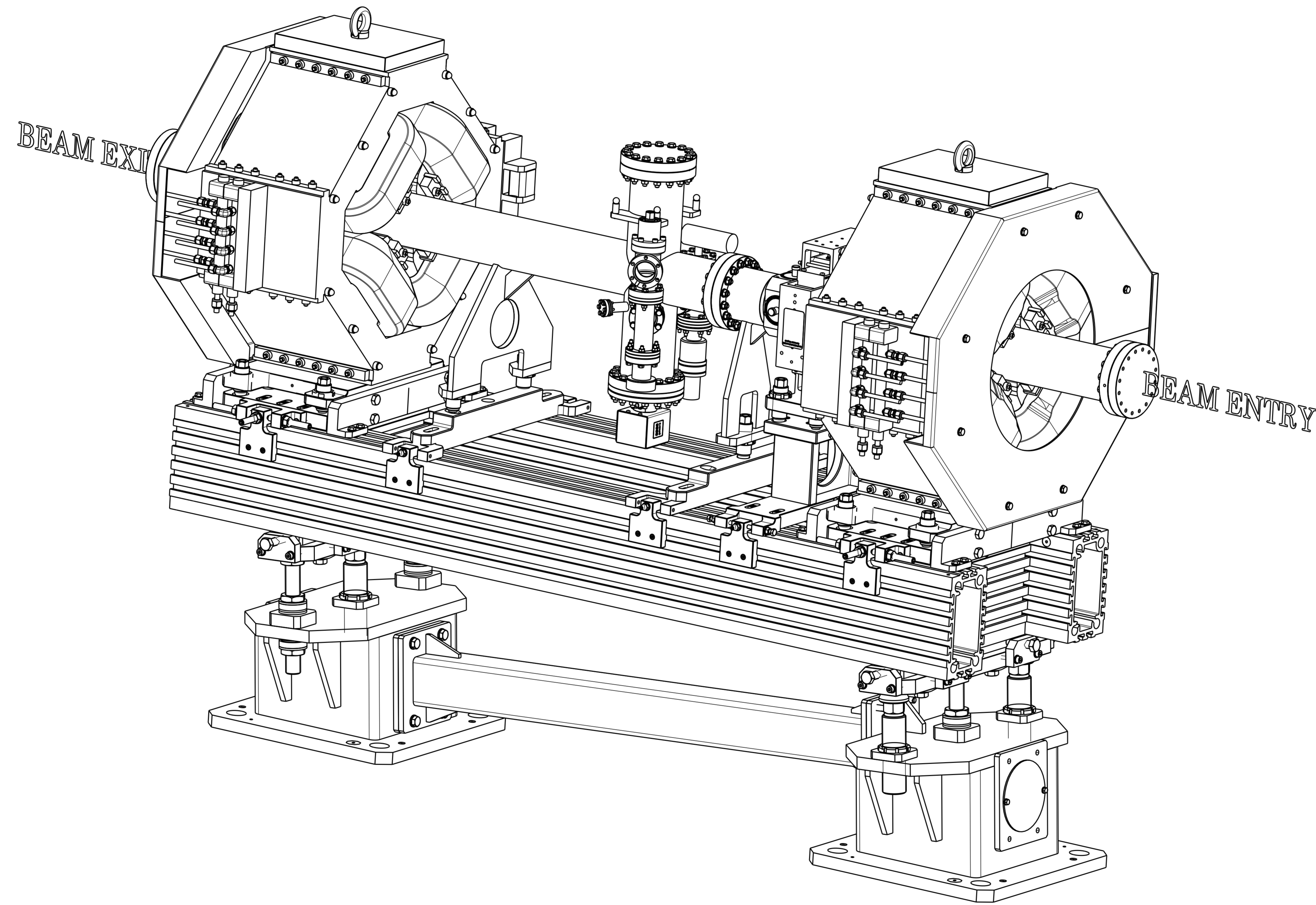


A0 289-10877

CONFORMS TO BS 8888 THIRD ANGLE PROJECTION



|  |          |   |              |
|--|----------|---|--------------|
| RELEASE STATUS                               |          | Approved                                  |              |
| WELDING SPEC.                                |          | .....                                     |              |
| MATERIAL SPEC.                               |          | .....                                     |              |
| MATERIAL                                     |          | SEE BOM                                   |              |
| TOLERANCES UNLESS OTHERWISE STATED           |          |   |              |
| LINEAR DIMENSIONS UP TO                      |          | ± . . ; OVER ± . .                        |              |
| ANGULAR DIMENSIONS                           |          | ± . .                                     |              |
| ALL DIMENSIONS IN mm UNLESS OTHERWISE STATED |          |   |              |
| <b>TOLERANCING ISO 8015</b>                  |          |   |              |
| DRN.   | PMC      | SCIENCE AND TECHNOLOGY FACILITIES COUNCIL |              |
| DATE.  | 26/07/19 | DARESBUURY LABORATORY                     |              |
| CKD.   | RJS      | CHESHIRE                                  |              |
| DATE.  | 25/07/19 | TITLE                                     |              |
| APPD.  | RJS      | DG3 No2                                   |              |
| DATE.  | 25/07/19 | DogLeg 3 LWU                              |              |
|  |          | ESS BEAM TRANSPORT                        |              |
|  |          | DRG. NO.                                  | SHEET 2 OF 2 |
|  |          | A0  | 289-10877    |
|  |          | PTC CAD PART No                           | 289-10877    |
|  |          | USED ON                                   | 289-10026    |

THIS DRAWING IS THE PROPERTY OF STFC AND MAY NOT BE COPIED OR USED FOR ANY PURPOSE OTHER THAN THAT FOR WHICH IT IS SUPPLIED WITHOUT THE EXPRESS WRITTEN AUTHORITY OF STFC.

THE ENVELOPE REQUIREMENT © APPLIES TO ALL FEATURES OF SIZE UNLESS OTHERWISE STATED. SEE ISO 14405-1 FOR DETAILS.

A FIRST ISSUE