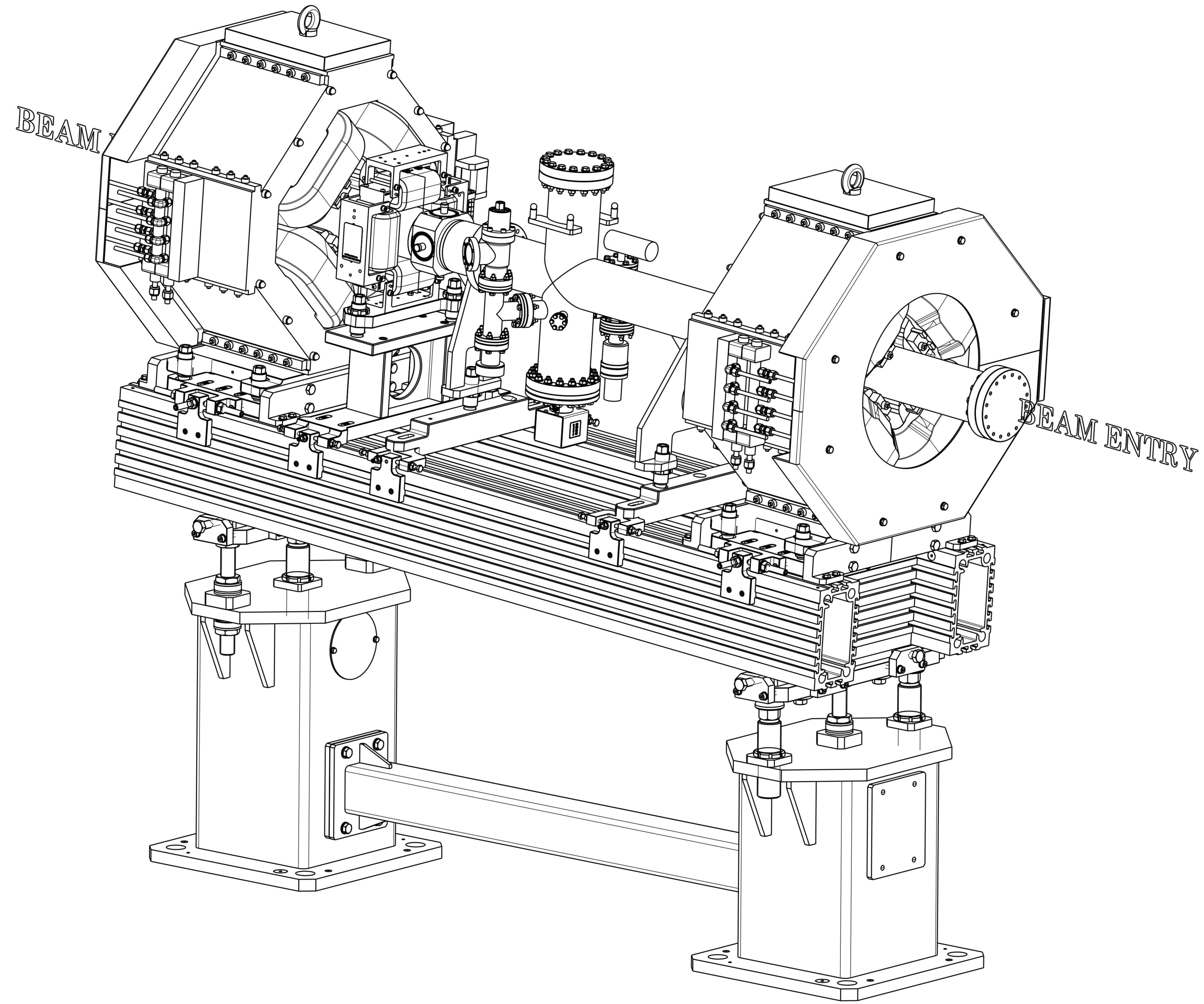


CONFORMS TO BS 8888 THIRD ANGLE PROJECTION

DRG. NO. SHEET 2 OF 2
A0 289-10884



RELEASE STATUS		Approved	
WELDING SPEC.		
MATERIAL SPEC.		
MATERIAL		SEE BOM	
TOLERANCES UNLESS OTHERWISE STATED			
LINEAR DIMENSIONS UP TO		± . . ; OVER ± . .	
ANGULAR DIMENSIONS		± . .	
ALL DIMENSIONS IN mm UNLESS OTHERWISE STATED			
TOLERANCING ISO 8015			
DRN.	PMC	SCIENCE AND TECHNOLOGY FACILITIES COUNCIL	
DATE.	29/07/19	DARESBUURY LABORATORY	
CKD.	RJS	CHESHIRE	
DATE.	28/11/19	TITLE	
APPD.	RJS	ESS BEAM TRANSPORT	
DATE.	28/11/19	DOG LEG 2 LWU	
		DG2 No3	
		DRG. NO.	SHEET 2 OF 2
		A0	289-10884
		PTC CAD PART No	289-10884
		USED ON	289-10026

THIS DRAWING IS THE PROPERTY OF STFC AND MAY NOT BE COPIED OR USED FOR ANY PURPOSE OTHER THAN THAT FOR WHICH IT IS SUPPLIED WITHOUT THE EXPRESS WRITTEN AUTHORITY OF STFC.

THE ENVELOPE REQUIREMENT © APPLIES TO ALL FEATURES OF SIZE UNLESS OTHERWISE STATED. SEE ISO 14405-1 FOR DETAILS.

FIRST ISSUE
A