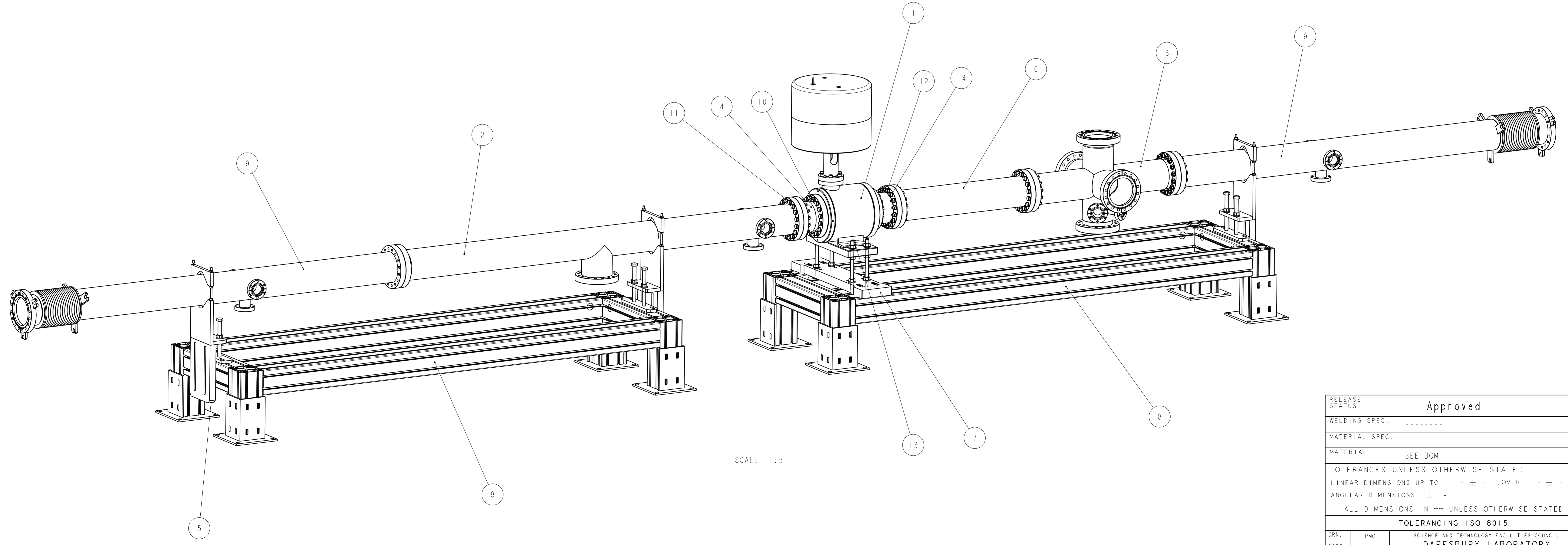
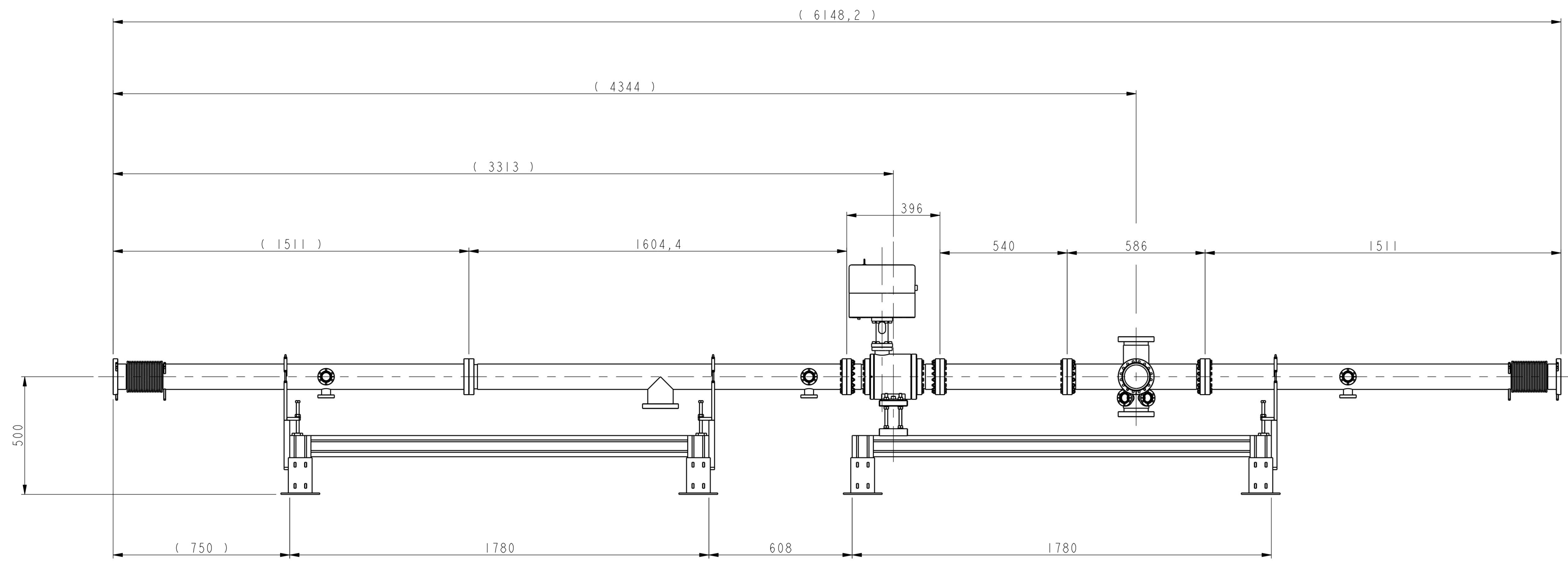


REF	DRG No.	DESCRIPTION	QTY	REMARKS
1	289-10504	COMVAT FLAPPER VALVE 77140-CE44	1	
2	289-10725	BEAM PIPE 2 PORT FAB	1	
3	289-10791	BEAM TUBE CENTRAL FABRICATION	1	
4	289-10794	VALVE STUB ASSEMBLY	2	
5	289-10852	PIPE SUPPORT ASSEMBLY	3	
6	289-10993	BEAM PIPE TUBE FABRICATION	1	
7	289-11002	VALVE SUPPORT ASSEMBLY	1	
8	289-11622	SUPPORT STAND	2	
9	289-11643	BEAM PIPE TUBE FABRICATION C/W PORTS	2	
10	HHS-080-035	M8 x 35 LG HEX HD SCREW	32	
11	HHS-080-055	M8 x 55 LG HEX HD SCREW	64	
12	NUT-080	M8 HEX NUT	64	
13	SHS-120-030	M12 x 30 LG HEX SKT HD CAP SCREW	2	
14	WAS-080	M8 PLAIN WASHER	160	



SCALE 1:5

RELEASE STATUS	Approved		
WELDING SPEC.		
MATERIAL SPEC.		
MATERIAL	SEE BOM		
TOLERANCES UNLESS OTHERWISE STATED			
LINEAR DIMENSIONS UP TO ± ; OVER ±			
ANGULAR DIMENSIONS ±			
ALL DIMENSIONS IN mm UNLESS OTHERWISE STATED			
TOLERANCING ISO 8015			
DRN.	PMC	SCIENCE AND TECHNOLOGY FACILITIES COUNCIL	
DATE.	14/11/18	DARESBUURY LABORATORY	
CKD.	PMA	CHESHIRE	
DATE.	29/11/19	TITLE	
APPD.	PMA	ESS BEAM TRANSPORT	
DATE.	29/11/19	BEAM PIPE ASSEMBLY	
		DMP-BP3	
		A0	DRG. NO. 289-10991 SHEET 1 OF 1
			ISSUE
			A
USED ON		289-10026	

THIS DRAWING IS THE PROPERTY OF STFC AND MAY NOT BE COPIED OR USED FOR ANY PURPOSE OTHER THAN THAT FOR WHICH IT IS SUPPLIED WITHOUT THE EXPRESS WRITTEN AUTHORITY OF STFC.

THE ENVELOPE REQUIREMENT © APPLIES TO ALL FEATURES OF SIZE UNLESS OTHERWISE STATED. SEE ISO 14405-1 FOR DETAILS.

A FIRST ISSUE