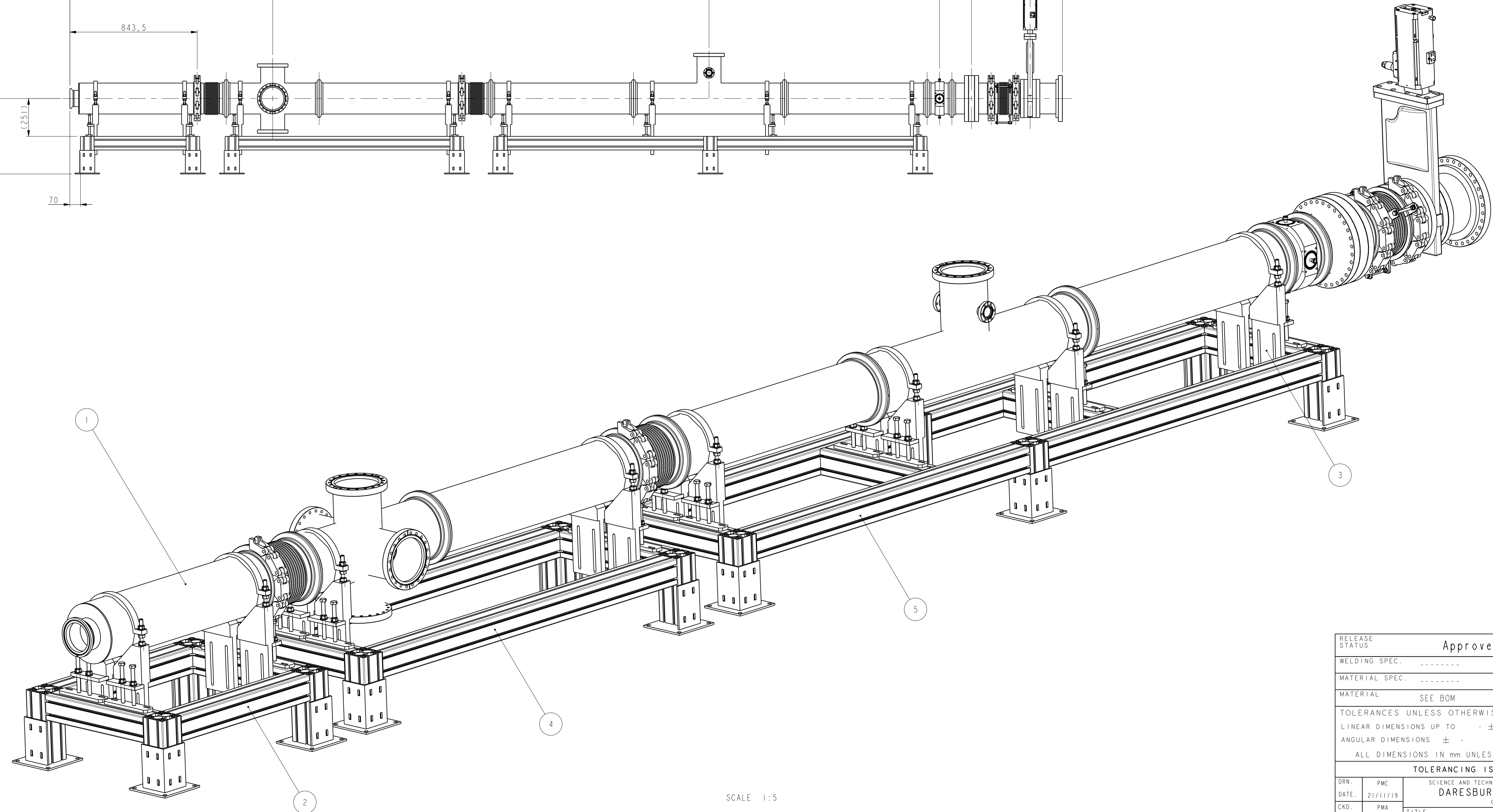
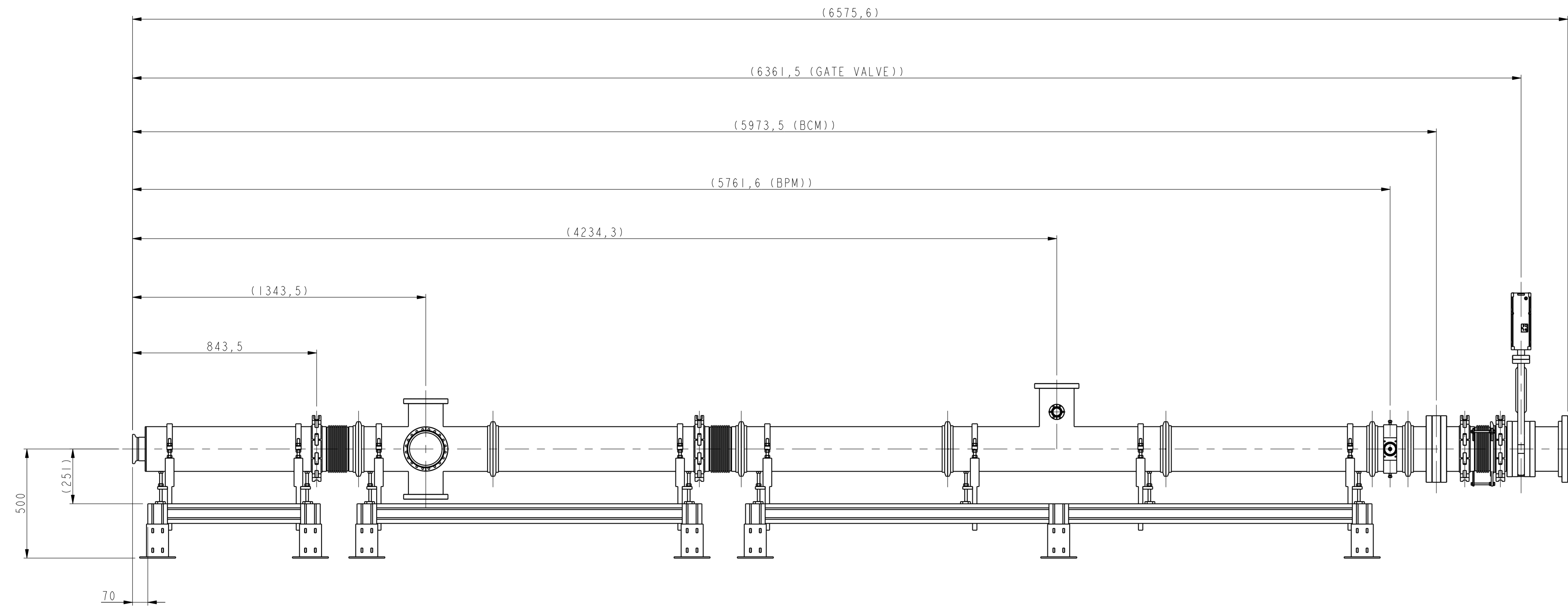


REF	DRG No.	DESCRIPTION	QTY	REMARKS
1	289-10997	VACUUM VESSEL ASSEMBLY	1	
2	289-11013	SUPPORT STAND	1	
3	289-11038	BEAM PIPE SUPPORT (205 PIPE)	8	
4	289-11864	SUPPORT STAND	1	
5	289-11865	SUPPORT STAND	1	



SCALE 1:5

RELEASE STATUS	Approved		
WELDING SPEC.	.....		
MATERIAL SPEC.	.....		
MATERIAL	SEE BOM		
TOLERANCES UNLESS OTHERWISE STATED	LINEAR DIMENSIONS UP TO ± . . ; OVER ± . .		
	ANGULAR DIMENSIONS ± . .		
	ALL DIMENSIONS IN mm UNLESS OTHERWISE STATED		
<b>TOLERANCING ISO 8015</b>			
DRN.	PMC	SCIENCE AND TECHNOLOGY FACILITIES COUNCIL	
DATE.	21/11/19	DARESBUURY LABORATORY	
		CHESHIRE	
CKD.	PMA	TITLE	
DATE.	29/11/19	ESS BEAM TRANSPORT	
		BEAM PIPE ASSEMBLY	
APPD.	PMA	DMP-BP4	
DATE.	29/11/19		
		DRG. NO.	SHEET 1 OF 2
		A0	289-10996
		PIC CAD PART No	289-10996
		USED ON	289-10026

THIS DRAWING IS THE PROPERTY OF STFC AND MAY NOT BE COPIED OR USED FOR ANY PURPOSE OTHER THAN THAT FOR WHICH IT IS SUPPLIED WITHOUT THE EXPRESS WRITTEN AUTHORITY OF STFC.

THE ENVELOPE REQUIREMENT © APPLIES TO ALL FEATURES OF SIZE UNLESS OTHERWISE STATED. SEE ISO 14405-1 FOR DETAILS.