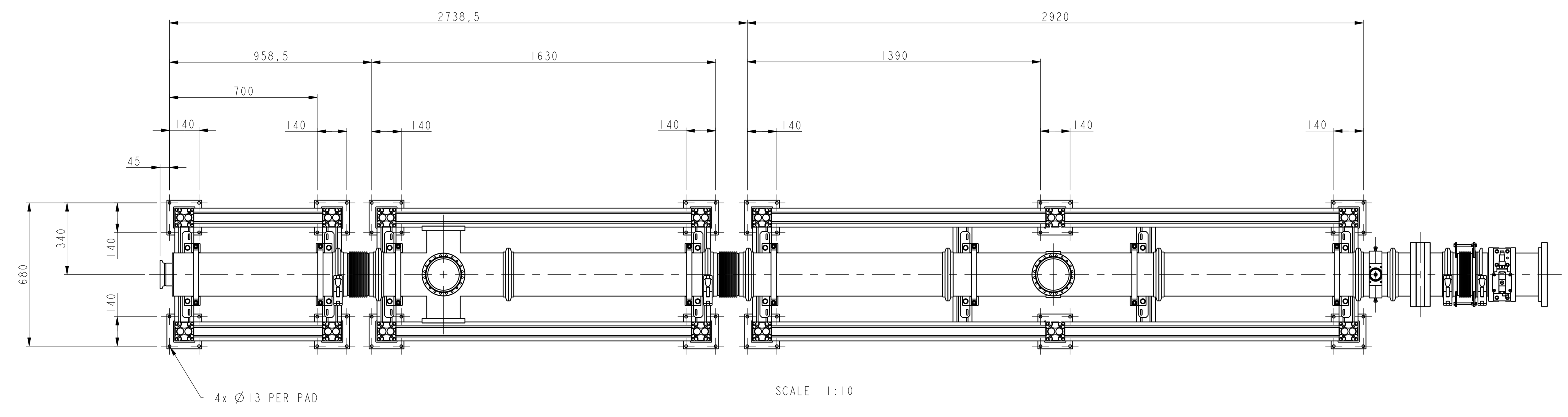


DRG. NO. SHEET 2 OF 2  
**A0 289-10996**



RELEASE STATUS		Approved	
WELDING SPEC.		.....	
MATERIAL SPEC.		.....	
MATERIAL		SEE BOM	
TOLERANCES UNLESS OTHERWISE STATED			
LINEAR DIMENSIONS UP TO		. ± . ; OVER . ± .	
ANGULAR DIMENSIONS		± .	
ALL DIMENSIONS IN mm UNLESS OTHERWISE STATED			
<b>TOLERANCING ISO 8015</b>			
DRN.	PMC	SCIENCE AND TECHNOLOGY FACILITIES COUNCIL	
DATE.	21/11/19	<b>DARESBURY LABORATORY</b>	
CKD.	PMA	CHESHIRE	
DATE.	29/11/19	TITLE	
APPD.	PMA	ESS BEAM TRANSPORT	
DATE.	29/11/19	BEAM PIPE ASSEMBLY	
		DMP-BP4	
		A0	DRG. NO. SHEET 2 OF 2 ISSUE
		289-10996	
		PTC CAD PART No 289-10996	
		USED ON 289-10026	

A FIRST ISSUE

THIS DRAWING IS THE PROPERTY OF STFC AND MAY NOT BE COPIED OR USED FOR ANY PURPOSE OTHER THAN THAT FOR WHICH IT IS SUPPLIED WITHOUT THE EXPRESS WRITTEN AUTHORITY OF STFC.

THE ENVELOPE REQUIREMENT © APPLIES TO ALL FEATURES OF SIZE UNLESS OTHERWISE STATED. SEE ISO 14405-1 FOR DETAILS.