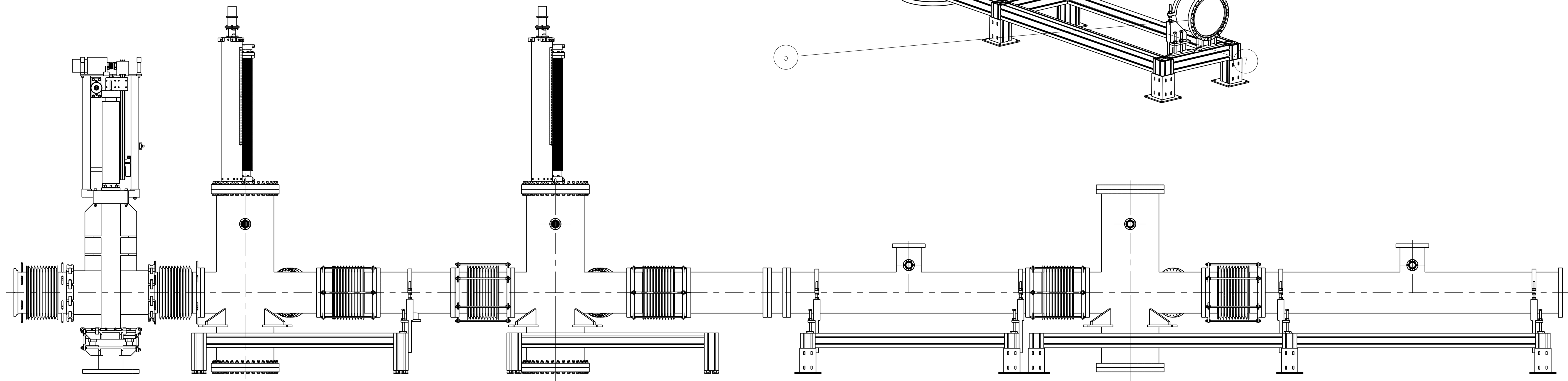
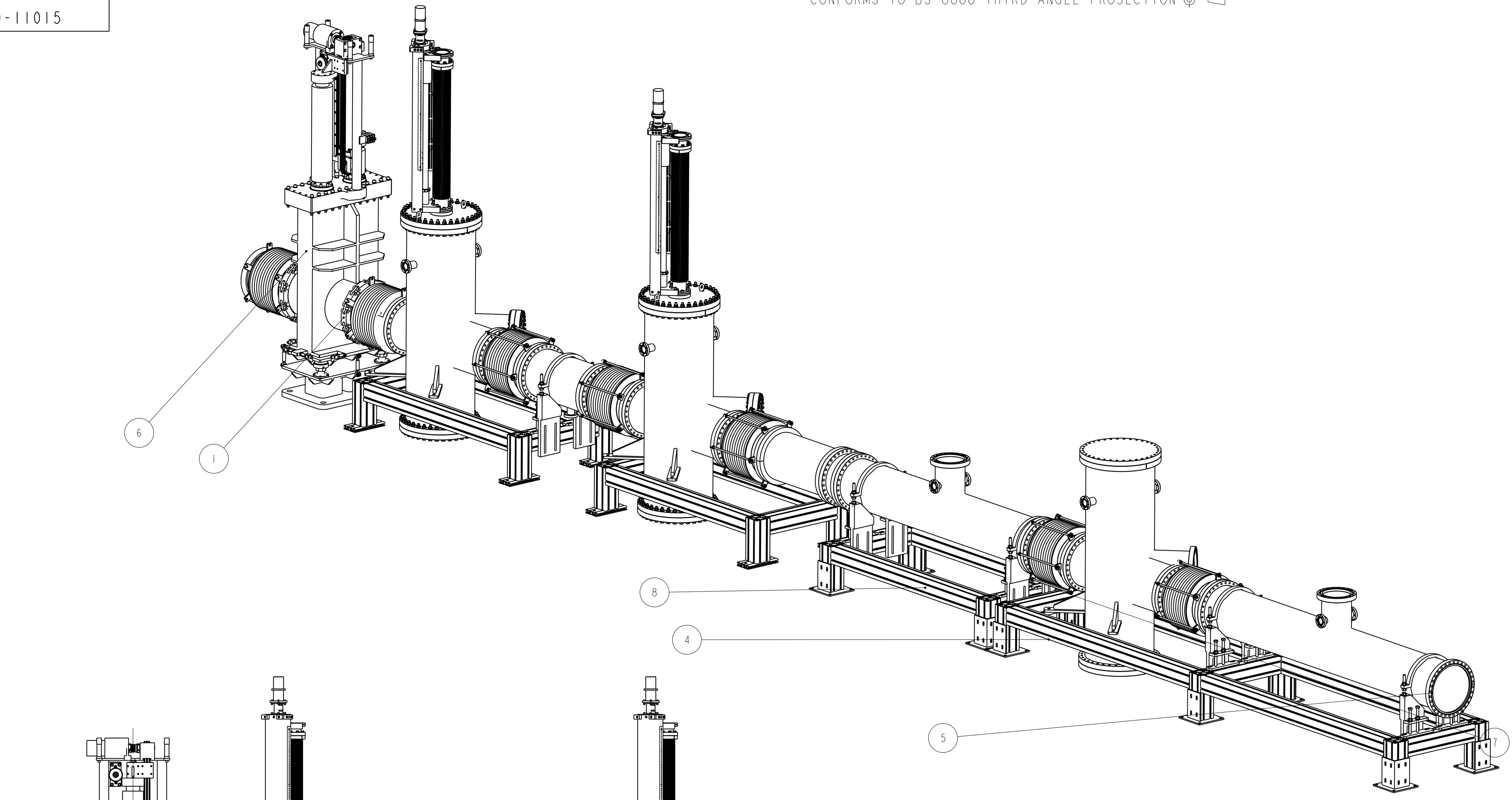


DRG. NO. SHEET 1 OF 1
 A0 289-11015

CONFORMS TO BS 8888 THIRD ANGLE PROJECTION

REF	DRG No.	DESCRIPTION	QTY	REMARKS
1	001-14983	.	4	
2	289-10309	WIXROYD PUSHER SCREW - M8 x 65 (3416.W290)		
3	289-10964	SUPPORT STAND	1	
4	289-11014	SUPPORT STAND	1	
5	289-11016	PIPE ASSEMBLY	1	
6	289-11021	GAMMA BLOCKER	1	
7	289-11037	BEAM PIPE SUPPORT (254 PIPE)	5	
8	289-11052	SUPPORT STAND	1	
9	289-11836	SUPPORT STAND	1	
10	289-11916	SLIDER BLOCK	1	
11	289-11917	PUSHERBLOCK	2	
12	289-11918	ADJUSTING PLATE	1	
13	NUT-080	M8 HEX NUT	1	
14	WAS-080	M8 PLAIN WASHER	1	



RELEASE STATUS		Approved	
WELDING SPEC.		
MATERIAL SPEC.		
MATERIAL		
TOLERANCES UNLESS OTHERWISE STATED			
LINEAR DIMENSIONS UP TO ± ; OVER ±			
ANGULAR DIMENSIONS ±			
ALL DIMENSIONS IN mm UNLESS OTHERWISE STATED			
TOLERANCING ISO 8015			
DRN.	PMA	SCIENCE AND TECHNOLOGY FACILITIES COUNCIL	
DATE.	21/11/19	DARESURY LABORATORY	
CKD.	PMA	CHESHIRE	
DATE.	29/11/19	TITLE	
APPD.	PMA	
DATE.	29/11/19	
A0		DRG. NO.	SHEET 1 OF 1
A0		DRG. NO.	289-11015
A		PIC CAD PART No	289-11015
USED ON		289-10026	

THIS DRAWING IS THE PROPERTY OF STFC AND MAY NOT BE COPIED OR USED FOR ANY PURPOSE OTHER THAN THAT FOR WHICH IT IS SUPPLIED WITHOUT THE EXPRESS WRITTEN AUTHORITY OF STFC.

THE ENVELOPE REQUIREMENT © APPLIES TO ALL FEATURES OF SIZE UNLESS OTHERWISE STATED. SEE ISO 14405-1 FOR DETAILS.

A FIRST ISSUE