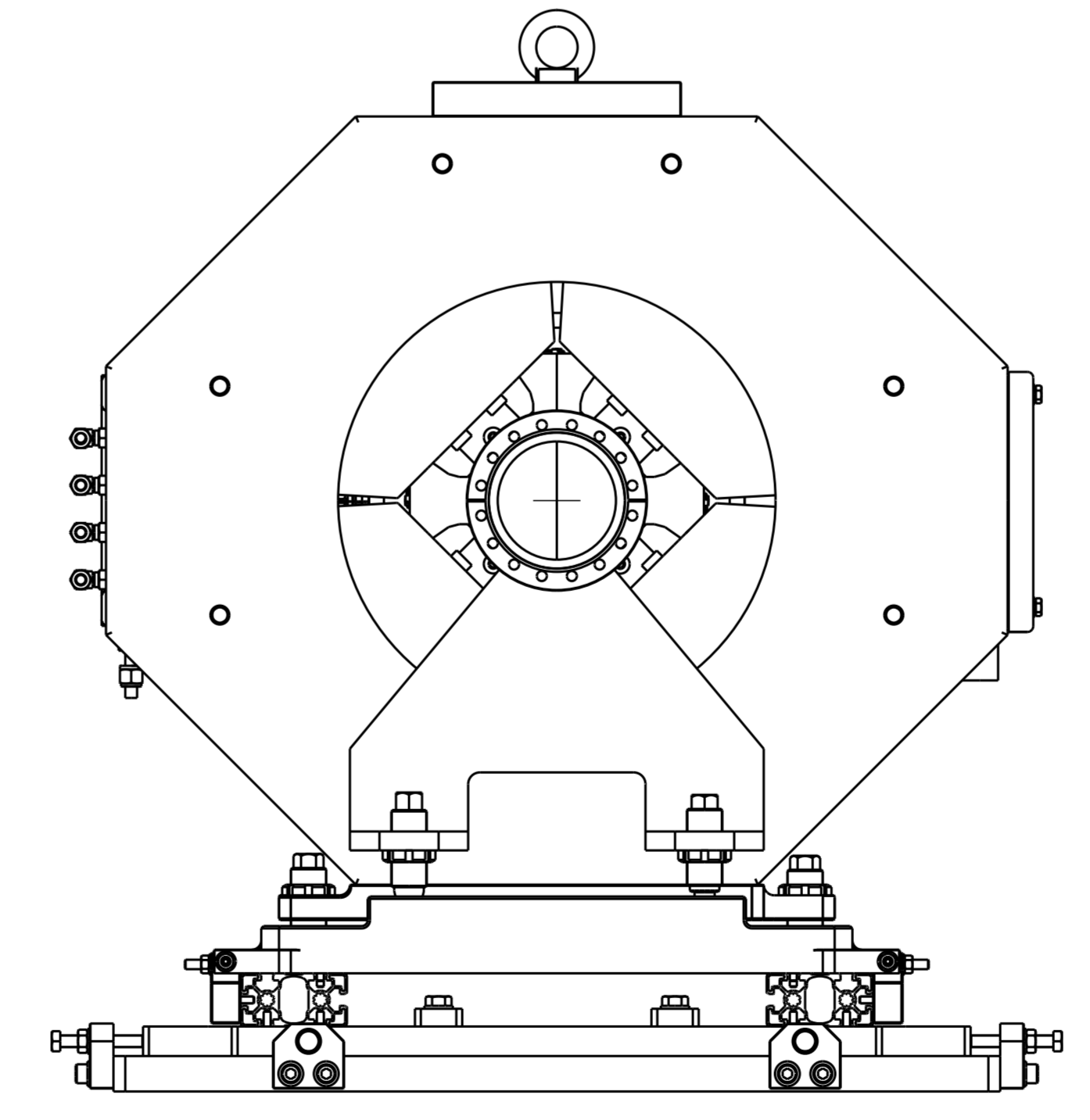
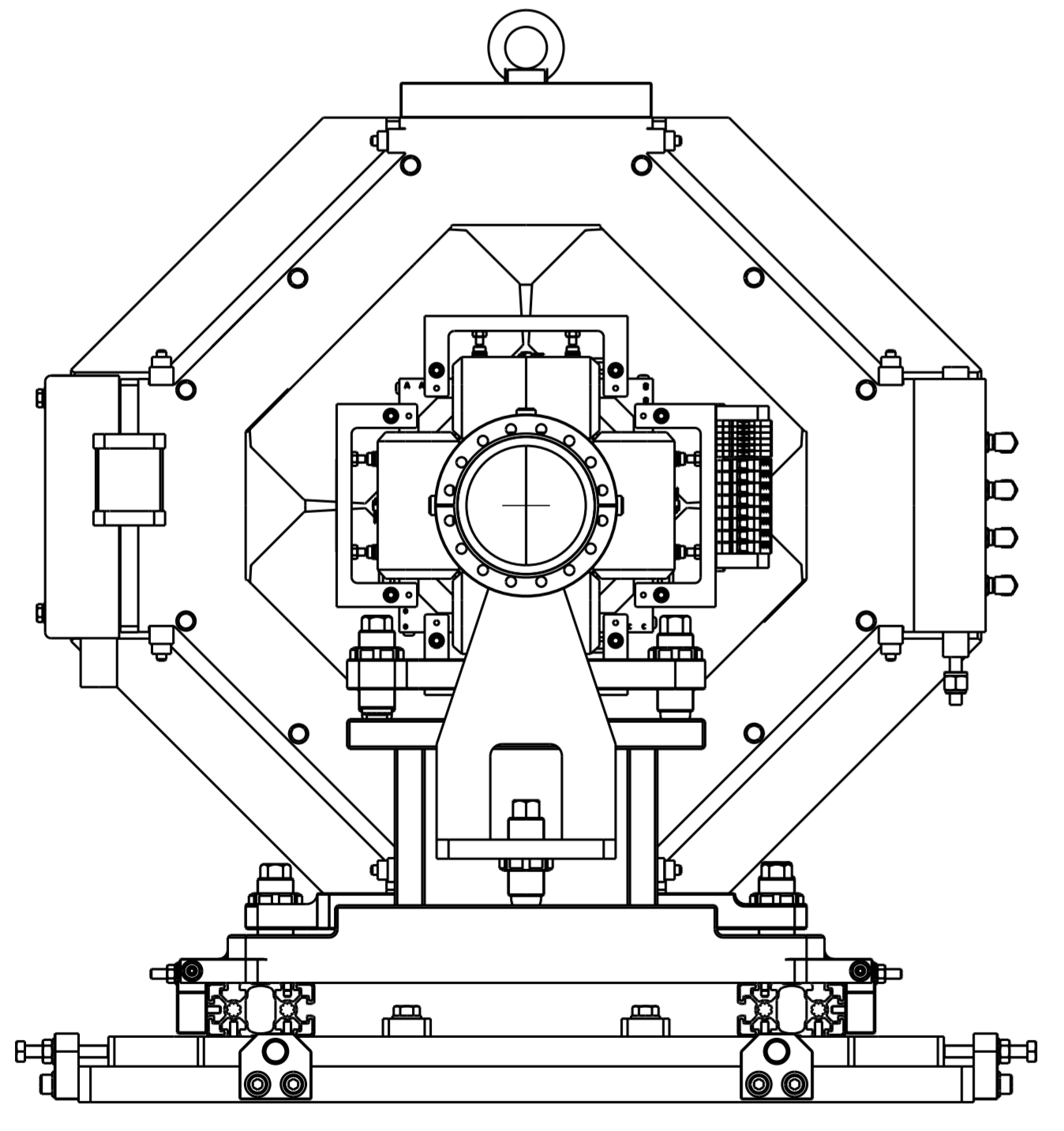
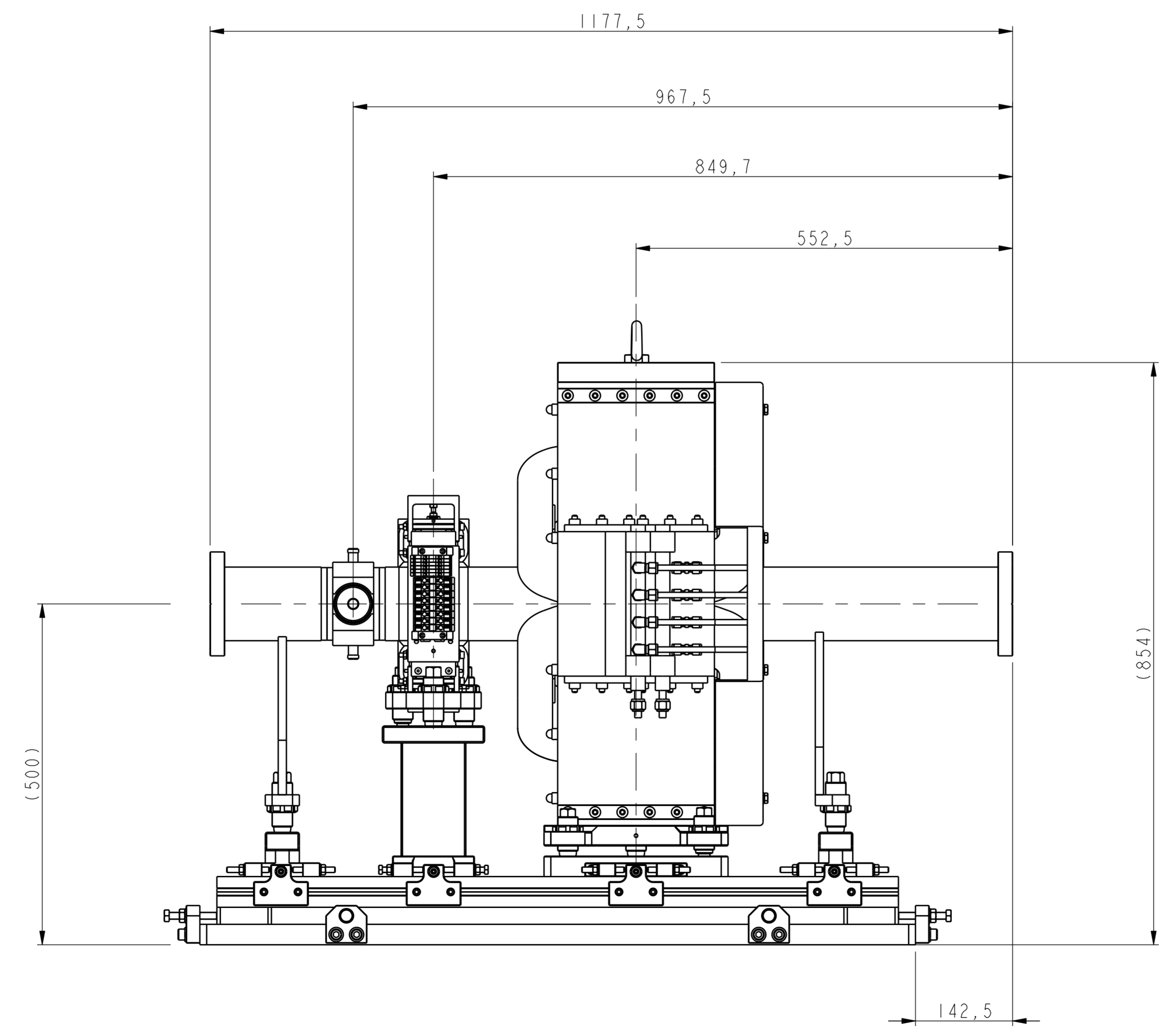
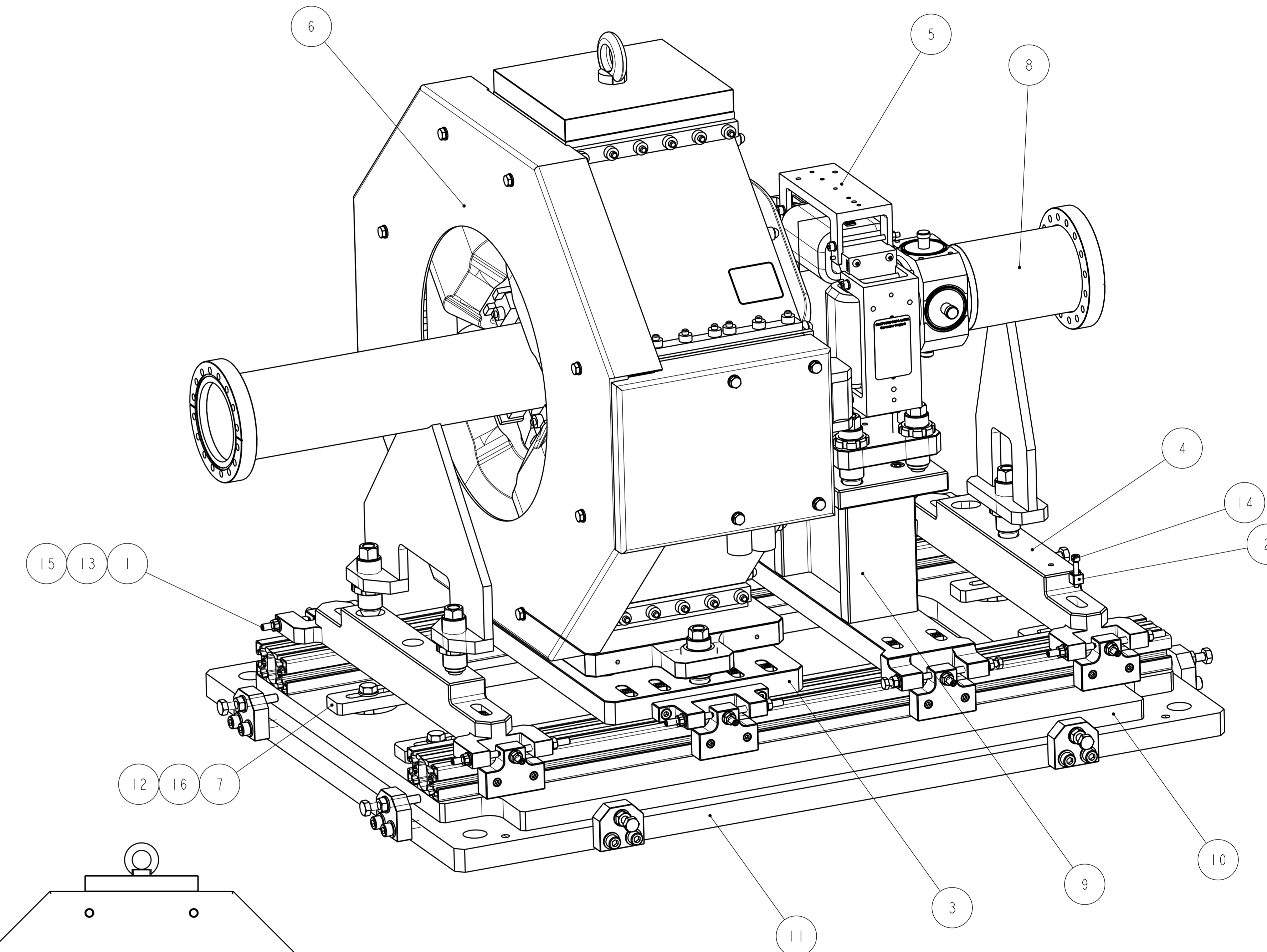
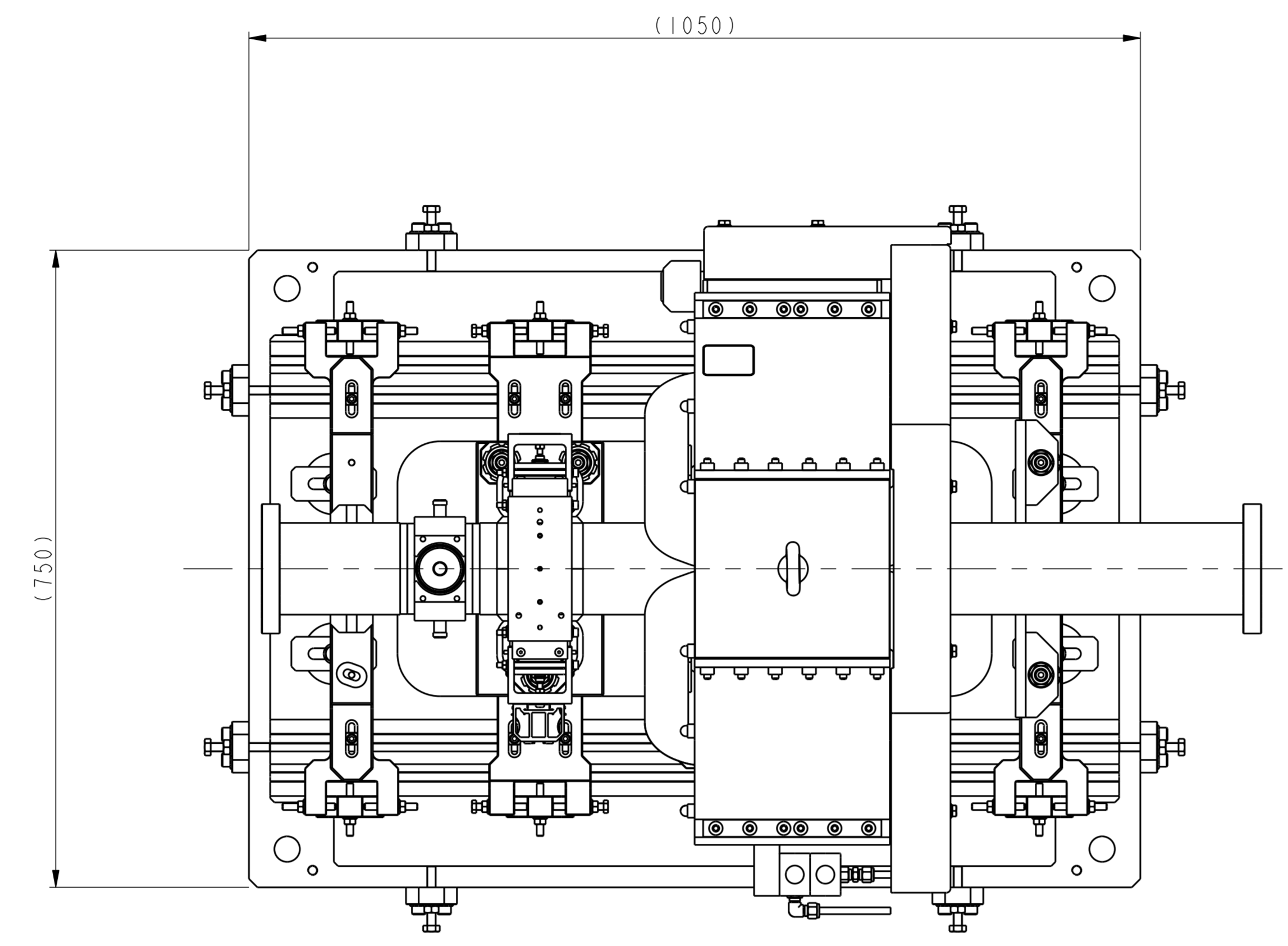


REF	DRG No.	DESCRIPTION	QTY	REMARKS
1	289-10309	WIXROYD PUSHER SCREW - M8 x 65 (3416.W290)	8	
2	289-10346	M6 SLOT SCREW ADAPTOR	4	
3	289-10428	MAGNET SUPPORT ASSEMBLY	1	
4	289-10452	VESSEL SUPPORT BEAM	2	
5	289-10774	C6 CORRECTOR MAGNET	1	
6	289-11433	Q6C100 QUADROPOLE MAGNET	1	
7	289-11718	CLAMPING BAR	4	
8	289-11810	DMP1 No 2 & 3 VESSEL ASSY	1	
9	289-11812	CORRECTOR COIL SUPPORT	1	
10	289-11896	DUMPLINE 2 & 3 GIRDER ASSEMBLY	1	
11	289-11898	BASE PLATE ASSEMBLY	1	
12	HHS-120-070	M12 x 70 LG HEX HD SCREW	4	
13	NUT-080	M8 HEX NUT	8	
14	SHS-060-035	M6 x 35 LG HEX SKT HD CAP SCREW	4	
15	WAS-080	M8 PLAIN WASHER	8	
16	WAS-120	M12 PLAIN WASHER	4	



RELEASE STATUS		Approved	
WELDING SPEC.		-----	
MATERIAL SPEC.		-----	
MATERIAL		SEE BOM	
TOLERANCES UNLESS OTHERWISE STATED			
LINEAR DIMENSIONS UP TO ± . . . OVER ± . . .			
ANGULAR DIMENSIONS ± . . .			
ALL DIMENSIONS IN mm UNLESS OTHERWISE STATED			
<b>TOLERANCING ISO 8015</b>			
DRN.	PMC	SCIENCE AND TECHNOLOGY FACILITIES COUNCIL	
DATE.	07/12/18	DARESBURY LABORATORY	
CKD.	RJS	CHESHIRE	
DATE.	13/11/19	TITLE	
APPD.	RJS	ESS BEAM TRANSPORT	
DATE.	13/11/19	DUMP LINE LWU 2 & 3	
A0		DRG. NO.	SHEET 1 OF 1
289-11022		PIC CAD PART No.	289-11022
USED ON		289-10026	

THIS DRAWING IS THE PROPERTY OF STFC AND MAY NOT BE COPIED OR USED FOR ANY PURPOSE OTHER THAN THAT FOR WHICH IT IS SUPPLIED WITHOUT THE EXPRESS WRITTEN AUTHORITY OF STFC.

THE ENVELOPE REQUIREMENT © APPLIES TO ALL FEATURES OF SIZE UNLESS OTHERWISE STATED. SEE ISO 14405-1 FOR DETAILS.

A FIRST ISSUE