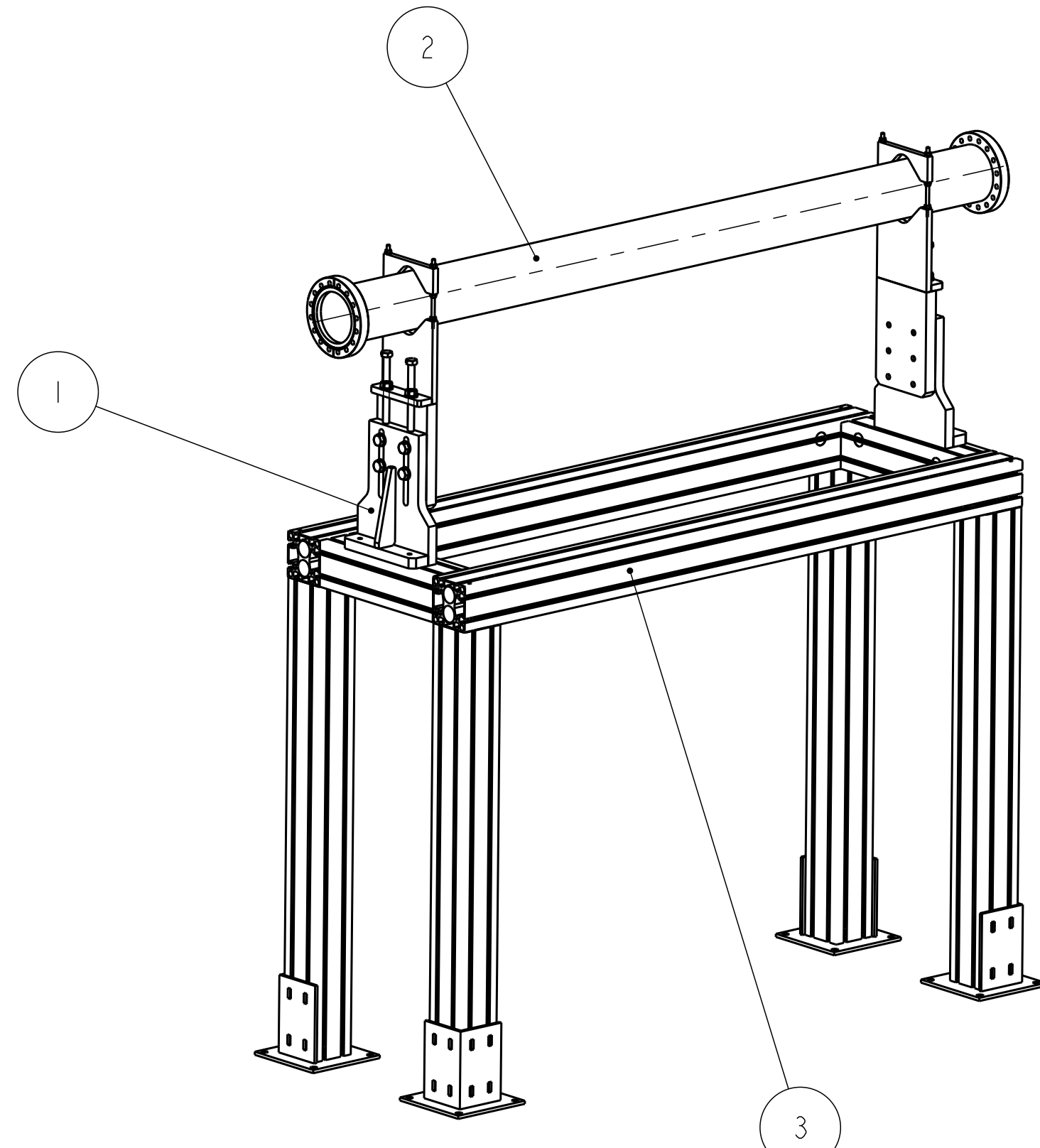
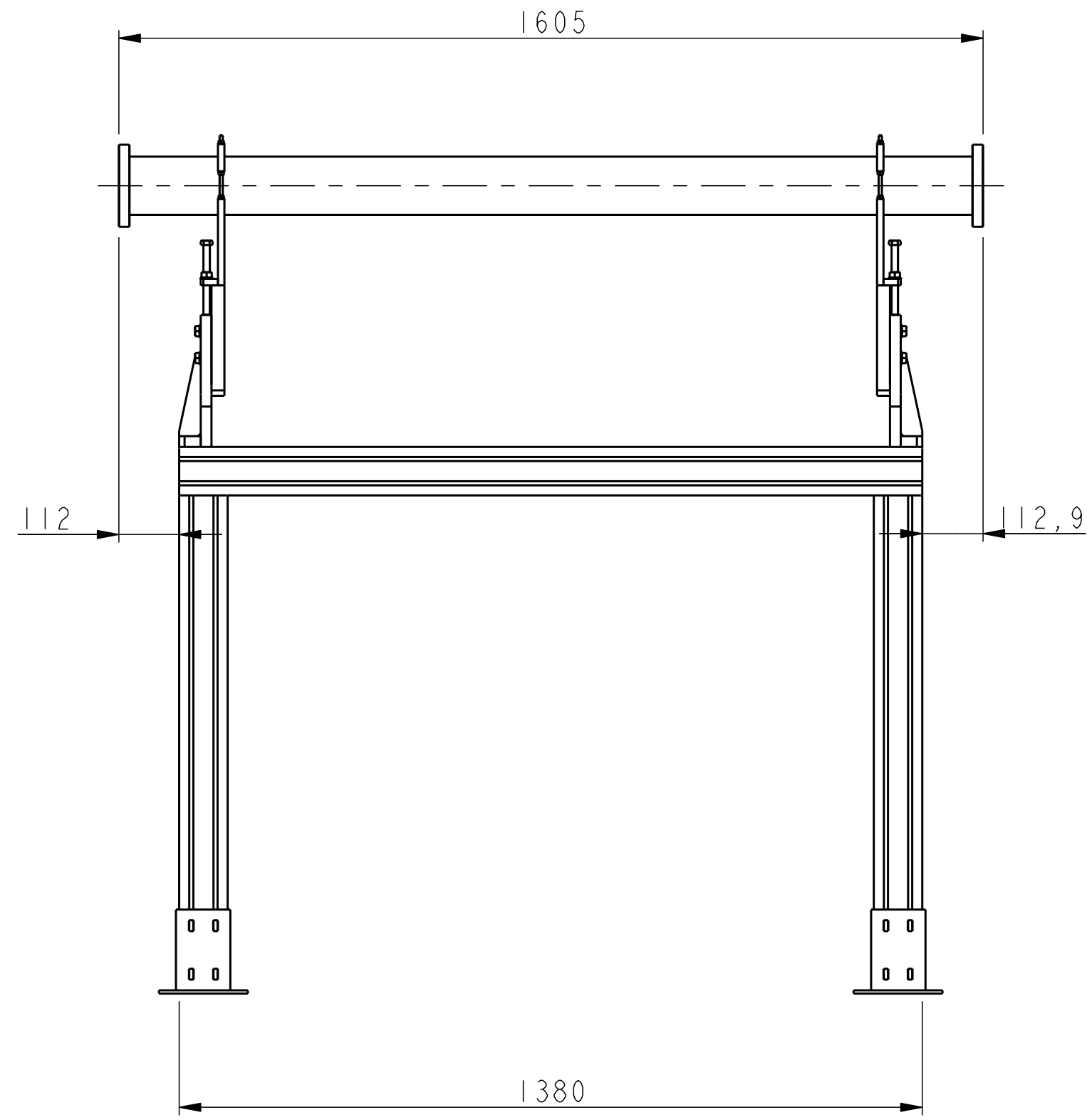
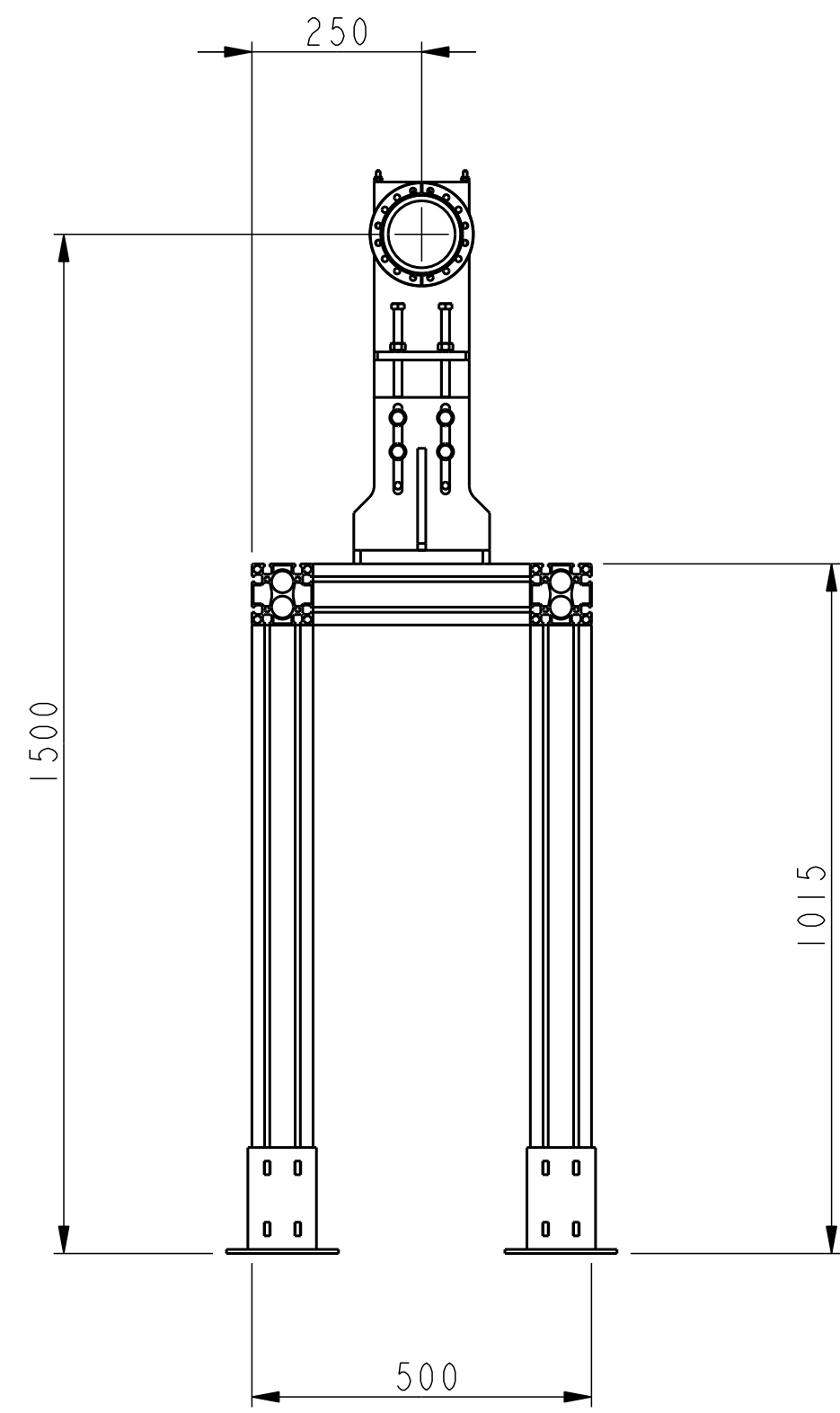


CONFORMS TO BS 8888 THIRD ANGLE PROJECTION

DRG. NO. SHEET 1 OF 1  
**A1 289-11041**



RELEASE STATUS: **Approved**

WELDING SPEC. -----

MATERIAL SPEC. -----

MATERIAL: SEE BOM

TOLERANCES UNLESS OTHERWISE STATED  
 LINEAR DIMENSIONS UP TO - ± - ; OVER - ± -  
 ANGULAR DIMENSIONS ± -  
 ALL DIMENSIONS IN mm UNLESS OTHERWISE STATED

REF	DRG No.	DESCRIPTION	QTY	REMARKS
1	289-10482	PIPE SUPPORT ASSEMBLY	2	
2	289-10835	BEAM PIPE 1 - PIPE FLANGE ASSY WITH NO PORTS	1	
3	289-10994	SUPPORT STAND	1	

TOLERANCING ISO 8015

DRN. PMC  
 DATE. 01/11/18  
 CKD. RJS  
 DATE. 29/11/19  
 APPD. RJS  
 DATE. 29/11/19

SCIENCE AND TECHNOLOGY FACILITIES COUNCIL  
**DARESURY LABORATORY**  
 CHESHIRE

TITLE  
 ESS BEAM TRANSPORT  
 BEAM PIPE ASSEMBLY  
 DMP LINE BPI PIPE 5

DRG. NO. SHEET 1 OF 1 ISSUE  
**A1 289-11041**

PTC CAD PART NO. 289-11041

USED ON 289-10026

THIS DRAWING IS THE PROPERTY OF STFC AND MAY NOT BE COPIED OR USED FOR ANY PURPOSE OTHER THAN THAT FOR WHICH IT IS SUPPLIED WITHOUT THE EXPRESS WRITTEN AUTHORITY OF STFC.

THE ENVELOPE REQUIREMENT © APPLIES TO ALL FEATURES OF SIZE UNLESS OTHERWISE STATED. SEE ISO 14405-1 FOR DETAILS.

FIRST ISSUE  
**A**