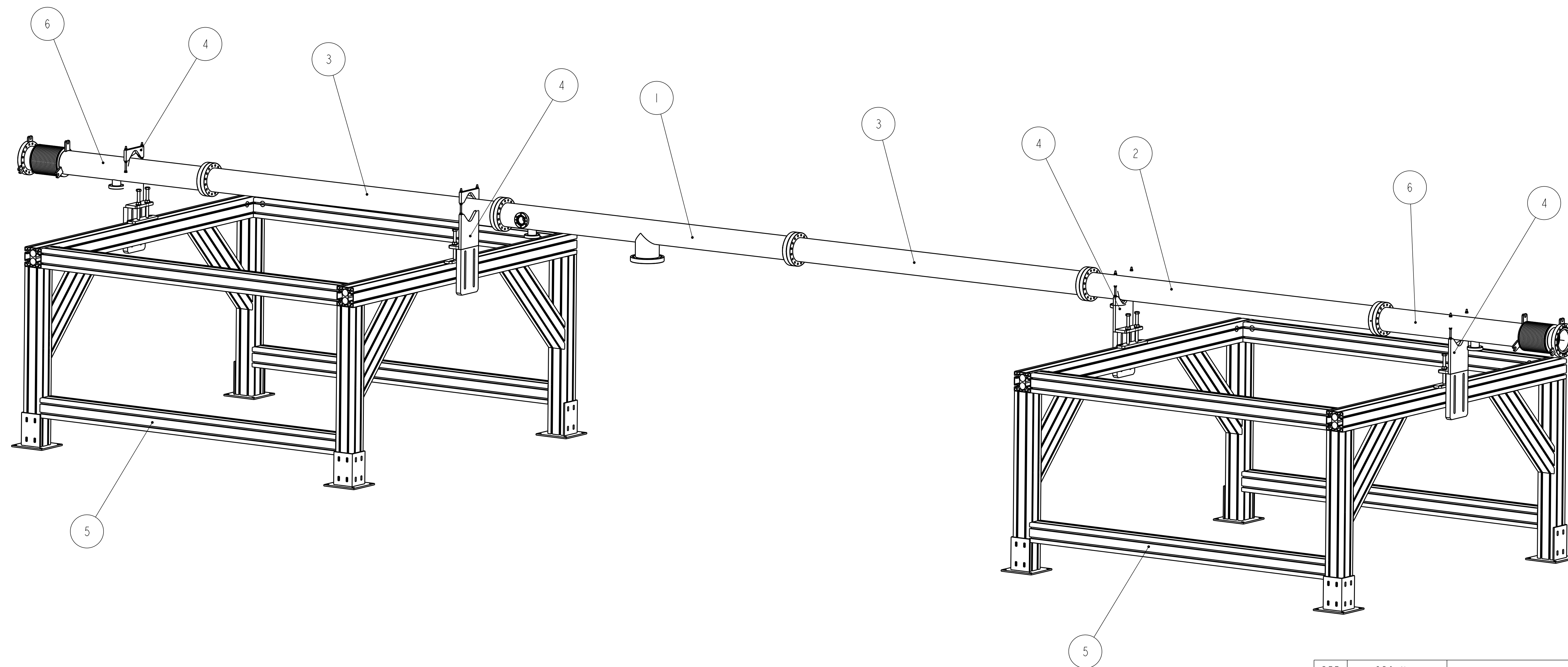
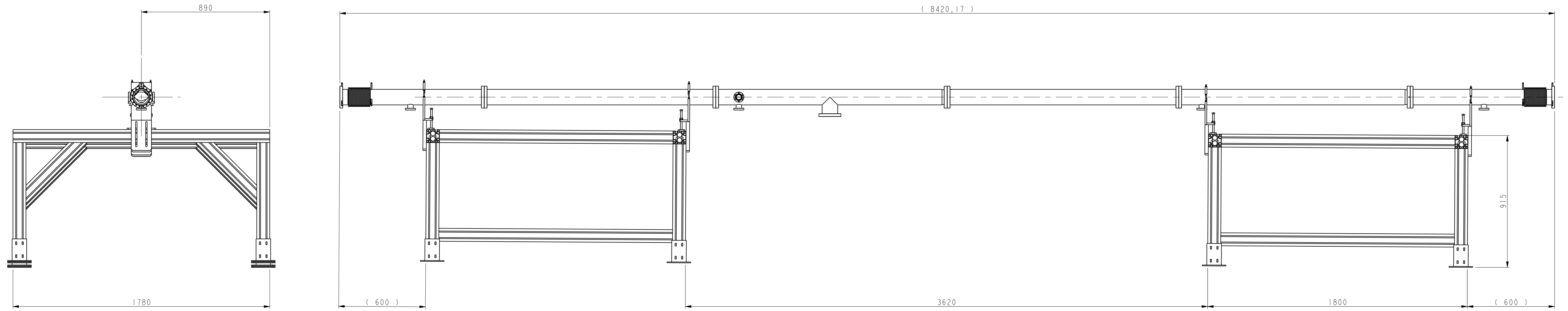


DRG. NO. SHEET 1 OF 1
A0 289-11601

CONFORMS TO BS 8888 THIRD ANGLE PROJECTION

BEAM DIRECTION



REF	DRG No.	DESCRIPTION	QTY	REMARKS
1	289-10725	BEAM PIPE 2 PORT FAB	1	
2	289-10726	BEAM PIPE 1 PORT FAB	1	
3	289-10835	BEAM PIPE 1 - PIPE FLANGE ASSY WITH NO PORTS	2	
4	289-10852	PIPE SUPPORT ASSEMBLY	4	
5	289-11602	SUPPORT FRAME ASSEMBLY	2	
6	289-11640	BEAM PIPE TUBE FABRICATION C/W PORTS	2	

RELEASE STATUS	Approved
WELDING SPEC.
MATERIAL SPEC.
MATERIAL
TOLERANCES UNLESS OTHERWISE STATED	
LINEAR DIMENSIONS UP TO ± ; OVER ±	
ANGULAR DIMENSIONS ±	
ALL DIMENSIONS IN mm UNLESS OTHERWISE STATED	

DRN.	PMC	SCIENCE AND TECHNOLOGY FACILITIES COUNCIL
DATE.	31/10/18	DARESBURY LABORATORY
CKD.	RJS	CHESHIRE
DATE.	01/08/19	TITLE
APPD.	RJS	ESS BEAM TRANSPORT
DATE.	01/08/19	BEAM PIPE ASSEMBLY
		Dg Lg LINE BP2-P3
		A0 DRG. NO. SHEET 1 OF 1 ISSUE
		289-11601
		PIC CAD PART No 289-11601
		USED ON 289-10026

THIS DRAWING IS THE PROPERTY OF STFC AND MAY NOT BE COPIED OR USED FOR ANY PURPOSE OTHER THAN THAT FOR WHICH IT IS SUPPLIED WITHOUT THE EXPRESS WRITTEN AUTHORITY OF STFC.

THE ENVELOPE REQUIREMENT © APPLIES TO ALL FEATURES OF SIZE UNLESS OTHERWISE STATED. SEE ISO 14405-1 FOR DETAILS.

A FIRST ISSUE