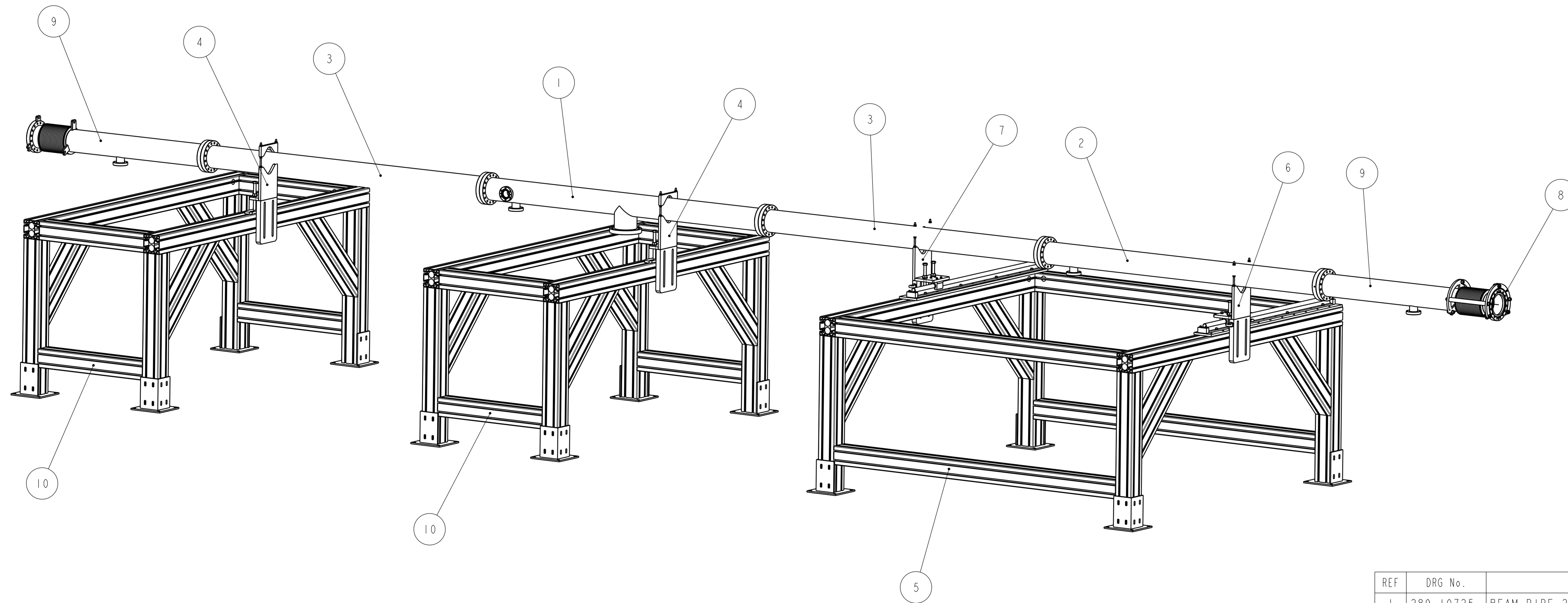
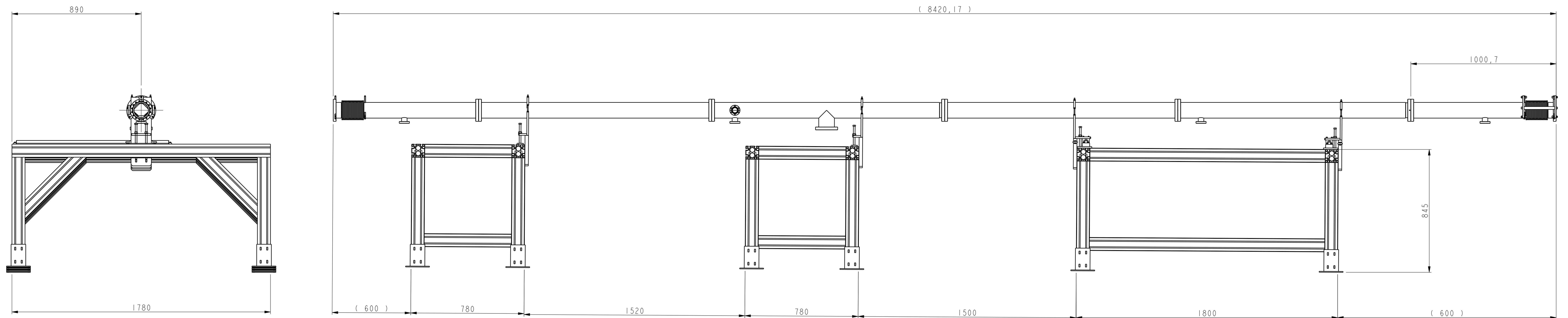


BEAM DIRECTION



REF	DRG No.	DESCRIPTION	QTY	REMARKS
1	289-10725	BEAM PIPE 2 PORT FAB	1	
2	289-10726	BEAM PIPE 1 PORT FAB	1	
3	289-10835	BEAM PIPE 1 - PIPE FLANGE ASSY WITH NO PORTS	2	
4	289-10852	PIPE SUPPORT ASSEMBLY	2	
5	289-11604	SUPPORT FRAME ASSEMBLY	1	
6	289-11609	PIPE SUPPORT ASSEMBLY	1	
7	289-11613	PIPE SUPPORT ASSEMBLY	1	
8	289-11637	BELLOWS TRANSPORT BRACKET	1	
9	289-11640	BEAM PIPE TUBE FABRICATION C/W PORTS	2	
10	289-11904	SUPPORT FRAME ASSEMBLY	2	

RELEASE STATUS: **Approved**

WELDING SPEC.

MATERIAL SPEC.

MATERIAL

TOLERANCES UNLESS OTHERWISE STATED

LINEAR DIMENSIONS UP TO ± . . . ; OVER ± . . .

ANGULAR DIMENSIONS ± . . .

ALL DIMENSIONS IN mm UNLESS OTHERWISE STATED

TOLERANCING ISO 8015

DRN.	PMC	SCIENCE AND TECHNOLOGY FACILITIES COUNCIL
DATE.	31/10/18	DARESBURY LABORATORY
CKD.	RJS	CHESHIRE
DATE.	29/11/19	TITLE
APPD.	RJS	ESS BEAM TRANSPORT
DATE.	29/11/19	BEAM PIPE ASSEMBLY
		DgLG LINE BP3
		A0 DRG. NO. SHEET 1 OF 1 ISSUE
		289-11603
		PIC CAD PART No. 289-11603
		USED ON 289-10026

THIS DRAWING IS THE PROPERTY OF STFC AND MAY NOT BE COPIED OR USED FOR ANY PURPOSE OTHER THAN THAT FOR WHICH IT IS SUPPLIED WITHOUT THE EXPRESS WRITTEN AUTHORITY OF STFC.

THE ENVELOPE REQUIREMENT © APPLIES TO ALL FEATURES OF SIZE UNLESS OTHERWISE STATED. SEE ISO 14405-1 FOR DETAILS.

A FIRST ISSUE