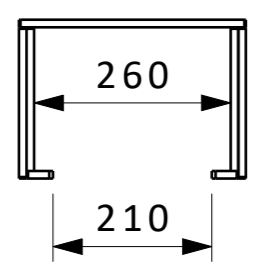
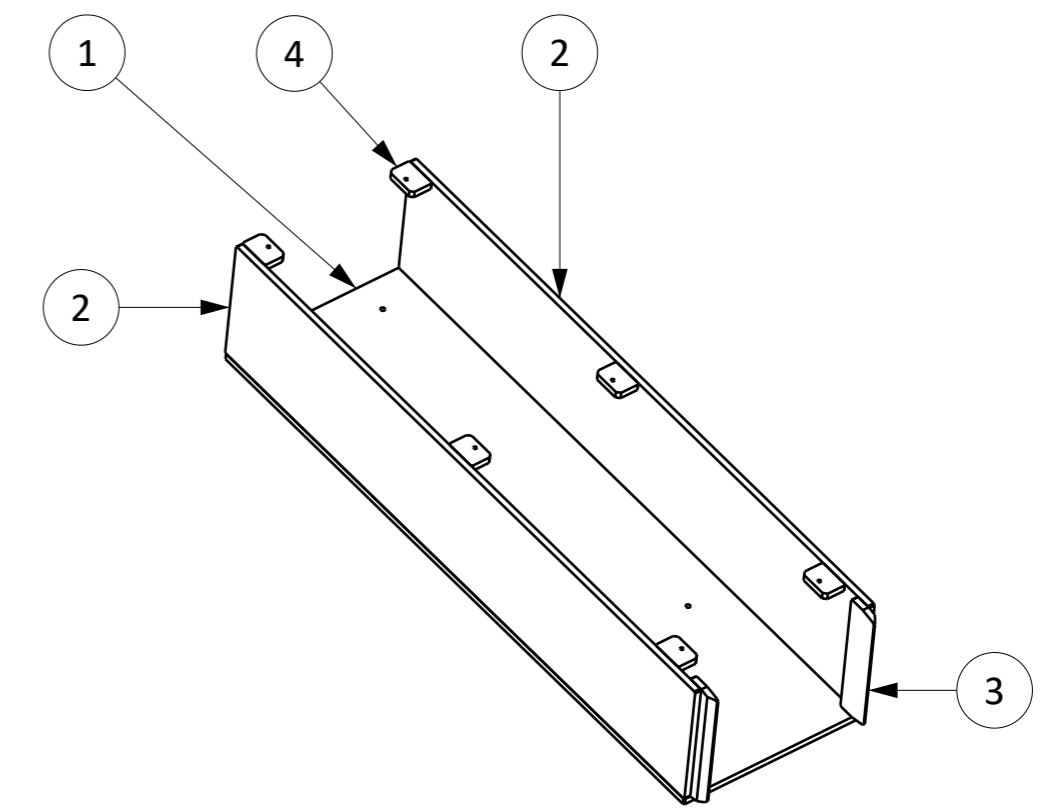
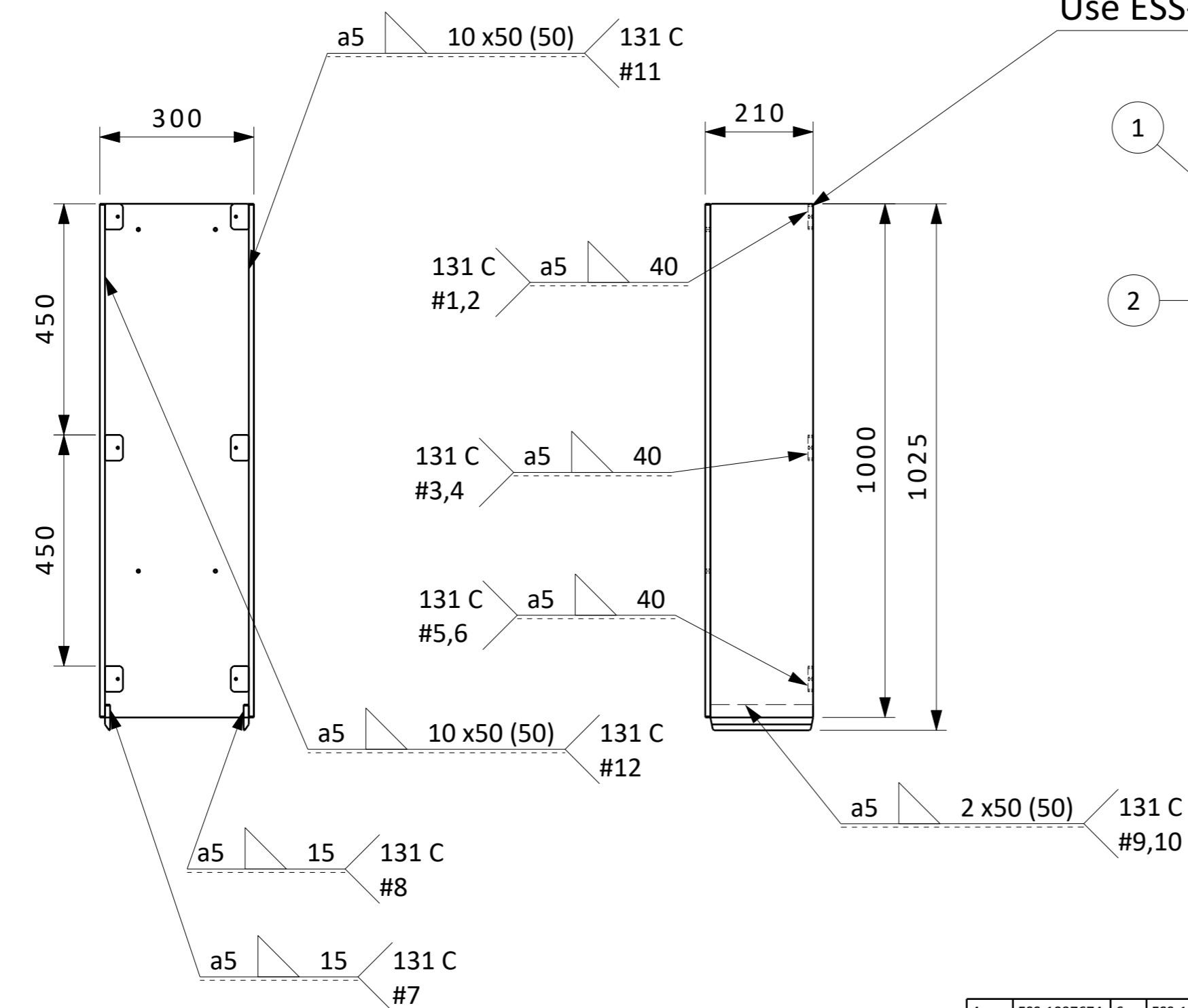


H G F E D C B A

Use ESS-1088866 as fixation for ESS-1097674



4	ESS-1097674	6	ESS-1097674	Pin bar	Pin bar	1.4307	-	-
3	ESS-1088889	2	ESS-1088889	FC2 Shielding Guide Bar	FC2 Shielding Guide Bar	1.4307	-	-
2	ESS-1088817	2	ESS-1088817	FC2 Shielding Side inner	FC2 Shielding Side inner	1.4307	-	-
1	ESS-1088814	1	ESS-1088814	FC2 Shielding Bottom inner	FC2 Shielding Bottom inner	1.4307	-	-
Item No.	Part Number	Qty	CAD Number	Title	Description	Material	Material std	Material cert.
General Tolerances				Surface Roughness		Edges		
ISO 2768-mK				$\sqrt{Ra 3,2}$		ISO 13715		$\pm 0,5$
Title & Supplementary Title						Document Type	Weight [kg]	
FC2 Shielding inner canal						Weldment drawing	57,51	
						Sheet Type	Standards	
						Detail	ISO 128, ISO 14405	
EUROPEAN SPALLATION SOURCE			Drafted By		Level of Maturity	Integration Maturity	Document Status	Change Order
ESS			saverioardovino		P		Approved	ESS-3175684
			Reviewed By		Drawing Number		Revision	Date of Issue
					ESS-1088819.1		2.0	
			Size		Scale		Sheet	
			A3		1:10		1/1	