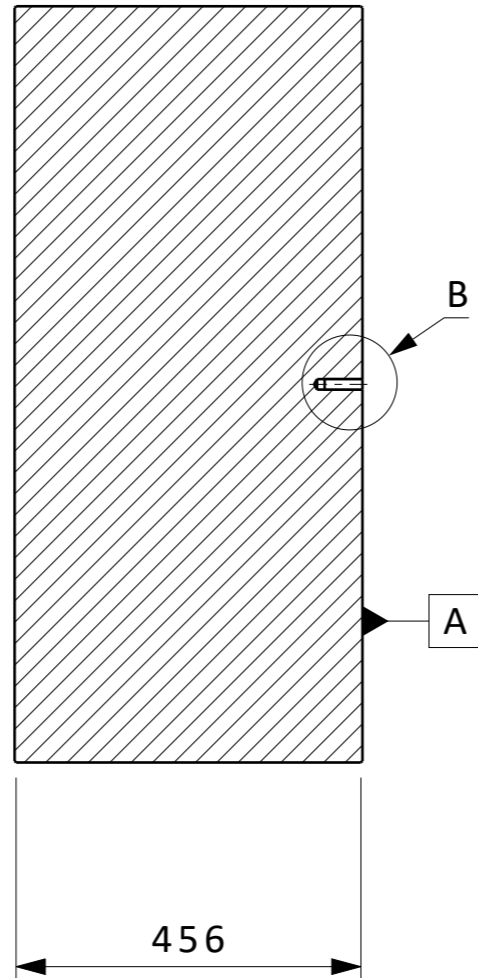
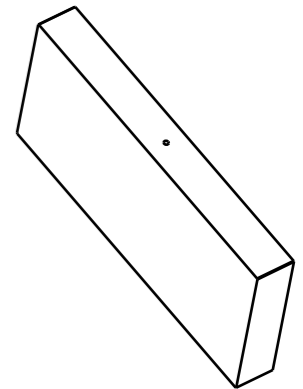
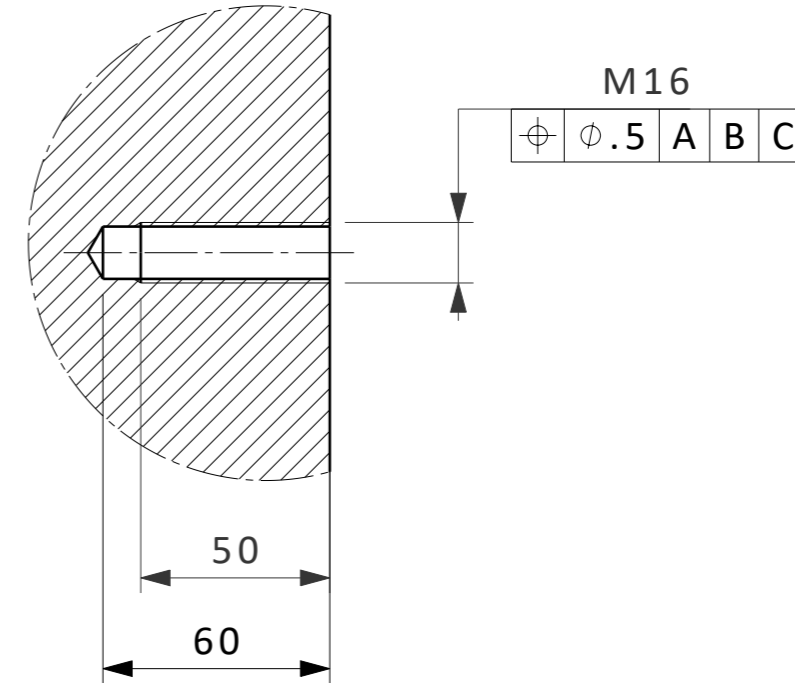


SECTION A-A



DETAIL B (1:2)



1	ESS-1088852	1	ESS-1088852	FC2 Shielding Side Outer	FC2 Shielding Side Outer	1.4307	-	-
Item No.	Part Number	Qty	CAD Number	Title	Description	Material	Material std	Material cert.
General Tolerances				ISO 2768-mK		Surface Roughness		$\sqrt{Ra\ 3,2}$
						Edges		ISO 13715
Title & Supplementary Title					Document Type		Weight [kg]	
FC2 Shielding Side Outer					Machining drawing		436,00	
					Sheet Type		Standards	
					Detail		ISO 128, ISO 14405	
			Drafted By		Level of Maturity		Document Status	
			saverioardovino		P		Approved	
			Reviewed By		Integration Maturity		Change Order	
							ESS-3175684	
			Drawing Number		Revision		Date of Issue	
			ESS-1088852.2		2.0			
			Scale		Sheet		1/1	
			1:10					