

H G F E D C B A

4

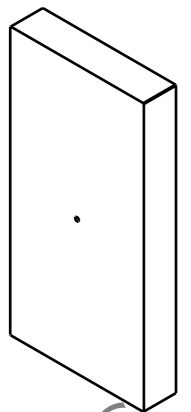
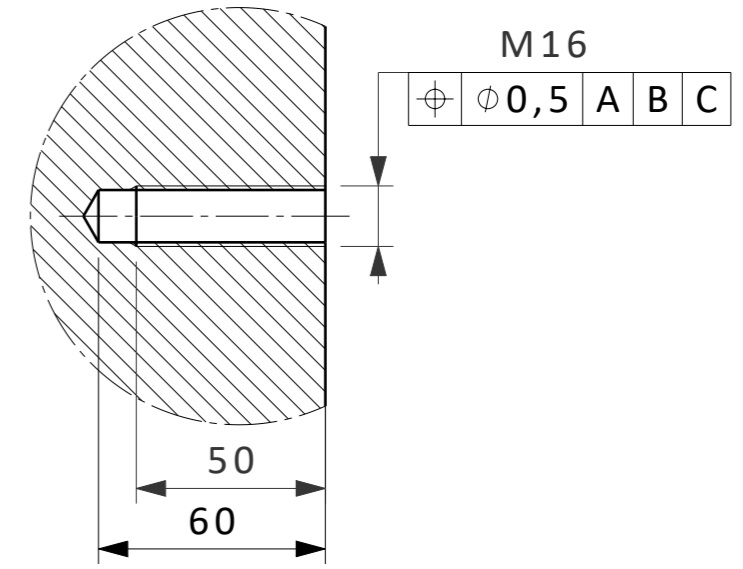
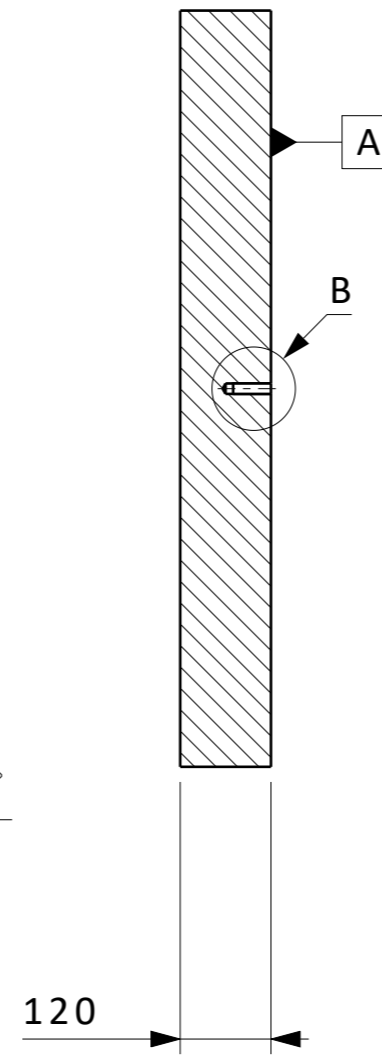
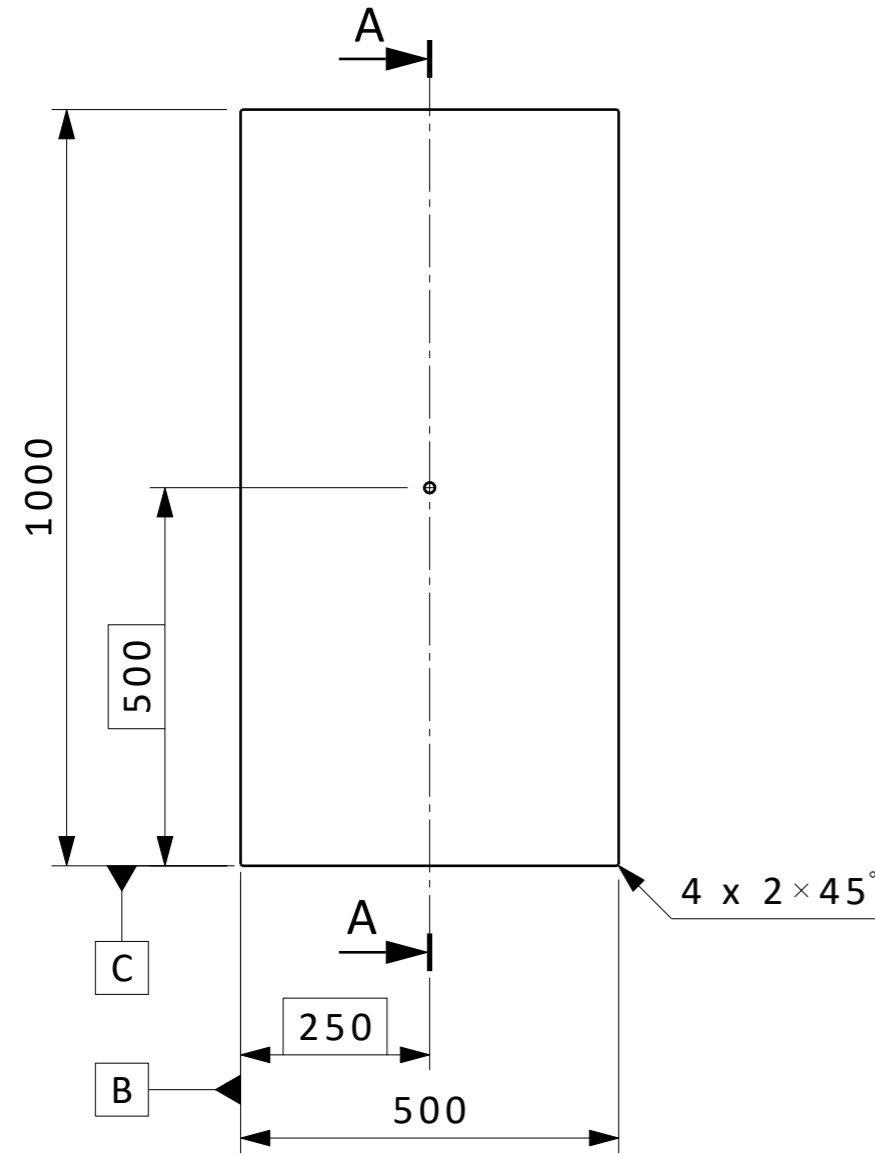
3

2

1

SECTION A-A

DETAIL B (1:2)



General Tolerances		ISO 2768-mK		Surface Roughness		$\sqrt{Ra 3,2}$		Edges		ISO 13715 Ed6	
Title & Supplementary Title						Document Type			Weight [kg]		
FC2 Shielding Top Middle						Machining drawing			473,92		
Sheet Type						Standards			ISO 128, ISO 14405		
Detail						Level of Maturity		Integration Maturity		Document Status	
EUROPEAN SPALLATION SOURCE						P				Approved	
Drafted By						saverioardovino		Drawing Number		Revision	
Reviewed By								ESS-1088867.2		2.0	
Size						A3		Scale		1:10	
Approved By								Date of Issue		Sheet	
										1/1	

H A

4

3

2

1

Pdf Generated 2020-12-29 14:01:54