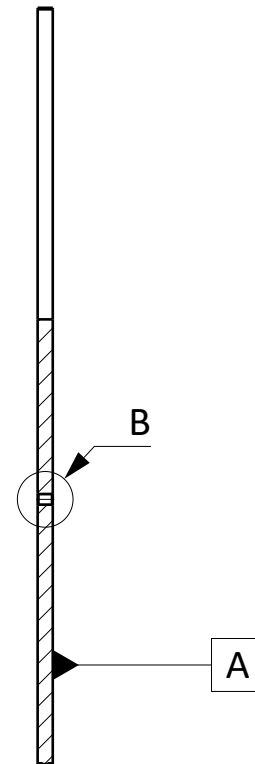
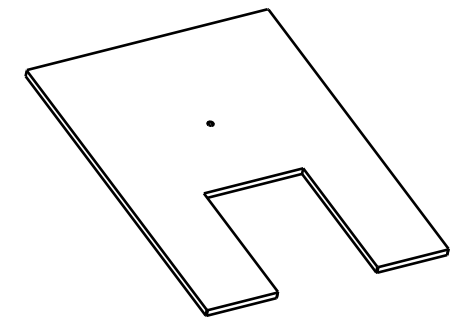
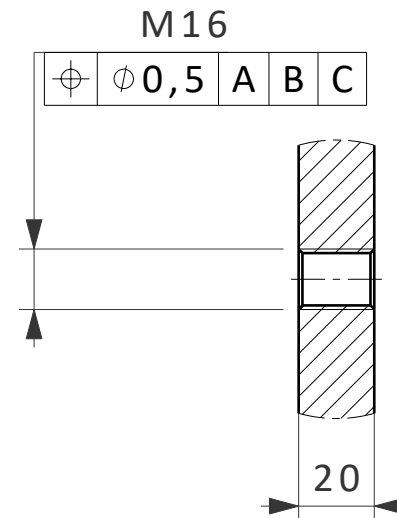


SECTION A-A



DETAIL B (1:2)



Item No.	Part Number	Qty	CAD Number	Title	Description	Material	Material std	Material cert.
1	ESS-1089195	1	ESS-1089195	FC1 Bottom Outer	FC1 Bottom Outer	1.4307	-	-
General Tolerances				ISO 2768-mK		Surface Roughness		$\sqrt{Ra\ 3,2}$
						Edges		ISO 13715 $\pm 0,5$
Title & Supplementary Title						Document Type		Weight (kg)
FC1 Bottom Outer						Machining drawing		94,60
						Sheet Type		Standards
						Detail		ISO 128, ISO 14405
EUROPEAN SPALLATION SOURCE		Drafted By		saverioardovino		Level of Maturity		Integration Maturity
Size A3		Scale 1:10		Reviewed By		Document Status		Change Order
		Approved By				Approved		ESS-3175684
						Drawing Number		Revision
						ESS-1089195.2		2.0
								Date of Issue
								Sheet 1/1