

D

C

B

A

4

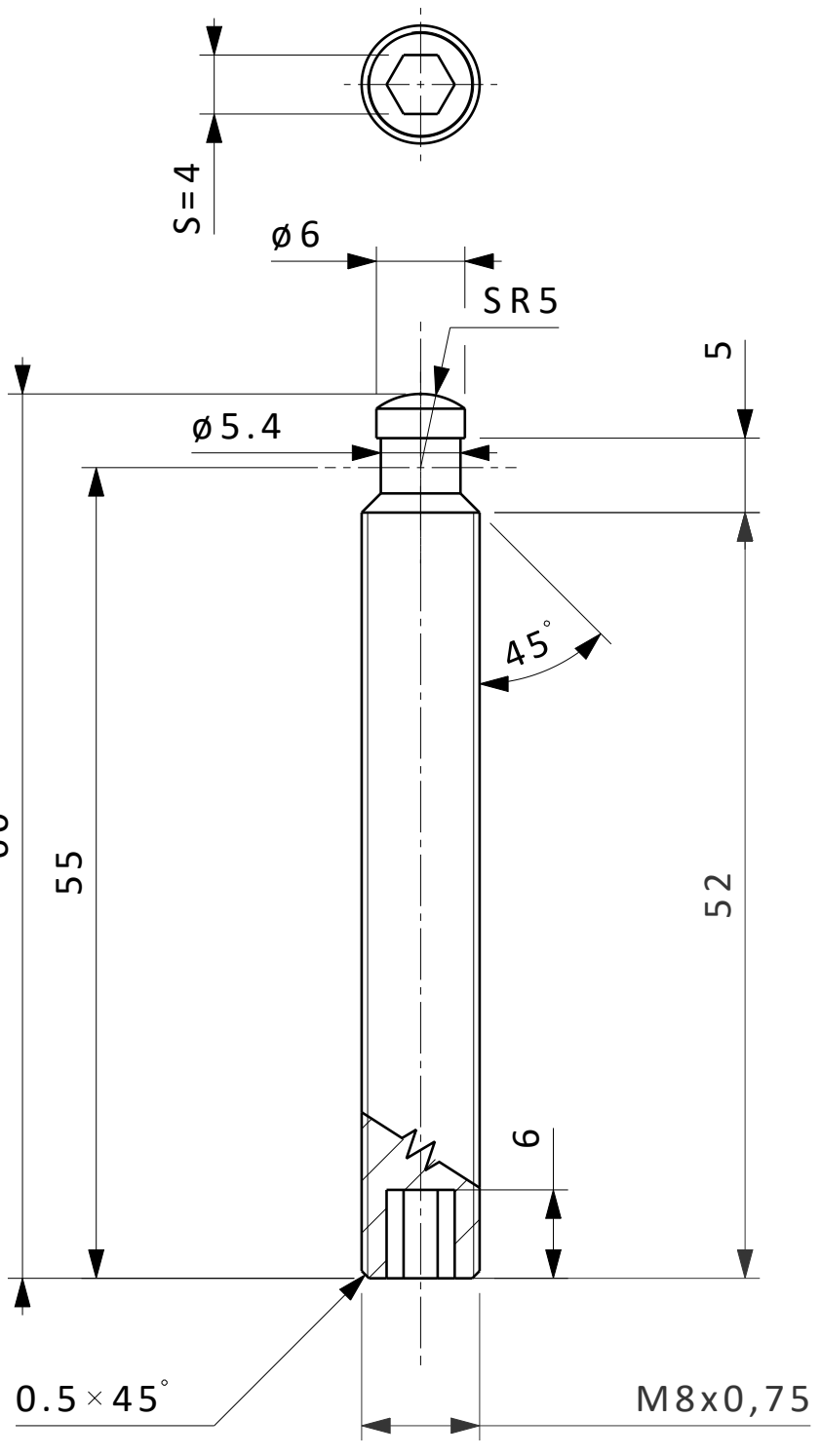
3

2

4


3

2



1	ESS-2701064	1	ESS-2701064	M8 Fine Thread Adjustment	M8 Fine Thread Adjustment	-	-	-
Item No.	Part Number	Qty	CAD Number	Title	Description	Material	Material std	Material cert.

General Tolerances	ISO 2768-mK	Surface Roughness	$\sqrt{Ra\ 3,2}$	Edges	ISO 13715	$\pm 0,5$
--------------------	-------------	-------------------	------------------	-------	-----------	-----------

Title & Supplementary Title				Document Type		Weight [kg]	
<b>M8 Fine Thread Adjustment</b>				Machining drawing		0,02	
				Sheet Type		Standards	
				ISO 128, ISO 14405			
 <b>EUROPEAN SPALLATION SOURCE</b>		Drafted By <b>saverioardovino</b>		Level of Maturity <b>P</b>		Document Status <b>Approved</b>	
Reviewed By _____		Integration Maturity <b>P</b>		Drawing Number <b>ESS-2701064.2</b>		Change Order <b>ESS-3175684</b>	
Approved By _____		Revision <b>2.0</b>		Date of Issue _____		Sheet <b>1/1</b>	
Size	A4	Scale	2:1				