

H G F E D C B A

4

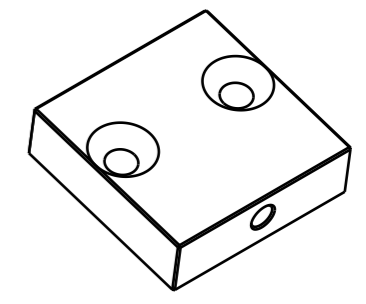
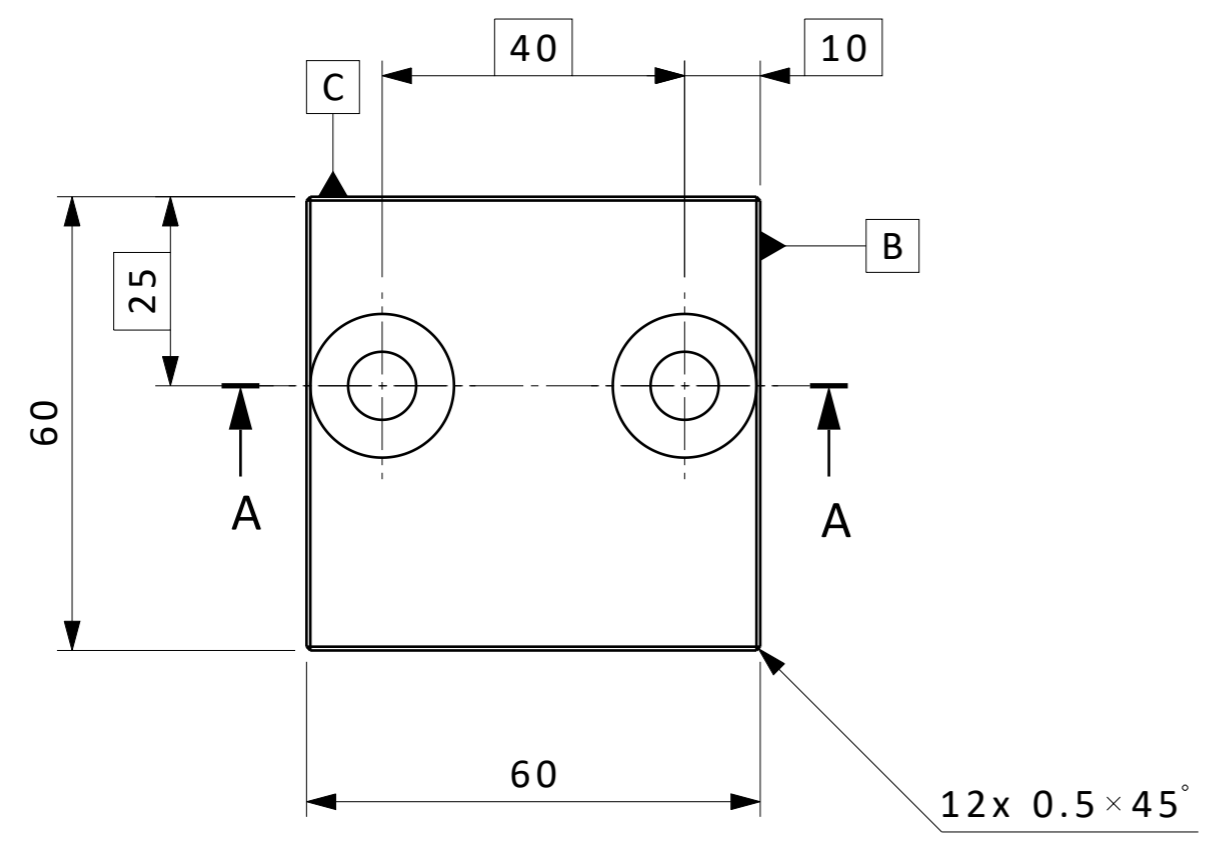
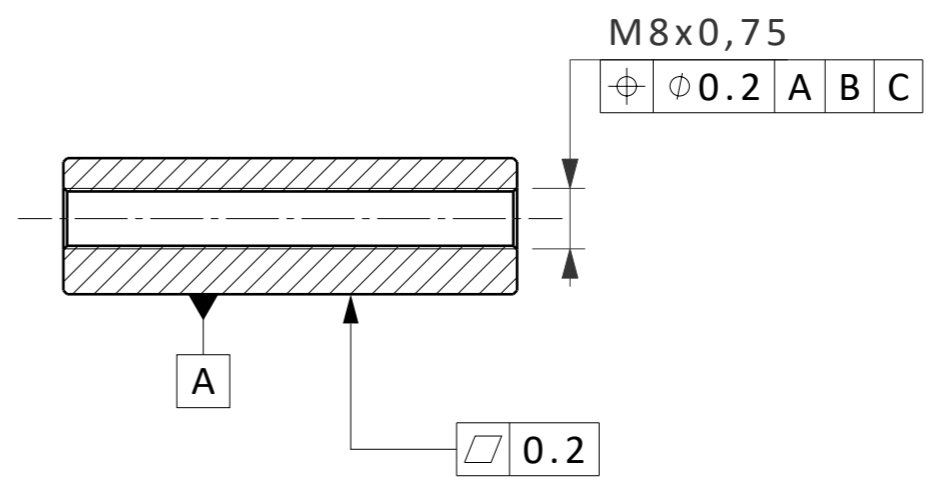
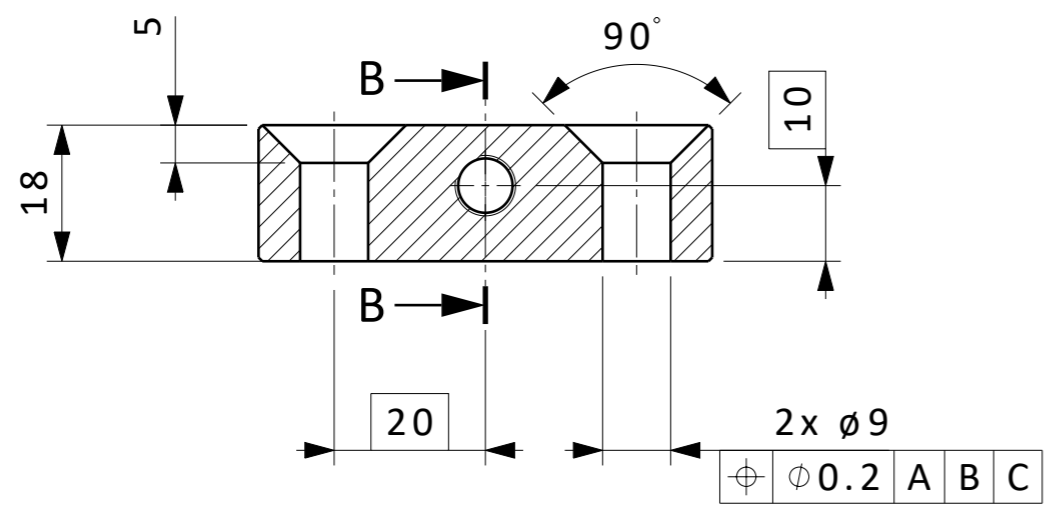
3

2

1

SECTION B-B

SECTION A-A



1	ESS-2698909	1	ESS-2698909	Fixed Height Adjustment Bracket	Fixed Height Adjustment Bracket	1.4307	-	-
Item No.	Part Number	Qty	CAD Number	Title	Description	Material	Material std	Material cert.
General Tolerances				Surface Roughness		Edges		
ISO 2768-mK				√ Ra 3,2		ISO 13715		
Title & Supplementary Title						Document Type		Weight [kg]
Fixed Height Adjustment Bracket						Machining drawing		0,46
						Standards		
						ISO 128, ISO 14405		
EUROPEAN SPALLATION SOURCE		Drafted By		Document Status		Change Order		
Size A3		Scale 1:1		Approved		ESS-3175684		
Date of Issue		Revision		Drawing Number		Sheet		
		2.0		ESS-2698909.2		1/1		

H A

4

3

2

1

Pdf Generated 2020-12-29 14:08:46