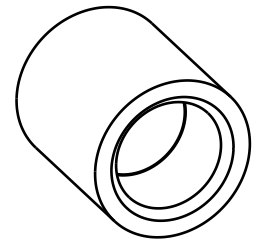
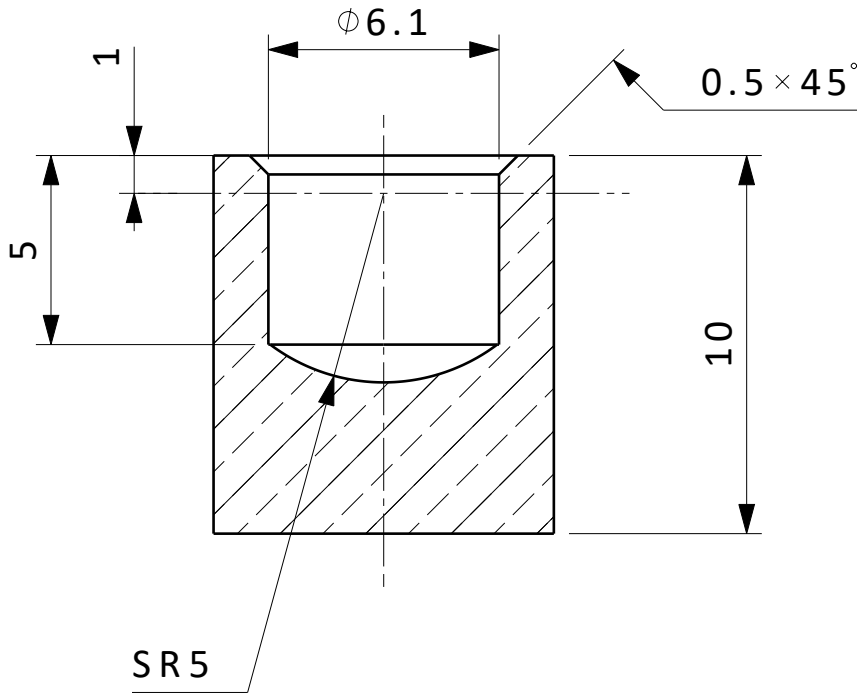


SECTION A-A



1	ESS-2698454	1	ESS-2698454	Brass Bushing	Brass Bushing	Brass	-	-
Item No.	Part Number	Qty	CAD Number	Title	Description	Material	Material std	Material cert.
General Tolerances				Surface Roughness		Edges		
ISO 2768-mK				$\sqrt{Ra 3,2}$		ISO 13715		$\pm 0,2$

Title & Supplementary Title				Document Type			Weight [kg]	
Brass Bushing				Machining drawing			0,00	
				Sheet Type			Standards	
				Detail			ISO 128, ISO 14405	
		Drafted By		Level of Maturity		Document Status		Change Order
		saverioardovino		P		Approved		ESS-3175684
		Reviewed By		Integration Maturity		Revision		Date of Issue
						2.0		
Size		Scale		Drawing Number			Sheet	
A4		5:1		Approved By			1/1	
				ESS-2698454.2				