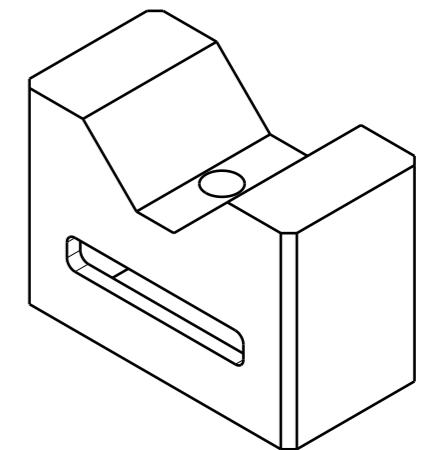
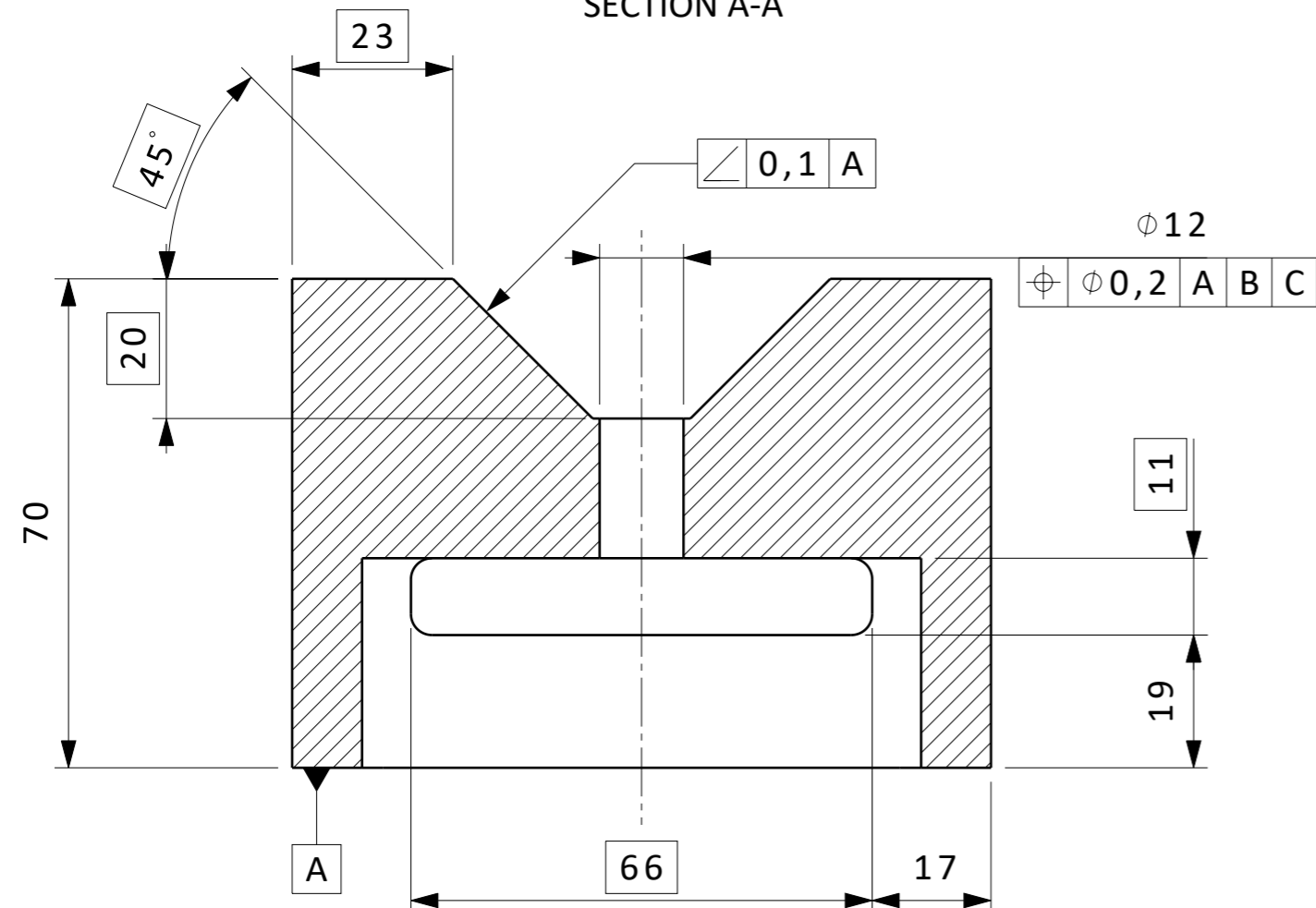


SECTION A-A



1	ESS-3162339	-	1	-	1.4301	-
Pos.	Reference	Title	Qty.	Description	Material	Standard
General Tolerances ISO 2768-mK			Surface Roughness $\sqrt{Ra 3,2}$		Edges ISO 13715 $\pm 0,2$	
Title & Supplementary Title V-Block				Document Type		Weight [kg] 1,68
				Sheet Type		Standards ISO 128, ISO 14405
EUROPEAN SPALLATION SOURCE		Drafted By saverioardovino		Level of Maturity P	Integration Maturity	Document Status Approved
Size A3		Scale 1:1		Drawing Number ESS-3162339.2		Change Order ESS-3175684
		Reviewed By		Revision 1.0		Date of Issue
		Approved By				Sheet 1/1