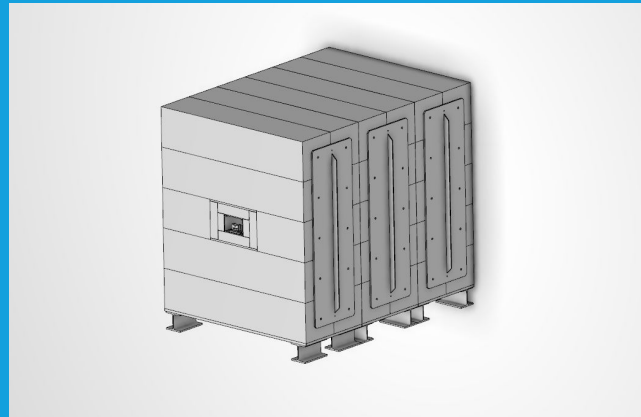


# DTL FC Shielding Design



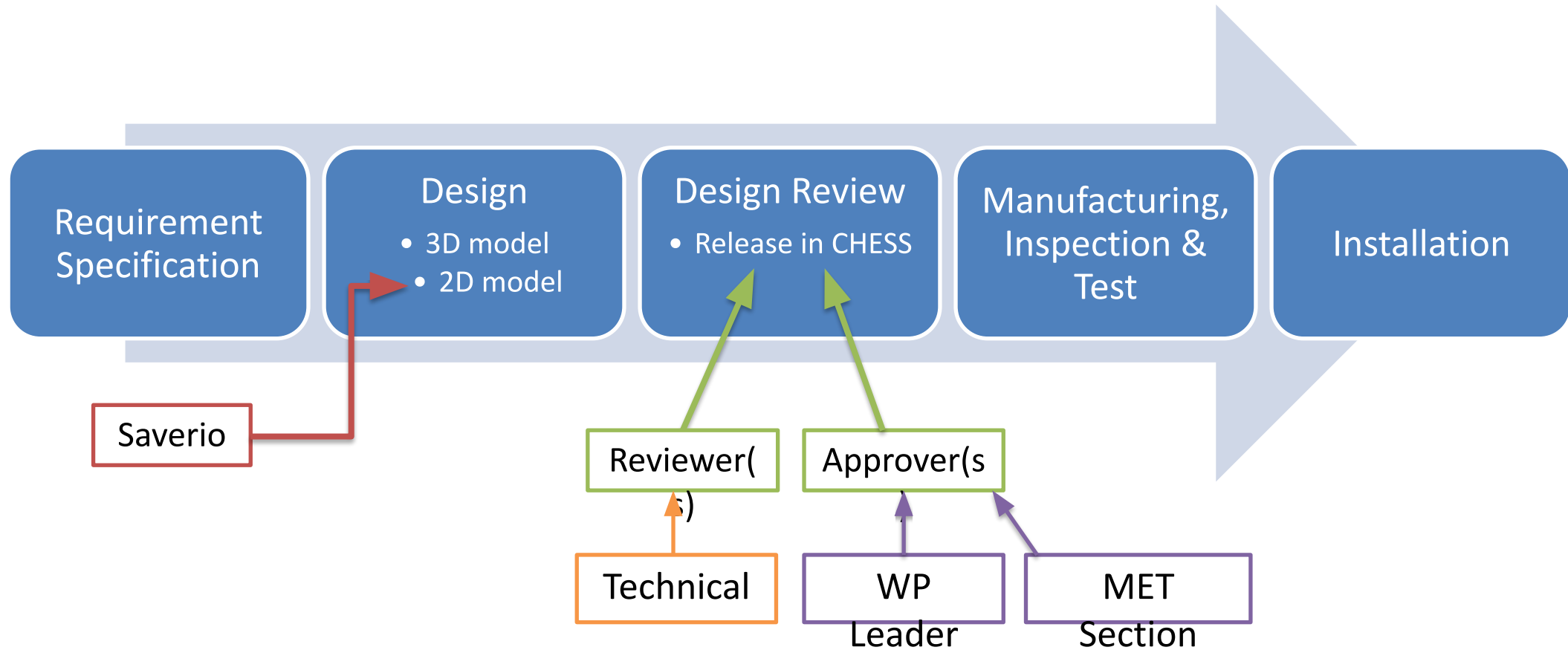
Saverio Ardovino

Mechanical Designer (MET)

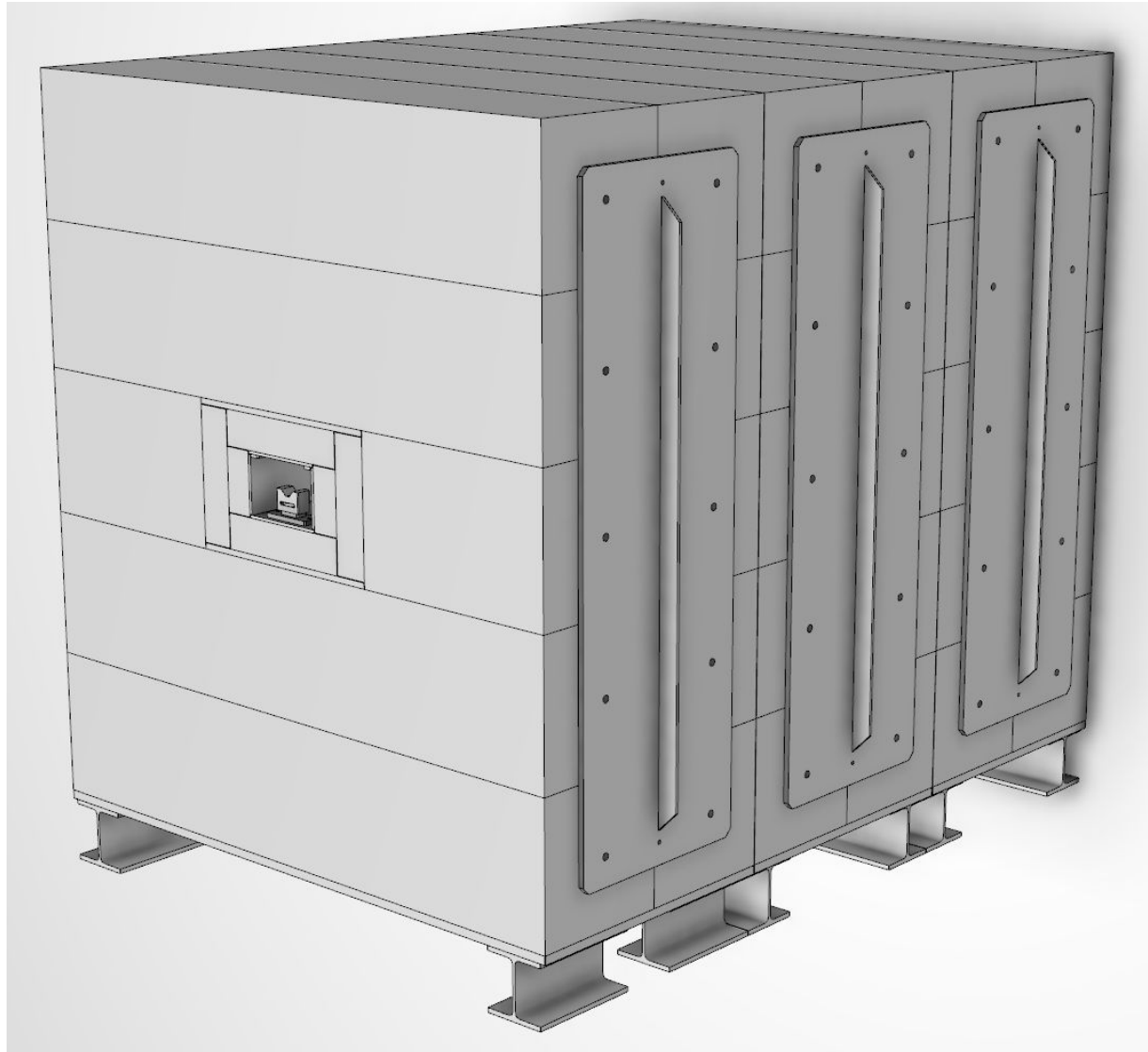
European Spallation Source ERIC

26/01/2021

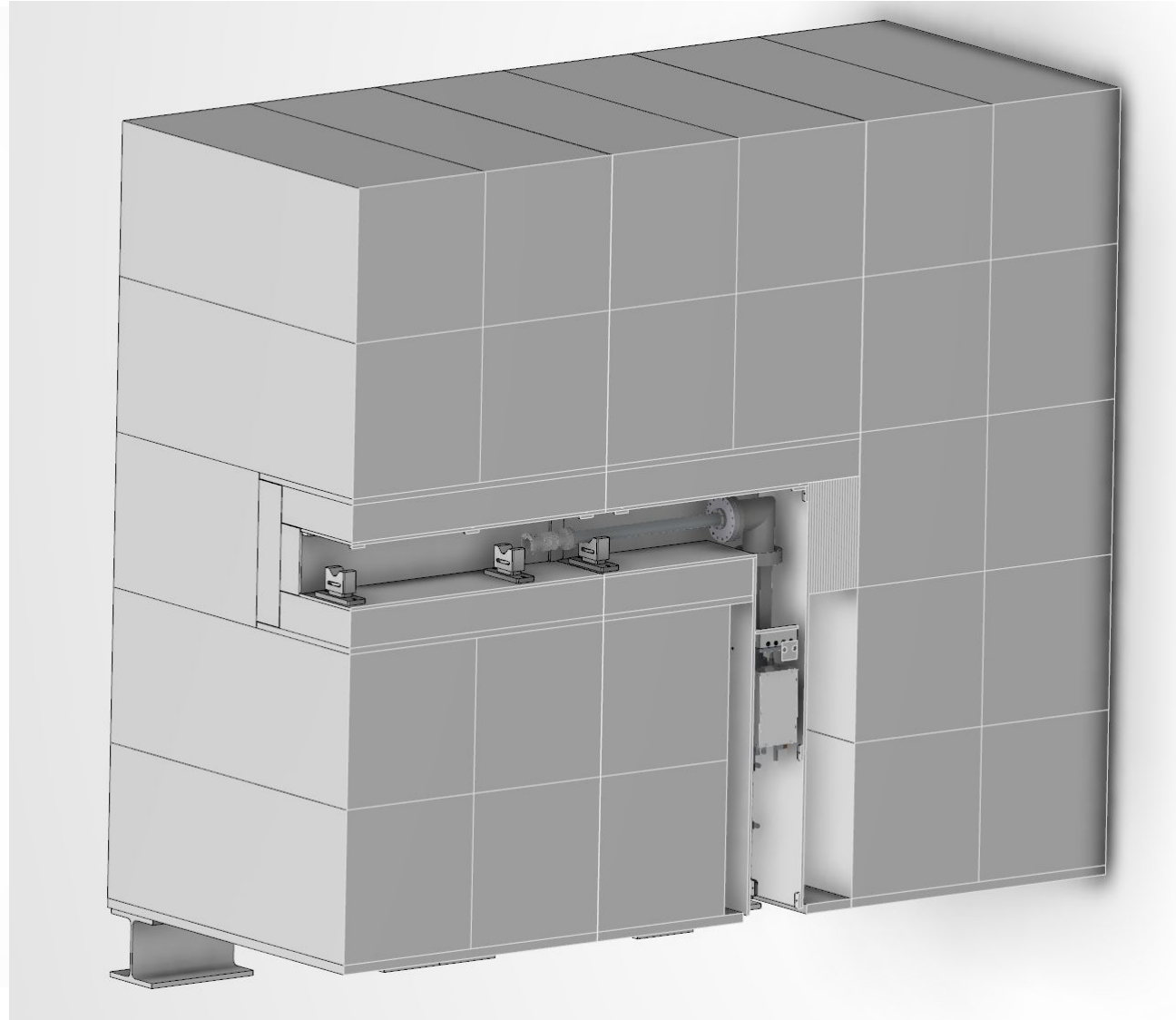
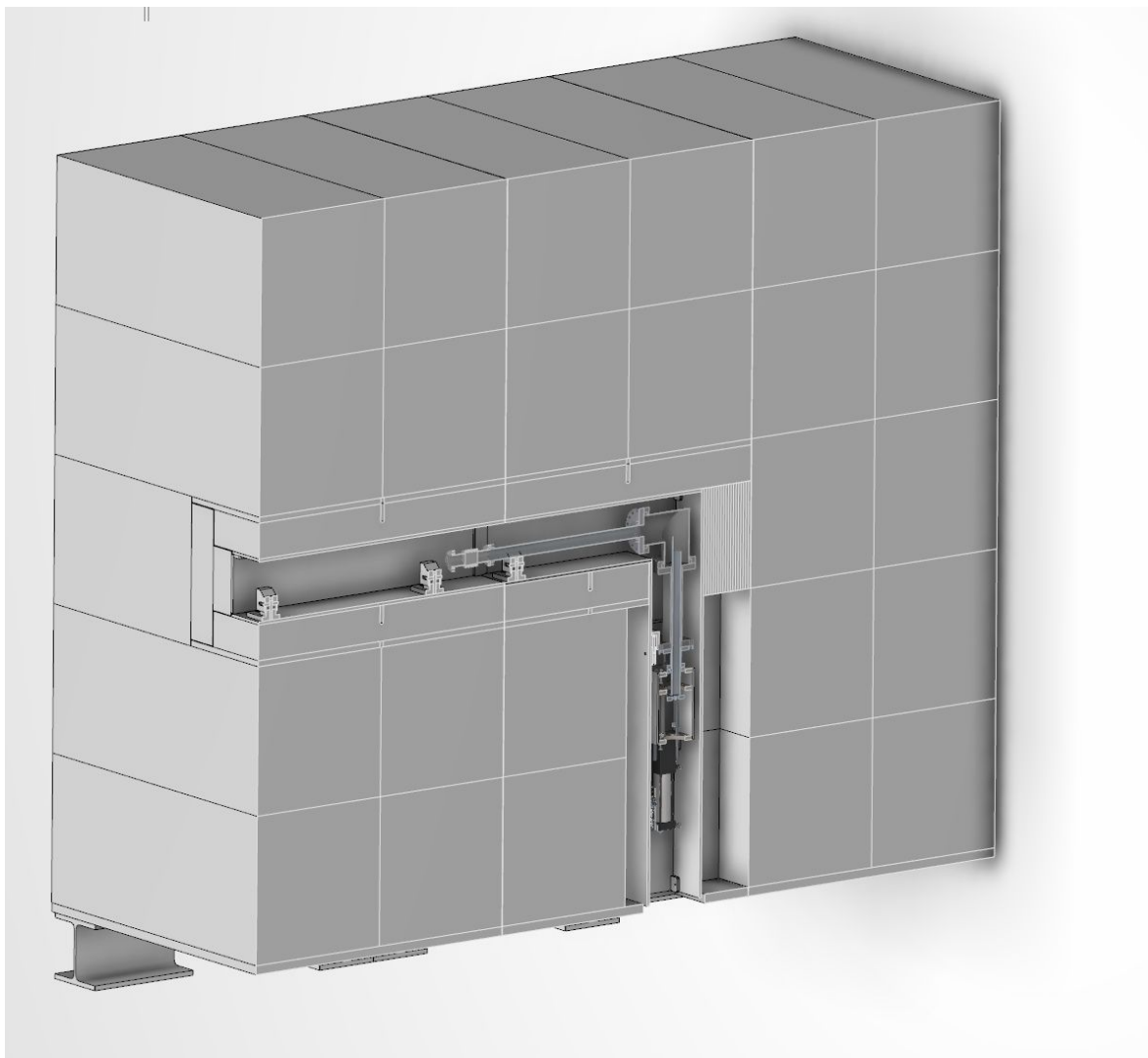
# Design & Release Workflow



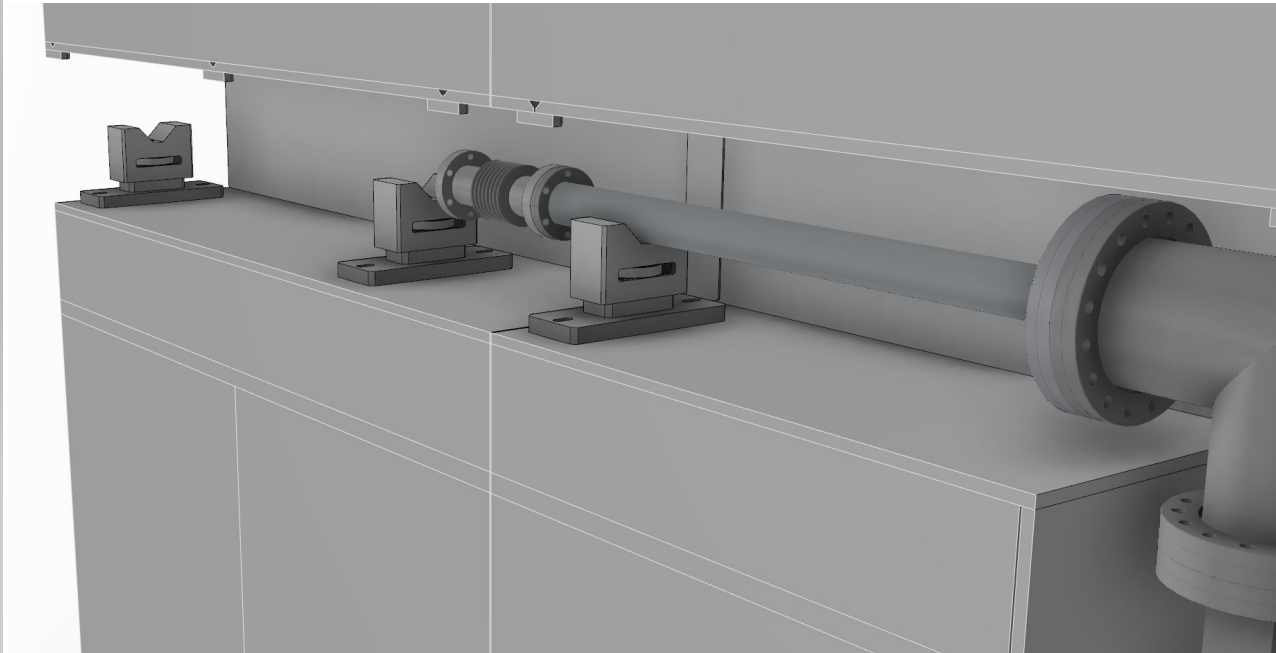
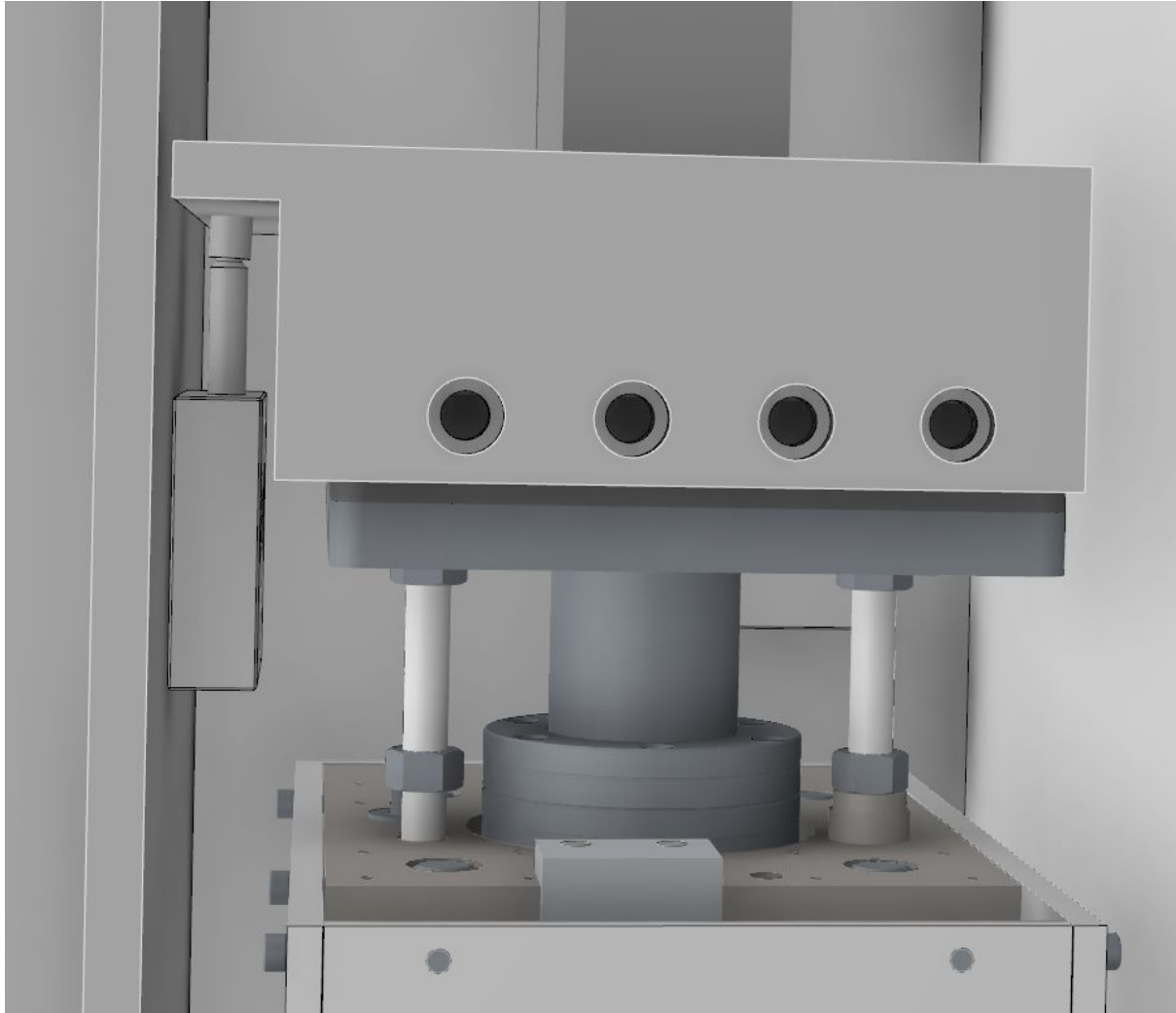
# Design Description



# Design Description



# Design Description





EUROPEAN  
SPALLATION  
SOURCE

Thanks