

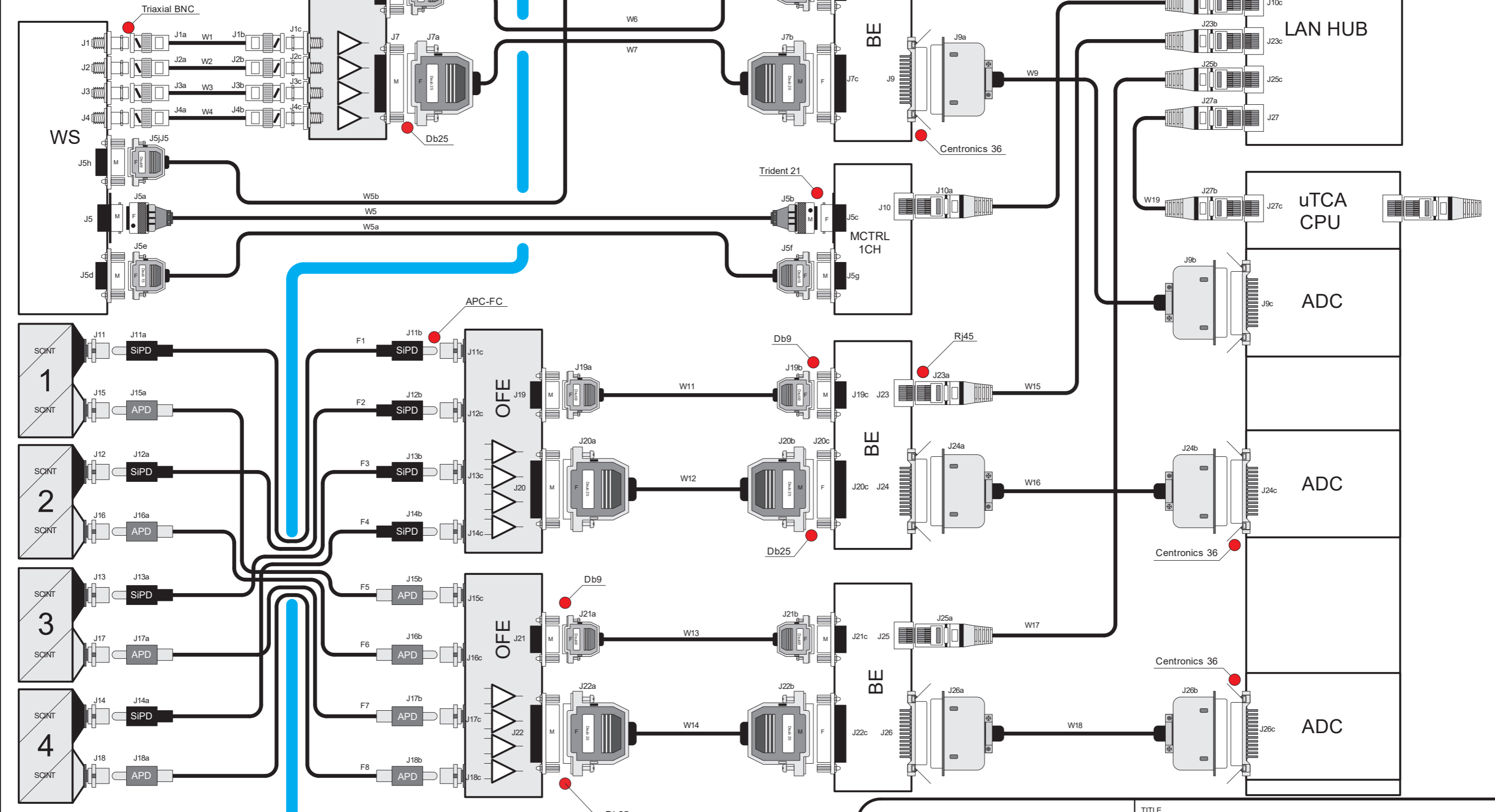
| | | | |
|----------|----------|------|------------|
| DRAFTER | Sandi G. | DATE | 14. 11. 16 |
| DESIGNER | Sandi G. | DATE | 14. 11. 16 |

| | | |
|-----|------|-------------------------|
| REV | ECO# | DESCRIPTION OF REVISION |
|-----|------|-------------------------|

NOTICE OF PROPRIETARY PROPERTY :
 THE INFORMATION CONTAINED HEREIN IS THE PROPRIETARY PROPERTY OF DR. SANDI G.. THE POSSESSOR AGREES TO THE FOLLOWING :
 (i) TO MAINTAIN THIS DOCUMENT IN CONFIDENCE
 (ii) NOT TO REPRODUCE OR COPY IT
 (iii) NOT TO REVEAL OR PUBLISH IT IN WHOLE OR PART
 (iv) ALL RIGHTS RESERVED

NOTES: (UNLESS OTHERWISE SPECIFIED)

TUNNEL S. AREA



| | | | | |
|------------------------|------------|---------------------------------|------------------------------|-----------|
| E-ST ESS DIA PDR 001 | | TITLE Cabling and connectors | | |
| THIRD ANGLE PROJECTION | SIZE A3 | SCALE NONE | DRAWING NUMBER SHT 1 OF 1 | REV. E |

4

3

2

1

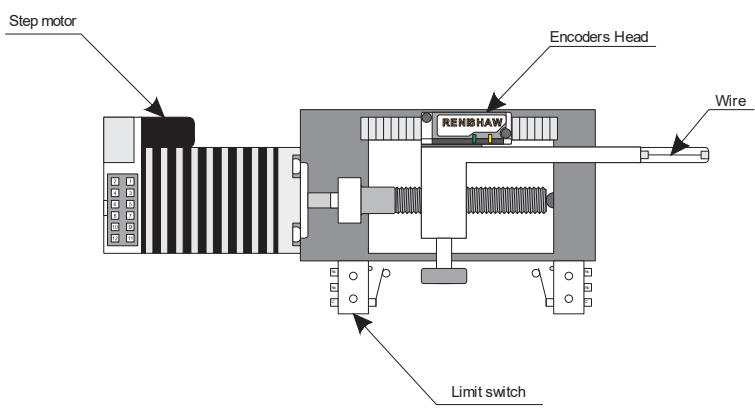
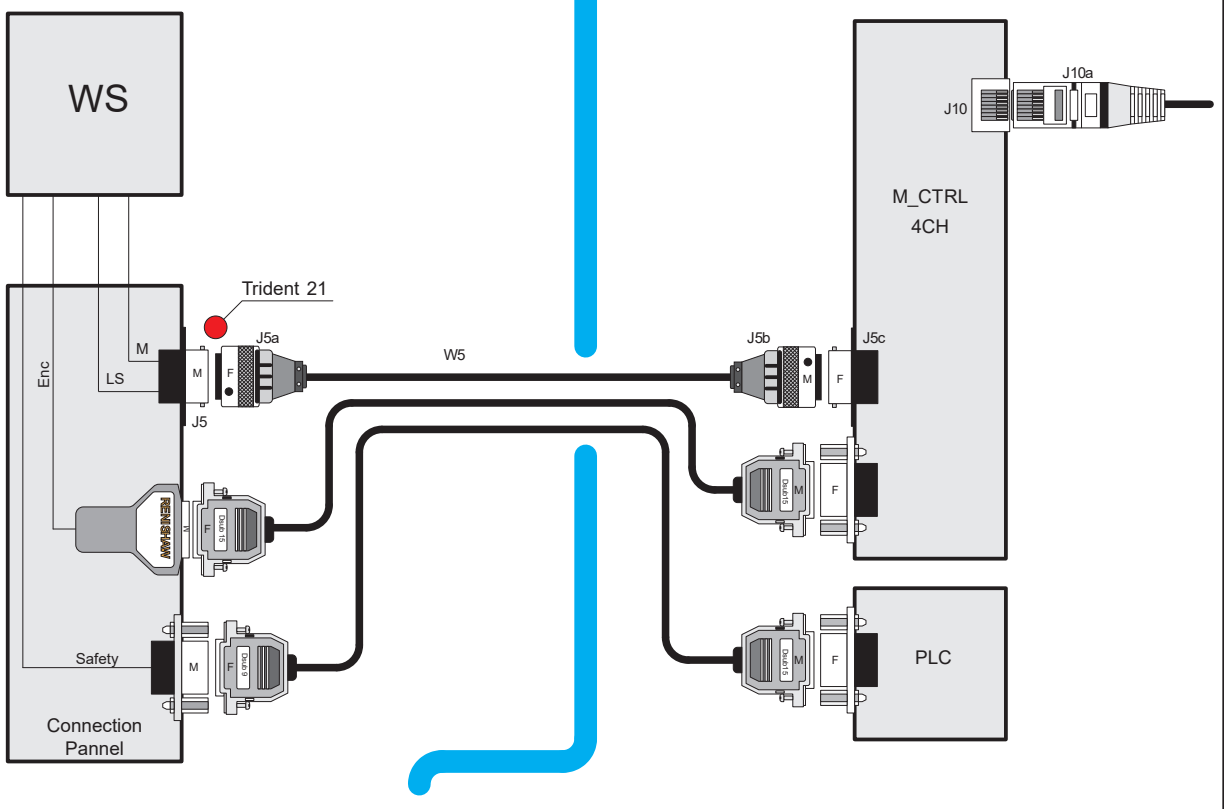
TUNNEL S. AREA

D

C

B

A

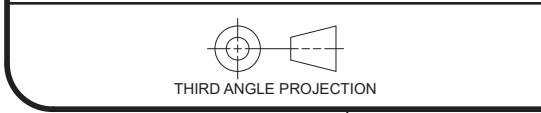


| | |
|----------------------|--------------------|
| DRAFTER Sandi G. | DATE 14. 11. 16 |
| DESIGNER Sandi G. | DATE 14. 11. 16 |

NOTICE OF PROPRIETARY PROPERTY :
 THE INFORMATION CONTAINED HEREIN IS THE PROPRIETARY PROPERTY OF DR. SANDI G.. THE POSSESSOR AGREES TO THE FOLLOWING :
 (i) TO MAINTAIN THIS DOCUMENT IN CONFIDENCE
 (ii) NOT TO REPRODUCE OR COPY IT
 (iii) NOT TO REVEAL OR PUBLISH IT IN WHOLE OR PART
 (iv) ALL RIGHTS RESERVED

E-ST ESS DIA PDR 001

| | |
|--|-----------|
| TITLE M_CTRL to Derivation Box to WS Connection | |
| DRAWING NUMBER | REV. C |



SIZE
A4

SCALE
NONE

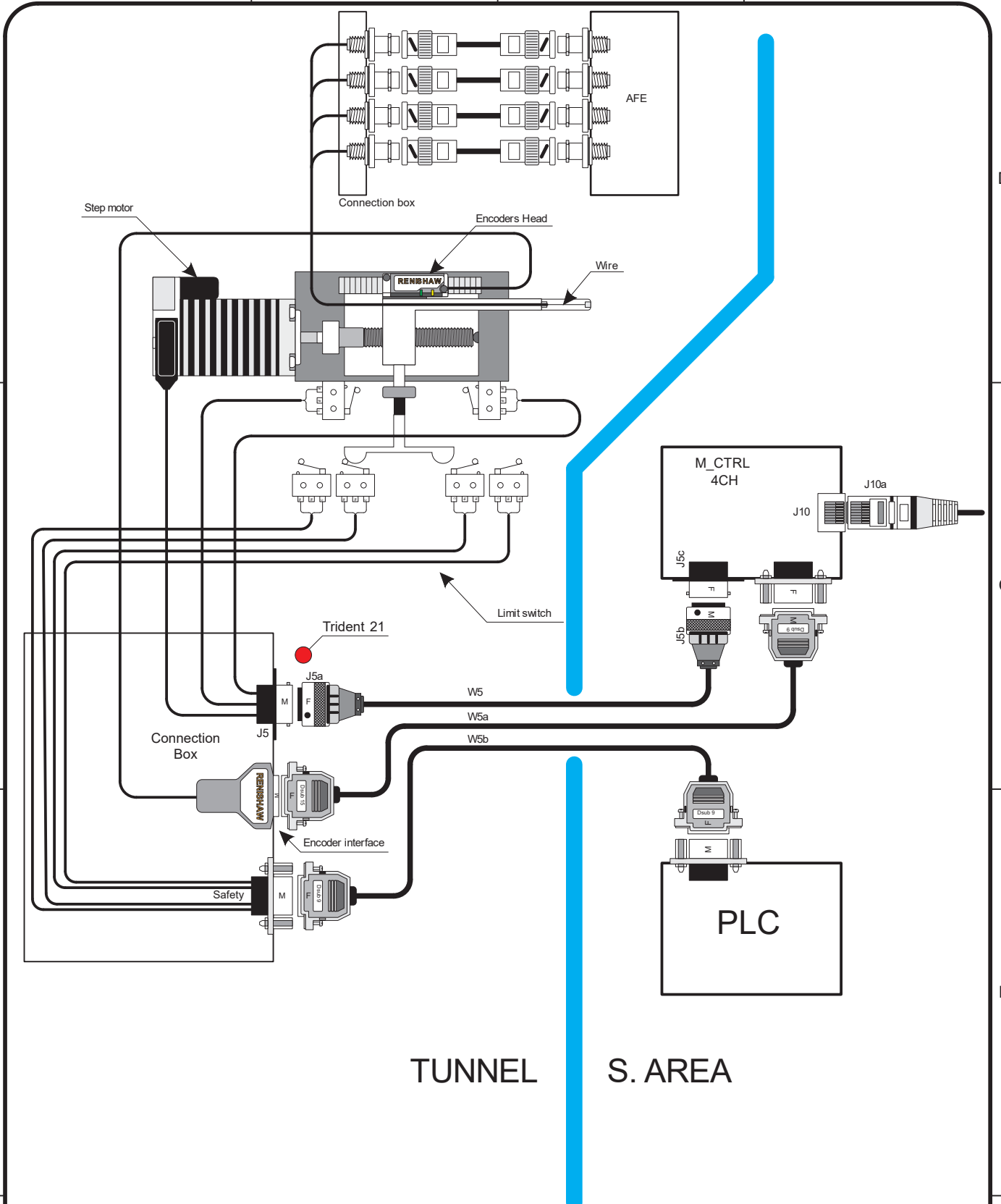
SHT 1 OF 1

4

3

2

1



| | | | |
|----------|----------|------|------------|
| DRAFTER | Sandi G. | DATE | 14. 11. 16 |
| DESIGNER | Sandi G. | DATE | 14. 11. 16 |

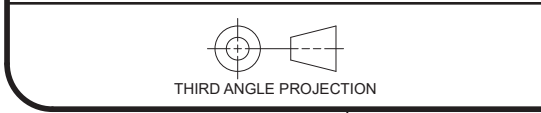
NOTICE OF PROPRIETARY PROPERTY :

THE INFORMATION CONTAINED HEREIN IS THE PROPRIETARY PROPERTY OF DR. SANDI G.. THE POSSESSOR AGREES TO THE FOLLOWING :

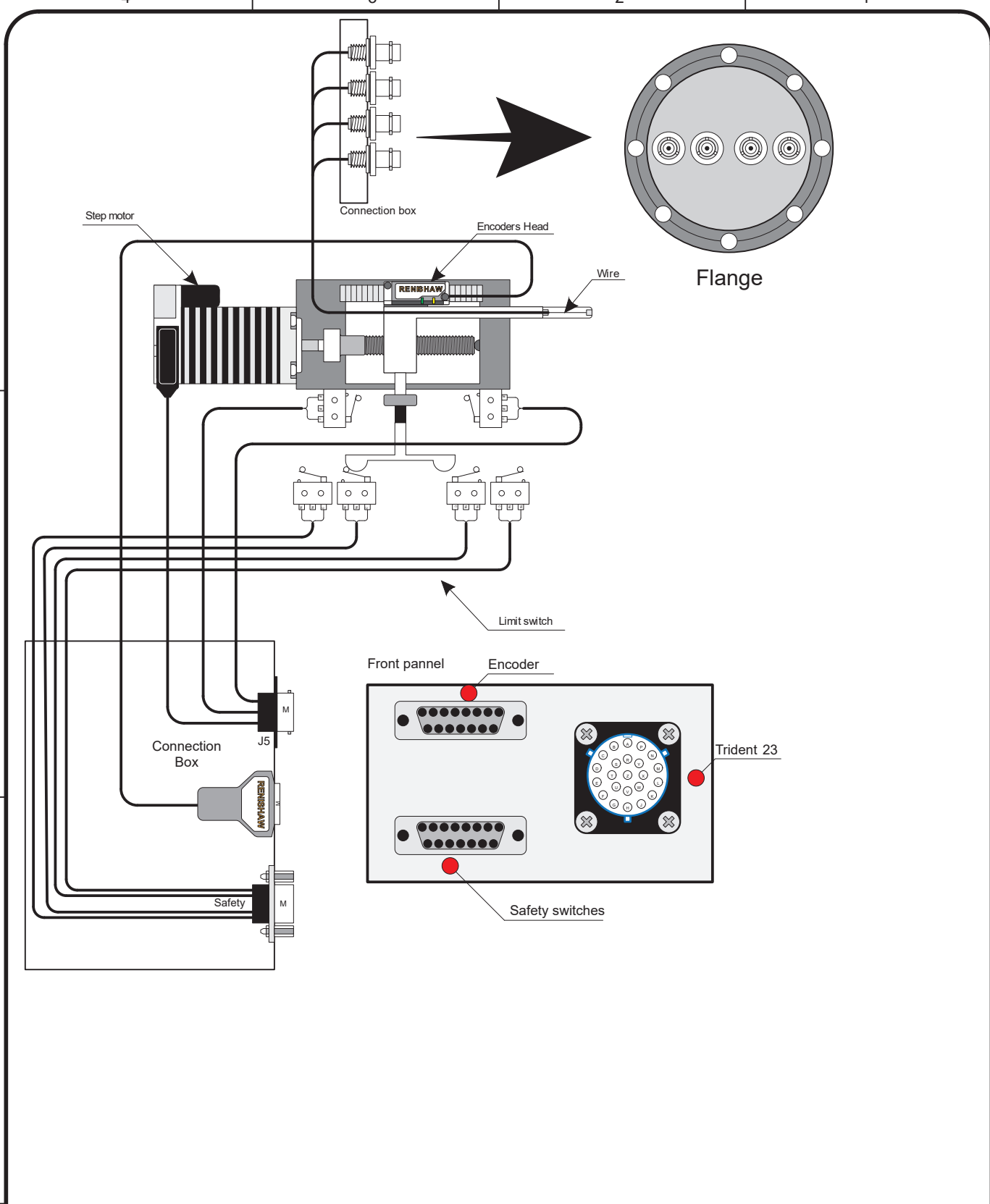
- (i) TO MAINTAIN THIS DOCUMENT IN CONFIDENCE
- (ii) NOT TO REPRODUCE OR COPY IT
- (iii) NOT TO REVEAL OR PUBLISH IT IN WHOLE OR PART
- (iv) ALL RIGHTS RESERVED

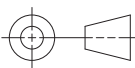
E-ST ESS DIA PDR 001

| | | | |
|----------------|--|-------------------------|------|
| TITLE | | M_CTRL to WS Connection | |
| DRAWING NUMBER | | | REV. |
| | | | C |



| | | | | | | | |
|------|----|-------|------|-----|---|----|---|
| SIZE | A4 | SCALE | NONE | SHT | 1 | OF | 1 |
|------|----|-------|------|-----|---|----|---|



| | | | | |
|---|--|--------------------|--|---------------|
| DRAFTER Sandi G. | | DATE 14. 11. 16 | NOTICE OF PROPRIETARY PROPERTY : THE INFORMATION CONTAINED HEREIN IS THE PROPRIETARY PROPERTY OF DR. SANDI G.. THE POSSESSOR AGREES TO THE FOLLOWING : (i) TO MAINTAIN THIS DOCUMENT IN CONFIDENCE (ii) NOT TO REPRODUCE OR COPY IT (iii) NOT TO REVEAL OR PUBLISH IT IN WHOLE OR PART (iv) ALL RIGHTS RESERVED | |
| DESIGNER Sandi G. | | DATE 14. 11. 16 | | |
| E-ST ESS DIA PDR 001 | | | TITLE M_CTRL to WS Connection | |
| | | | DRAWING NUMBER | |
|  THIRD ANGLE PROJECTION | | SIZE A4 | SCALE NONE | SHT 1 OF 1 |